

BioPrism® Solid Surface Installation Instructions Shower Receptor/Base

for use with Trench Receptors

Please read all instructions before installing products.

STORAGE & HANDLING:

Check for damage that may have occurred during transit. Keep receptor flat on pallet, as it was shipped, until ready to install. Allow receptor to acclimate to room temperature (65°F - 75°F, 18°C - 23°C), for 24 hours, prior to handling. When handling, make sure to keep the receptor flat and level, use two people. A pallet jack or flat cart is recommended for transporting. *DO NOT LEAN RECEPTOR ON ITS SIDE. THIS WILL DAMAGE THE WATER BARRIER.*

BEFORE INSTALLATION:

Confirm that the sizes, styles, and colors are the same as your order. Check all specifications to ensure that you have the right receptor for the job. For orders with multiple room numbers, upon request, each receptor will be tagged with the room number on it.

RECOMMENDED TOOLS:

Safety glasses, dust masks, tape measure, caulking gun, 4-foot (122 cm) level, shims, 1/2" x 1/2"(12.7 mm) square notch trowel, T10H x 80 pin-in torx driver, core drill with 6" diameter bit, provided grate removal tool.

MORTAR, ADHESIVES AND SEALANTS:

For substrate deviation or voids greater than 1/2" (12.70 mm) use Type N mortar mix, follow the manufacturer's instructions. Use thin-set type mortar for substrate deviation or voids less than 1/2" (12.70 mm). Apply enough mortar to fill all voids in substrate and level the receptor with shims as necessary.

Bonding: Translucent 100% Silicone Sealant

Sealants: Translucent 100% Silicone Sealant or color matched caulk

ROUGH-IN SPECIFICATIONS:

- Refer to custom order forms and/or order drawings for drain location of each receptor.
- Stud opening should be larger than receptor, see table on page 5
- Minimum 6" Diameter Core Hole
- Use Inpro's "Trench Receptor Measurement Guide" for size calculations.

IPC.1989/REV.6

Installation Hotline • 866.EZINPRO

Inprocorp.com • 800.222.5556 • 262.679.9010

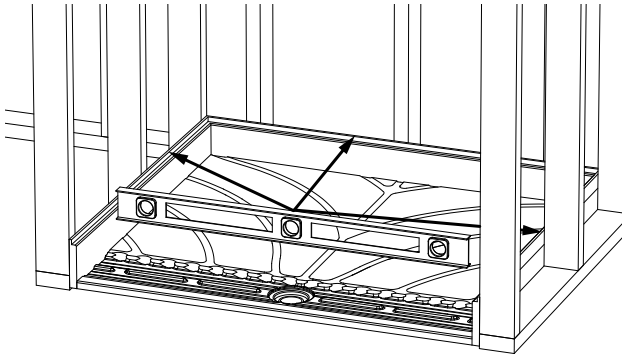
World Headquarters S80 W18766 Apollo Drive, Muskego, WI 53150 USA

ENDURANT® •
WASHROOM SYSTEMS

BioPrism® Solid Surface Installation Instructions Shower Receptor/Base

for use with Trench Receptors

FIG.1



INSTALLATION OF THE SHOWER RECEPTOR/BASE

Note:

- Receptor is installed before green board/cement board or other wall substrate.
- 6" core hole is required at drain location before receptor installation.

1. Using the 4-foot (122cm) level, make sure floor substrate is level. Place shims as needed to level.

2. Dry fit the receptor, there should be a 3/16" gap from the stud walls. For the brass drain assembly, cut the drain pipe flush with the floor.

3. Using the 4-foot (122cm) level, check for level in the locations shown (i.e. side to side and front to back). Make necessary changes, to shims, to level receptor. See Figure 1.

Note:

- Water Barrier **MUST** be level to allow for proper water drainage.

4. Remove receptor from the opening. Mix the mortar. Apply enough mortar to support the receptor, in between shims, and be careful not to move the shims. See Figure 2.

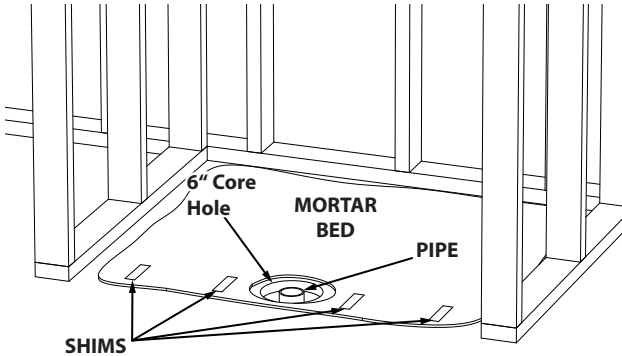
Note:

- If adhering the receptor to a wood floor substrate, use 100% silicone and place large drops, every 12" (30cm) square, on the floor area to be covered.

5. Install drain assembly. See manufacturer's installation instructions and instructions on pages 3 and 4.

6. Return the receptor to the opening and shift back-and-forth until it is resting firmly on the mortar bed and shims. Confirm receptor is still level in all directions. See Figure 1. Adjust if necessary. After mortar is set, cut off any exposed shims. See Figure 3.

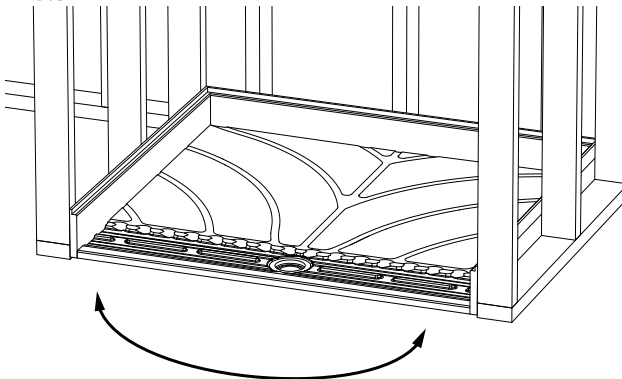
FIG.2



Note:

- For substrate deviations or voids greater than 1/2" (12.70mm), use a Type N mortar mix.
- For substrate deviations or voids less than 1/2" (12.70mm), use a thinset-type mortar mix.
- Underside of receptor may vary from level no more than 1/4" due to the curing process.

FIG.3



Installation Hotline • 866.EZINPRO

Inprocorp.com • 800.222.5556 • 262.679.9010

World Headquarters S80 W18766 Apollo Drive, Muskego, WI 53150 USA

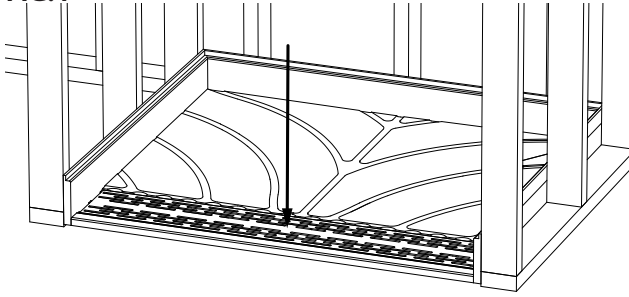
ENDURANT®
WASHROOM SYSTEMS

BioPrism® Solid Surface

Installation Instructions Shower Receptor/Base

for use with Trench Receptors

FIG.4



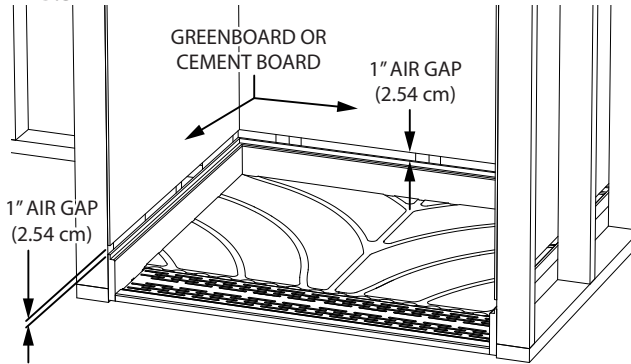
INSTALLATION OF THE SHOWER RECEPTOR/BASE

7. Install trench drain grate. *See Figure 4.*

Note:

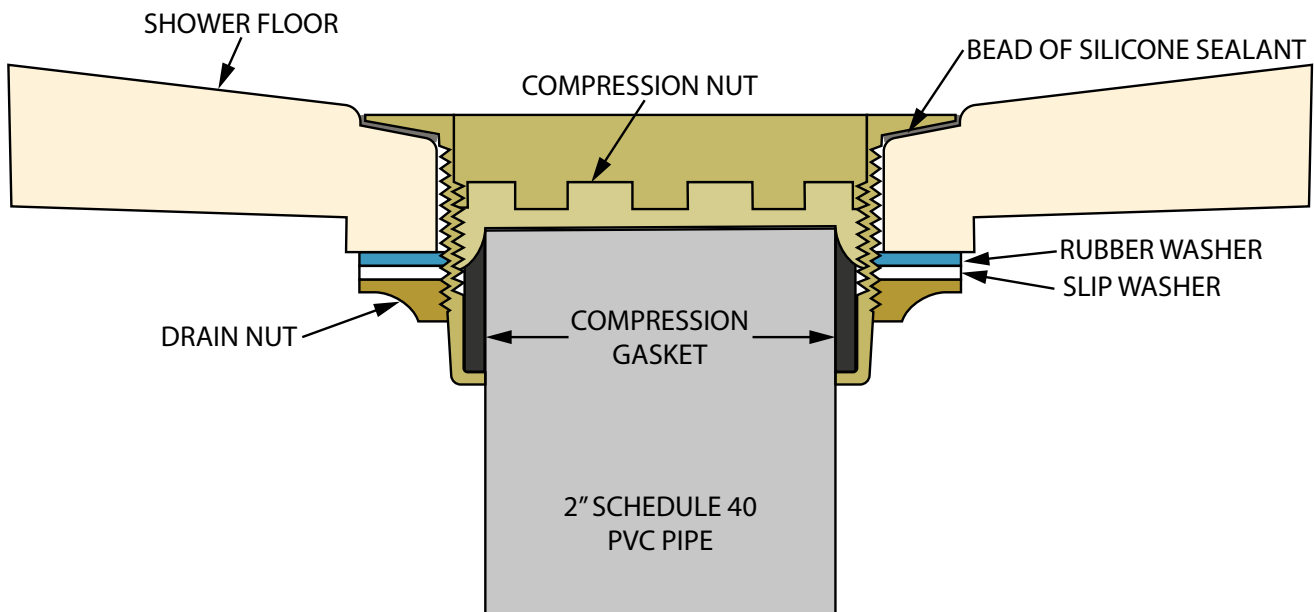
- There are two grate fastening options, screw down or magnetic hold down.
- When using the screw down option hand tighten screws, they should only be snug. Over tightening the screws could lead to the inserts being pulled out of the receptor base.
- When using the magnetic hold down option, carefully place the grate over the magnets using the provided grate removal tool as a spacer. Once the grate is in place slowly slide the tool out to engage the magnets. Using the removal tool will help prevent pinching fingers.
- If you do not have the provided grate removal tool, use a non-marring tool made of wood or plastic.

FIG.5



8. Install green board/cement board or other wall substrate, stopping 1" (2.54cm) above the water barrier. *See Figure 5.*

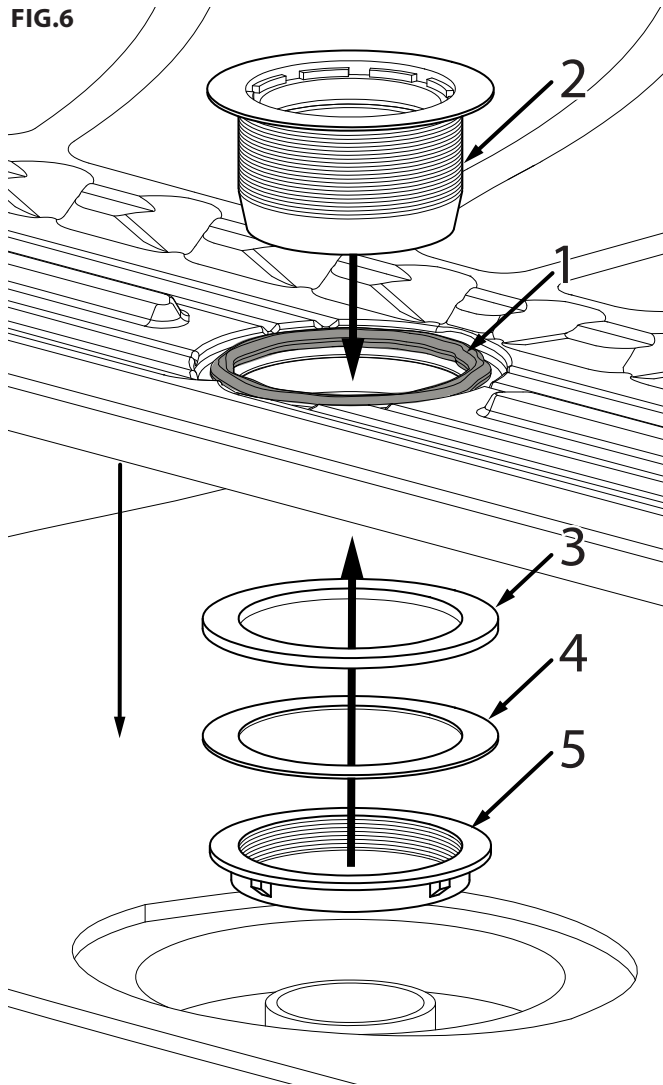
DRAIN INSTALLATION DIAGRAM



BioPrism® Solid Surface Installation Instructions Shower Receptor/Base

for use with Trench Receptors

FIG.6



DRAIN INSTALLATION INSTRUCTIONS

1. Apply a bead of silicone sealant to form a water tight seal. *See Figure 6 Item 1.*
2. Insert the drain body (*Figure 6 Item 2*) into the drain opening, apply light pressure to seat the drain body in the bead of silicone sealant.
3. Slide the rubber washer (*Figure 6 Item 3*) and fiber gasket (*Figure 6 Item 4*) onto the end of the drain body that is sticking out of the receptor base.
4. Thread the locking nut (*Figure 6 Item 5*) onto the end of the drain body, tighten the nut to secure the drain assembly to the receptor base.

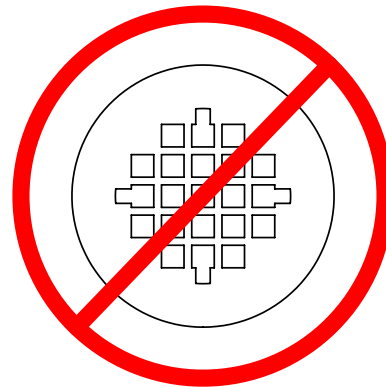
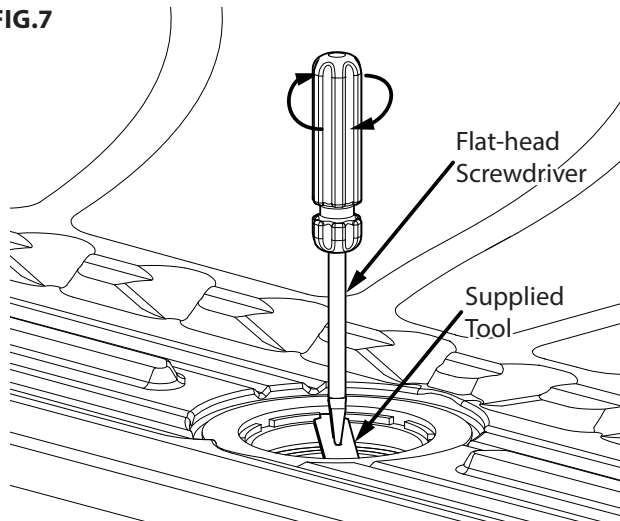
Note:

- Do not over tighten the locking nut, this could crack the receptor base.
 - Clean any excess silicone that squeezes out with denatured alcohol and white paper towel or clean rags.
5. Carefully lower the receptor over the 2" (5.08cm) Schedule 40 DWV pipe. If you **DO NOT** have a 2" (5.08cm) Schedule 40 DWV pipe, you will need a different rubber sleeve compression gasket for the drain assembly. Please contact your local plumbing supplier.
 6. Using the supplied tool and a flat-head screwdriver, tighten the compression nut to tighten the compression sleeve onto the drain pipe. *See Figure 7.*

Note:

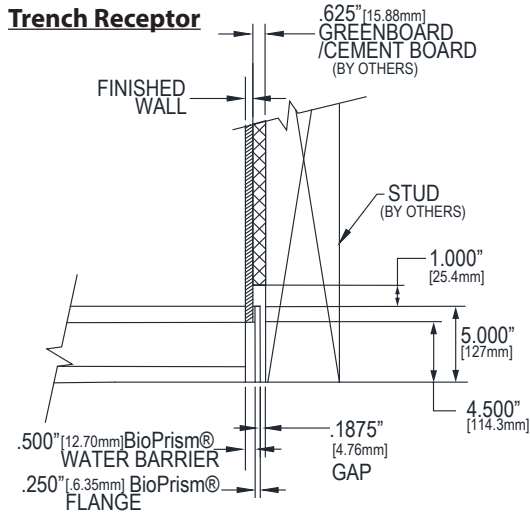
- Do not install strainer if drain is equipped with one.

FIG.7



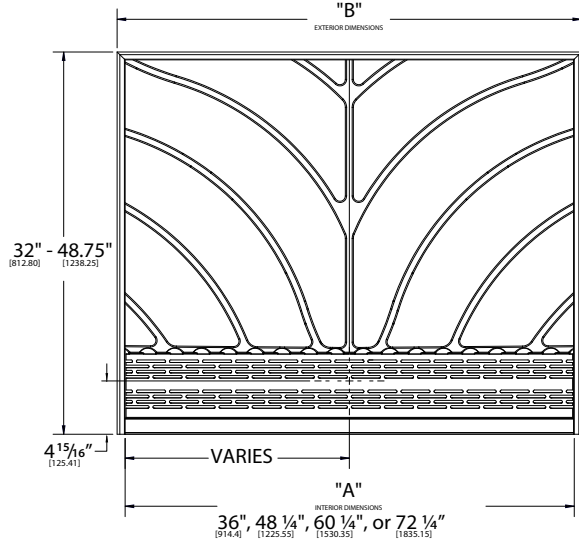
BioPrism® Solid Surface Installation Instructions Shower Receptor/Base

for use with Trench Receptors



Dimension Table

- Receptor to be held off the studs by 3/16" per side



TRENCH RECEPTOR IS AVAILABLE IN 4 WIDTHS AND 32" (812.80) - 48.75" (1238.25) DEPTHS. (TRENCH IS A FIXED LOCATION) DIMENSIONS IN [] ARE IN MM

"A" ± 1/8" [3.175]	"B" ± 1/8" [3.175]/-0" [0]	Rough-in Dimensions
Inside dimension, Wall to Wall with 5/8" Substrate	Outside Receptor Dimension	
36" [914.4]	37 1/2" [952.5]	37 7/8" [962.03]
48 1/4" [1225.55]	49 3/4" [1263.65]	50 1/8" [1273.18]
60 1/4" [1530.35]	61 3/4" [1568.45]	62 1/8" [1578]
72 1/4" [1835.15]	73 3/4" [1873.25]	74 1/8" [1873.25]

Use Inpro's "Trench Receptor Measurement Guide" for custom size calculations.

INSTALLATION OF THE SHOWER RECEPTOR/BASE

1. When installing a trench drain receptor recess the receptor into the floor (see table below). Cutting into the floor may be required to meet ADA requirements. Allow for the finish flooring when making all measurements and cuts. See Figure 8.

Concrete construction - Remove concrete from the receptor location using a concrete grinder or a circular saw and masonry blade.

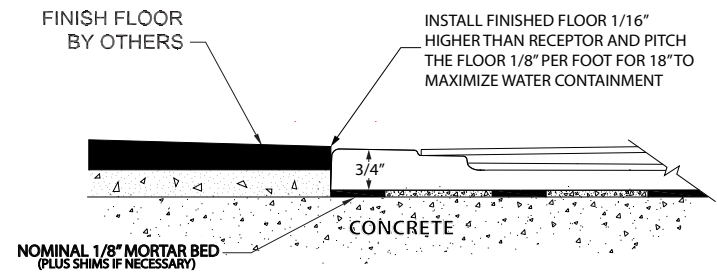
Concrete Grinder - Grind 3/16" - 1/4" (4.75mm - 6.35mm) of concrete per pass from the receptor location. After the first pass, remove additional material with a second pass 90° to the first. Continue this procedure until the required depth is achieved. Remove material from corners with a hammer and cold chisel.

Circular Saw - Set the depth of the blade to the required distance. Make multiple cuts in the concrete. After cutting, knock out the concrete with a hammer and cold chisel.

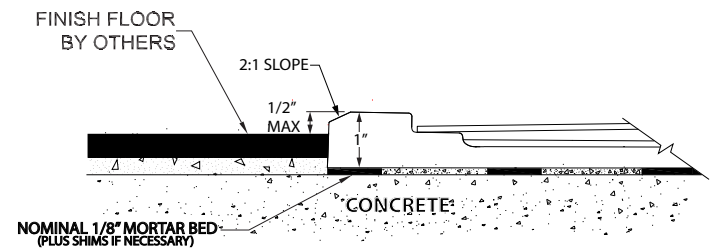
Wood Construction or Non-Recessed Concrete Slab

Build up finish floor to necessary height or include a ramp to threshold to complete installation.

FIG.8



IF YOU CAN'T FLOAT AND PITCH YOUR FLOOR AS SHOWN ABOVE, IT IS RECOMMENDED THAT YOU GET THE OPTIONAL 1/4" THRESHOLD, TO PREVENT WATER FROM ESCAPING THE SHOWER. THE DISTANCE FROM THE TOP OF THE THRESHOLD TO THE FLOOR IS TO BE 1/2" MAX IN ORDER TO MAINTAIN ADA COMPLIANCE, SEE BELOW.



Installation Hotline • 866.EZINPRO

Inprocorp.com • 800.222.5556 • 262.679.9010

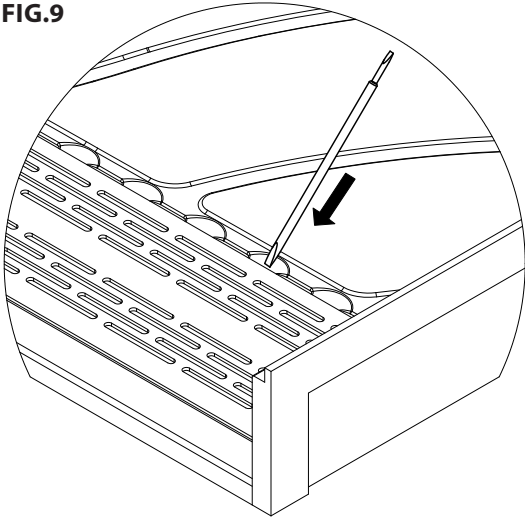
World Headquarters S80 W18766 Apollo Drive, Muskego, WI 53150 USA

ENDURANT®
WASHROOM SYSTEMS

BioPrism® Solid Surface Installation Instructions Shower Receptor/Base

for use with Trench Receptors

FIG.9



MAGNETIC GRATE REMOVAL INSTRUCTIONS

1. Slide the grate removal tool into one of the water channels along the inside edge of the grate. *See Figure 9.*
2. Press the grate removal tool down towards the receptor, this should break the bond between the magnets in this section of the trench. *See Figure 10.*
3. Grip the loose edge of the grate and pull up. *See Figure 11.*

Note:

- Moderate force may be required to remove the grate, the magnets exert a lot of force.
- Do not get your fingers in between the grate and the base when removing or installing the grate, injury may occur.

FIG.10

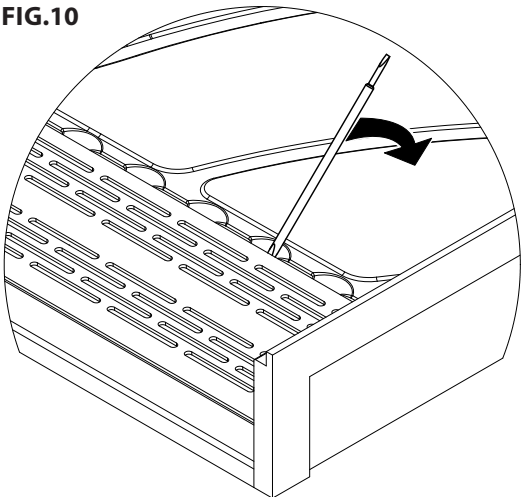
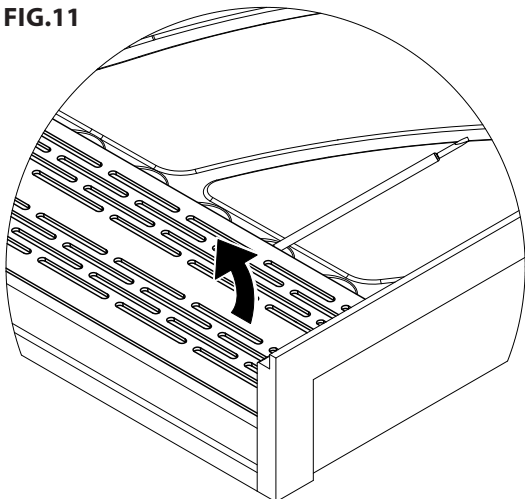


FIG.11



Installation Hotline • 866.EZINPRO

Inprocorp.com • 800.222.5556 • 262.679.9010

World Headquarters S80 W18766 Apollo Drive, Muskego, WI 53150 USA

ENDURANT®
WASHROOM SYSTEMS