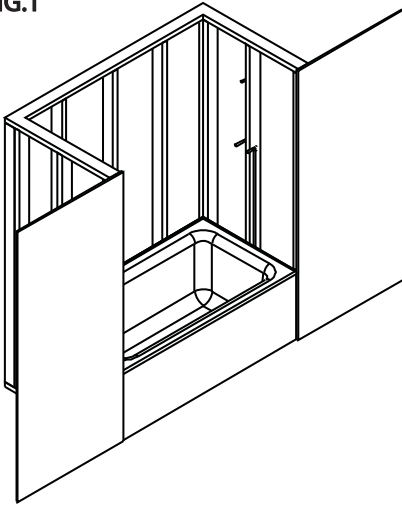


BioPrism® Solid Surface Installation Instructions Tub Surrounds

Please read all instructions before installing products.

FIG.1



Note: Substrate Preparation

InPro® Corporation recognizes the following latex primer products as safe to use in conjunction with its BOSS 385 100% silicone adhesive for BioPrism® Solid Surface vertical wall cladding applications.

• Sherwin Williams PrepRite® Pro Block® Interior /Exterior, Latex Primer /Sealer

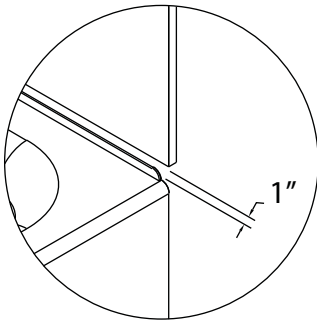
• Sherwin Williams ProMar® 200 Zero VOC Interior Latex Primer

• KILZ Clean Start® Primer/Sealer/Stain blocker

Failure to use one of these outlined approved primer products will result in termination of the InPro® Warranty for BioPrism® Solid Surface.

1. Tub should be in position and secured to the stud walls in accordance with the manufacturer's installation instructions. *See Figure 1.*
2. Install green board/cement board 1" above the tub flange. *See Figure 2.*
3. Measure the back wall to determine if the back panel requires trimming. Allow 1/8" for expansion between two walls. Use a belt sander with #24 or #36 sandpaper or a saber saw to trim panels. DO NOT trim the finished edges of panels.

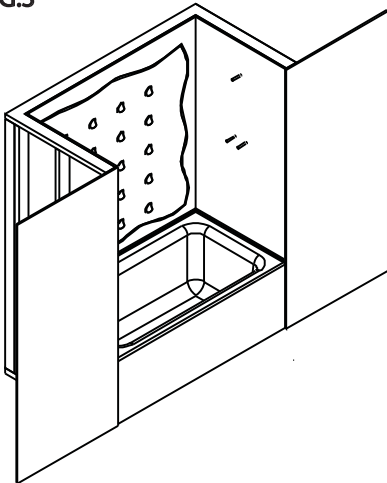
FIG.2



Note:

- when sanding or cutting panels, always support panels properly.
- Showers with seats - Notch the rear wall panel to ride over the integral water guard barrier.
- When installing BioPrism® Solid Surface Decorative Panels on a receptor that is not level, scribe and cut the bottom edge to keep tile lines level and plumb. Keep side panels and back panel tile lines aligned.

FIG.3



4. Wipe the back of the panels making sure they are clean, dry, and free of dirt and grease. Apply a bead of clear adhesive, on the wall, within 3" of the perimeter of the panel and Quarter Coin-sized drops of clear adhesive spaced 10" apart over the remaining field. Position the panel on the wall and press into place. *See Figure 3.*

IPC.1301/REV.5

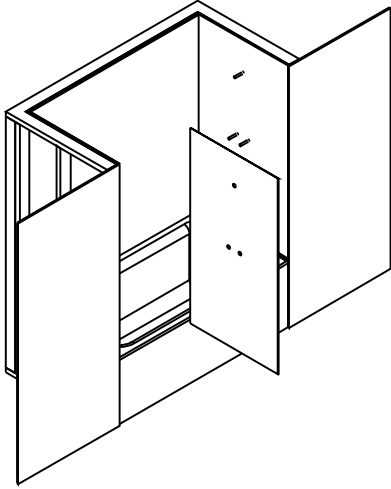
Installation Hotline • 866.EZINPRO
Inprocorp.com • 800.222.5556 • 262.679.9010
World Headquarters S80 W18766 Apollo Drive, Muskego, WI 53150 USA

ENDURANT® •
WASHROOM SYSTEMS

BioPrism® Solid Surface

Installation Instructions Tub Surrounds

FIG.4



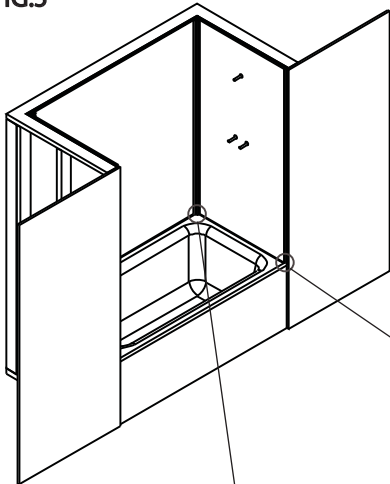
5. Mark the side panels for the location of any plumbing fixtures. Drill or cut holes of an appropriate size in the marked locations using carbide tipped drill bits or saws. Drill from the face side and cut from the back side. Cutting can be done on the front side if the surface is protected with masking tape. Allow $\frac{1}{8}$ " for expansion in wall to wall installations. Always support the panels properly when drilling sanding or cutting. *See Figure 4.*

6. Wipe the back of the panels making sure they are clean, dry, and free of dirt and grease. Apply a bead of adhesive, on the wall, within 3" of the perimeter of the panel. Apply $1\frac{1}{2}$ " diameter portions of adhesive, spaced 12" apart, over the remaining field. Apply a solid band of adhesive 3" x 72" on the outer edge of each side panel to provide added support for shower door installation.

7. Position the panel and press into place. Brace panels for 24 hours after installation.

8. Caulk perimeter joints and all seams using silicone sealant. Clean up excess caulk with denatured alcohol.

FIG.5

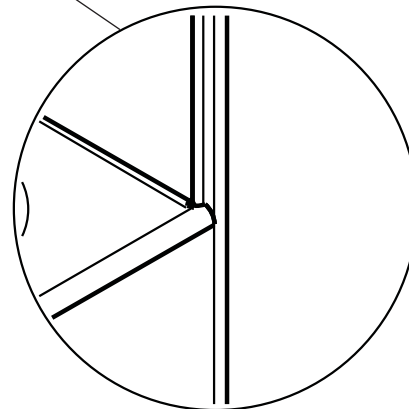
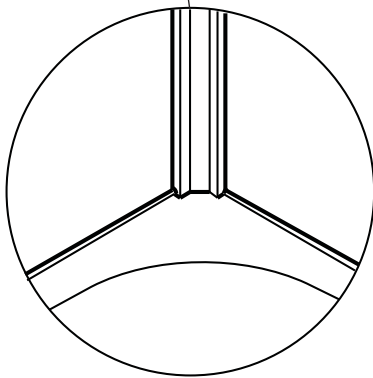


Installation of Batten Strips and Corner Moldings

1. Check the height of the product and belt sand if needed.

2. Wipe the back of the panels making sure they are clean dry and free of dirt and grease. Apply a thin bead of silicone/adhesive caulk to the outer edge of the corner molding and the back of the batten strip.

3. Position the components and temporarily tape them in place. Clean up excess caulk with denatured alcohol. *See Figure 5.*



Installation Hotline • 866.EZINPRO

Inprocorp.com • 800.222.5556 • 262.679.9010

World Headquarters S80 W18766 Apollo Drive, Muskego, WI 53150 USA

ENDURANT®
WASHROOM SYSTEMS