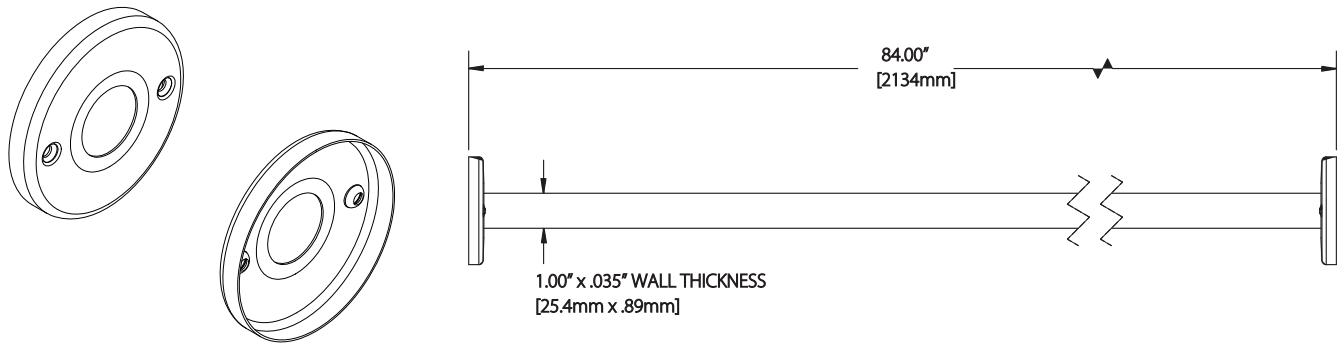
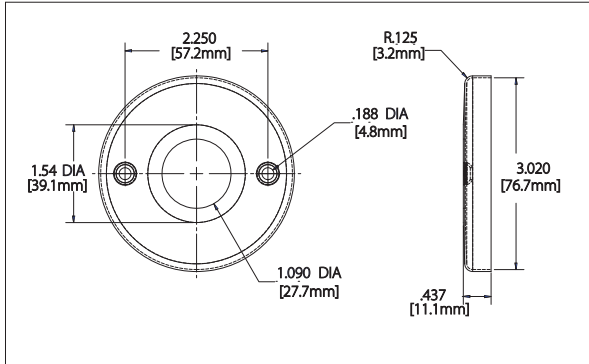


Straight Shower Rod - 84"

Technical Data



84" (2134mm) Straight Shower Rod - Model number CE100755 Light Duty 1" (25.4mm) Straight Shower Rod and Flange

Flange Construction: .031" (.79mm) thick, type 304 stainless steel. Includes two 3/16" (4.76mm) diameter mounting holes with formed countersink for #10 Oval Head Screws (by others).

Material: Type 304 Stainless Steel exposed mount shower rod flange.

Rod Construction: Type 304 Stainless Steel Tube, 1" (25.4mm) diameter x .035" (.89mm) wall thickness (20 gauge)
Finish – BS, Bright Stainless

Installation:

1. Use flange as template to locate the holes on both walls.
2. Drill holes in wall.
3. Fasten one flange to wall.
4. Insert on end of shower rod into fastened flange.
5. Slide the other flange onto the shower rod, position and fasten to the wall.

Caution: Flanges are only as strong as the anchoring devices and the wall on which is mounted.

IPC.1529/REV.3

Inprocorp.com • 800.222.5556 • 262.679.9010
World Headquarters S80 W18766 Apollo Drive, Muskego, WI 53150 USA

CLICKEZE®
PRIVACY SYSTEMS
A DIVISION OF INPRO®