

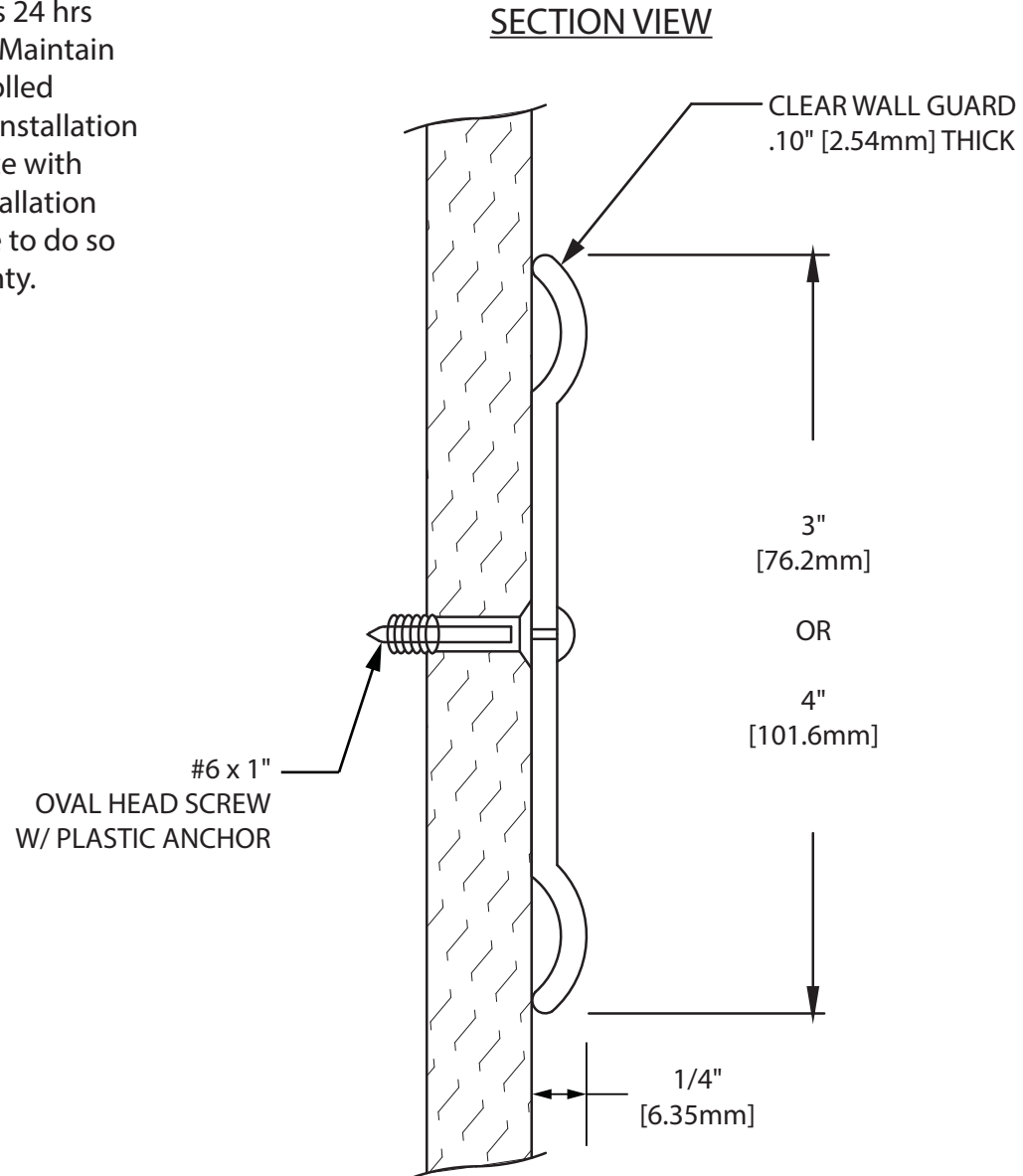
Installation Instructions

Clear Polycarbonate Wall Guard

Please read all instructions before installing wallguard.

Important

1. Acclimate materials 24 hrs before installation. Maintain temperature controlled environment after installation
2. Install in accordance with manufacturer's installation instructions. Failure to do so will void the warranty.



Recommended tools

Safety Glasses, Tape Measure, Level, Power Drill, 1/4" Socket, Drill Bits - 1/4" masonry (concrete/concrete block), Power Miter Saw, 10" Blade with 60-80 Carbide Tipped Teeth

IPC.375/REV.4

Installation Hotline • 866.EZINPRO
Inprocorp.com • 800.222.5556 • 262.679.9010
World Headquarters S80 W18766 Apollo Drive, Muskego, WI 53150 USA

IPC •
DOOR + WALL PROTECTION SYSTEMS
A DIVISION OF INPRO®

Installation Instructions

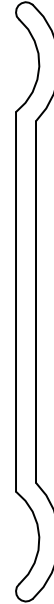
Clear Polycarbonate Wall Guard

Please read all instructions before installing wallguard.

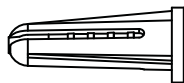
COMPONENTS AND FASTENERS



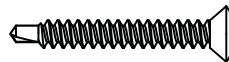
84
4" POLYCARBONATE
WALL GUARD



83
3" POLYCARBONATE
WALL GUARD



PLASTIC ANCHOR



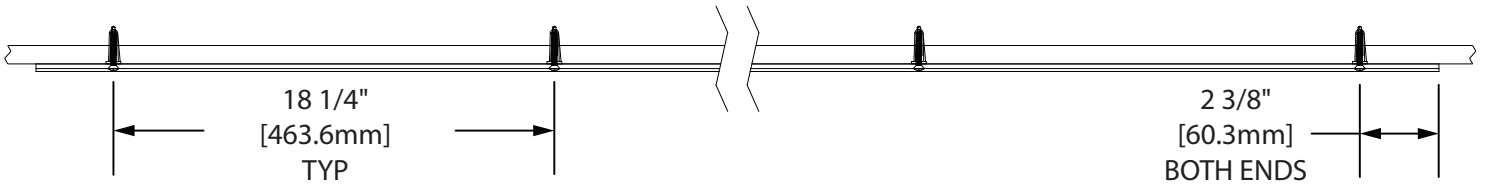
#6 x 1"
OVAL HEAD SELF
DRILLING SCREW

Installation Instructions

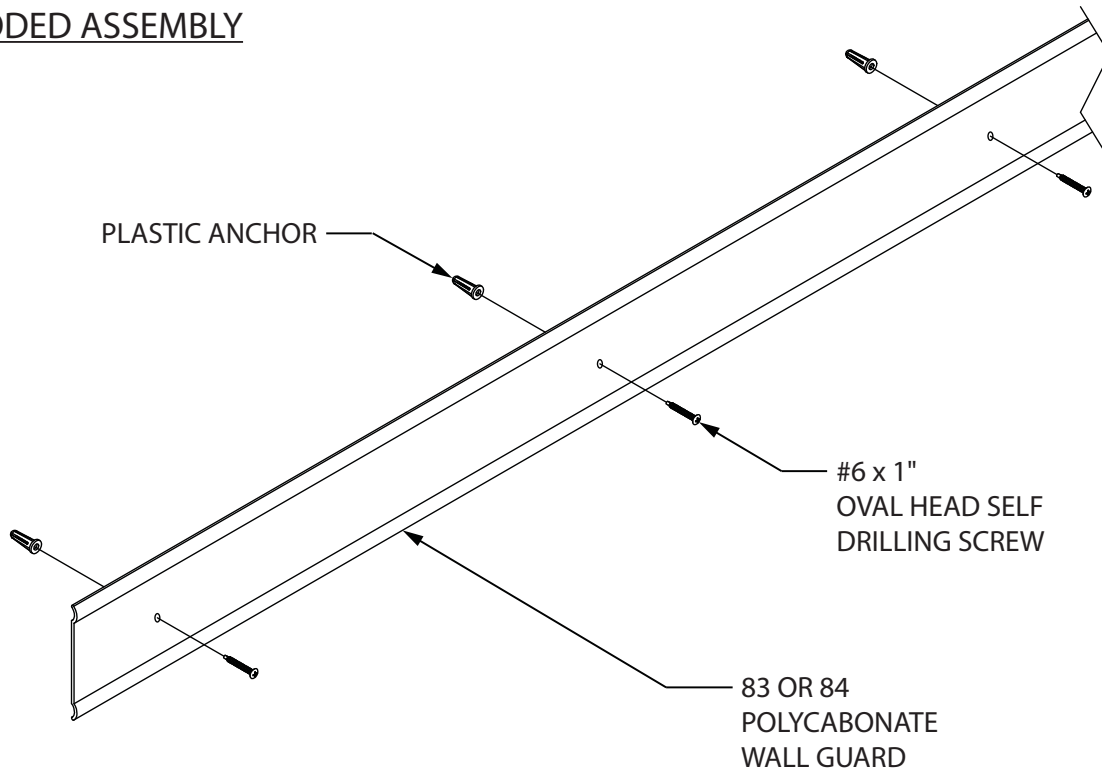
Clear Polycarbonate Wall Guard

Please read all instructions before installing wallguard.

LAYOUT VIEW



EXPLODED ASSEMBLY



Installation Hotline • 866.EZINPRO
Inprocorp.com • 800.222.5556 • 262.679.9010
World Headquarters S80 W18766 Apollo Drive, Muskego, WI 53150 USA

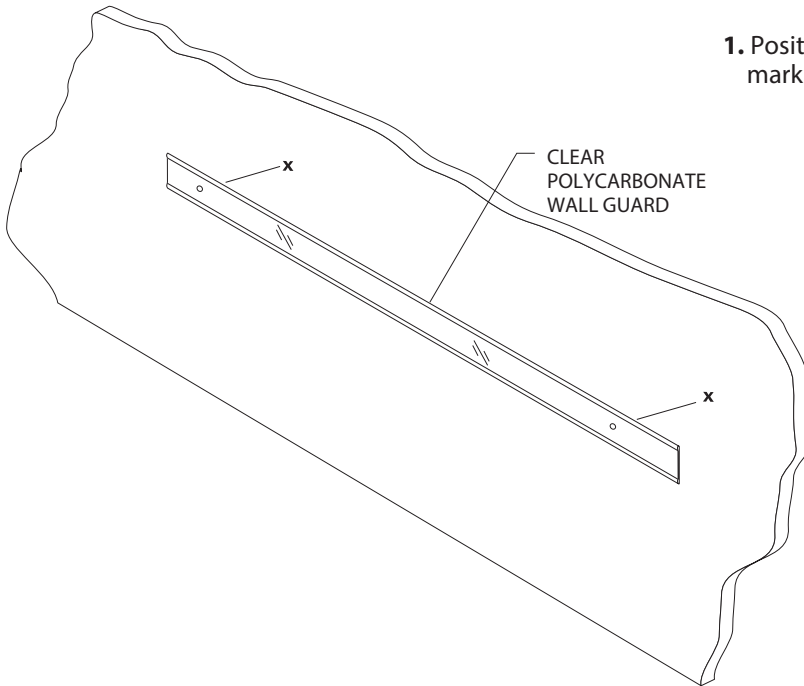
IPC®
DOOR + WALL PROTECTION SYSTEMS
A DIVISION OF INPRO®

Installation Instructions

Clear Polycarbonate Wall Guard

Please read all instructions before installing wallguard.

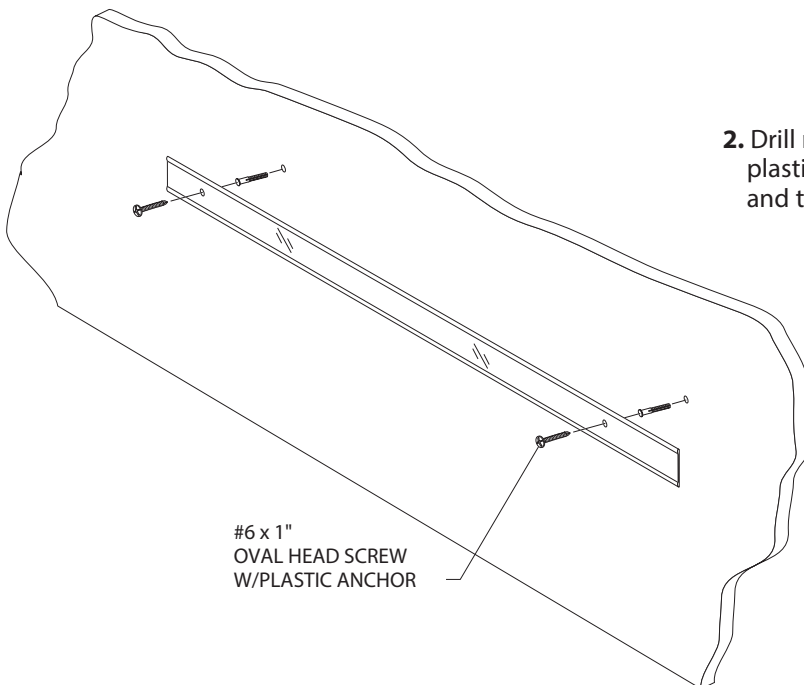
FIG. 1



Please read all instructions before installing wall guard.

1. Position wall guard on wall at desired height. Level and mark holes. See Figure 1.

FIG. 2



2. Drill marked holes on wall using a $\frac{3}{16}$ " drill bit. Push a plastic anchor into each hole. Mount wall guard on wall and tighten with provided screws to secure.