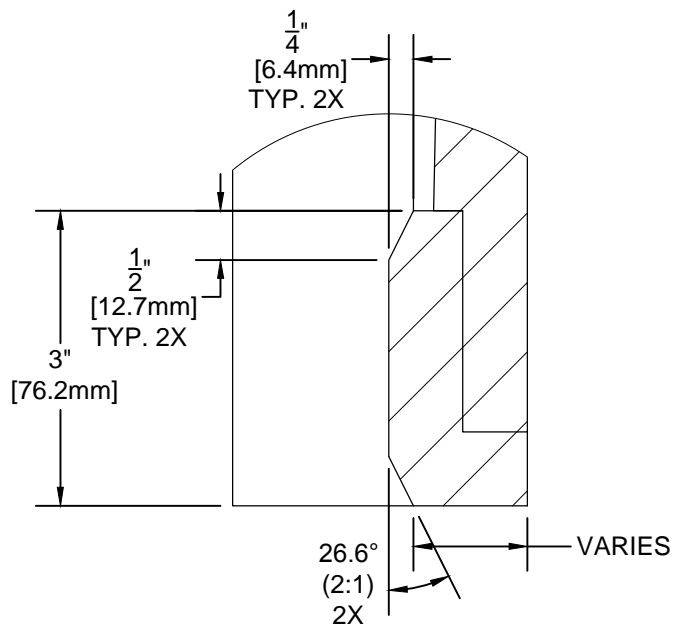


SECTION A-A



DETAIL B

**ENDURANT**  
WASHROOM SYSTEMS

DATE: 12.29.16  
SCALE: NTS  
DOC.CADEN.011/rev 2

CUSTOM BIOPRISM®  
RECEPTOR - ADA THRESHOLD

**inpro.**