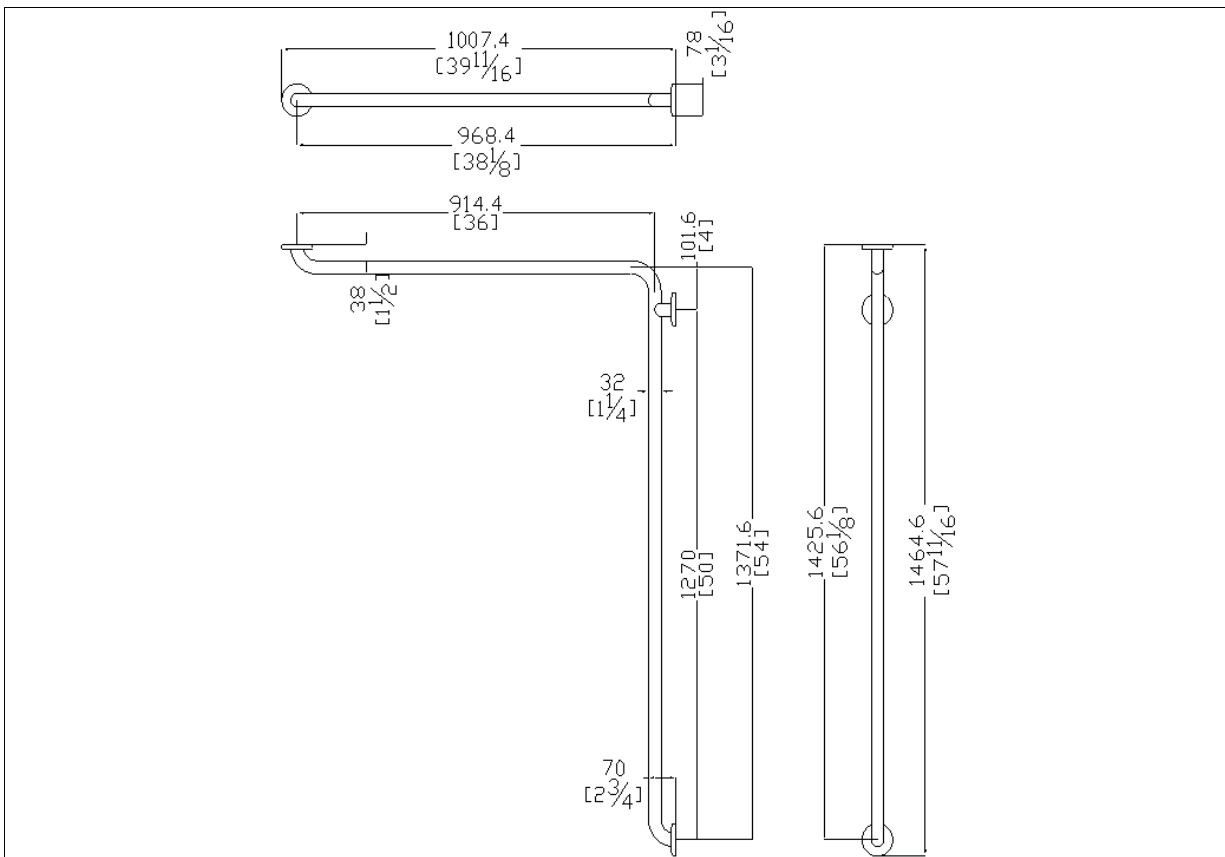


Corner Grab Bar

Technical Data



Corner grab bar \varnothing 32 mm made of seamless stainless steel AISI 304 pipe, with satin finish

Code **DSGBCS7ADA** Series **Stainless Steel Grabs Bars**

Net weight lb. Dimensions [WxDxH] In. 39 11/16x57 1/4x3 1/16

In use weight capacity Vertical lb. 330,69

Use and installation info

Use

Cleaning

Fasteners

Packaging information

Type of package

Dimensions [WxDxH] In. Weight lb.

Available Colours

STS/STN - Satin Stainless Steel



11/18/2015

Inprocorp.com • 800.222.5556 • 262.679.9010
World Headquarters S80 W18766 Apollo Drive, Muskego, WI 53150 USA

ENDURANT®
WASHROOM SYSTEMS
A DIVISION OF INPRO®