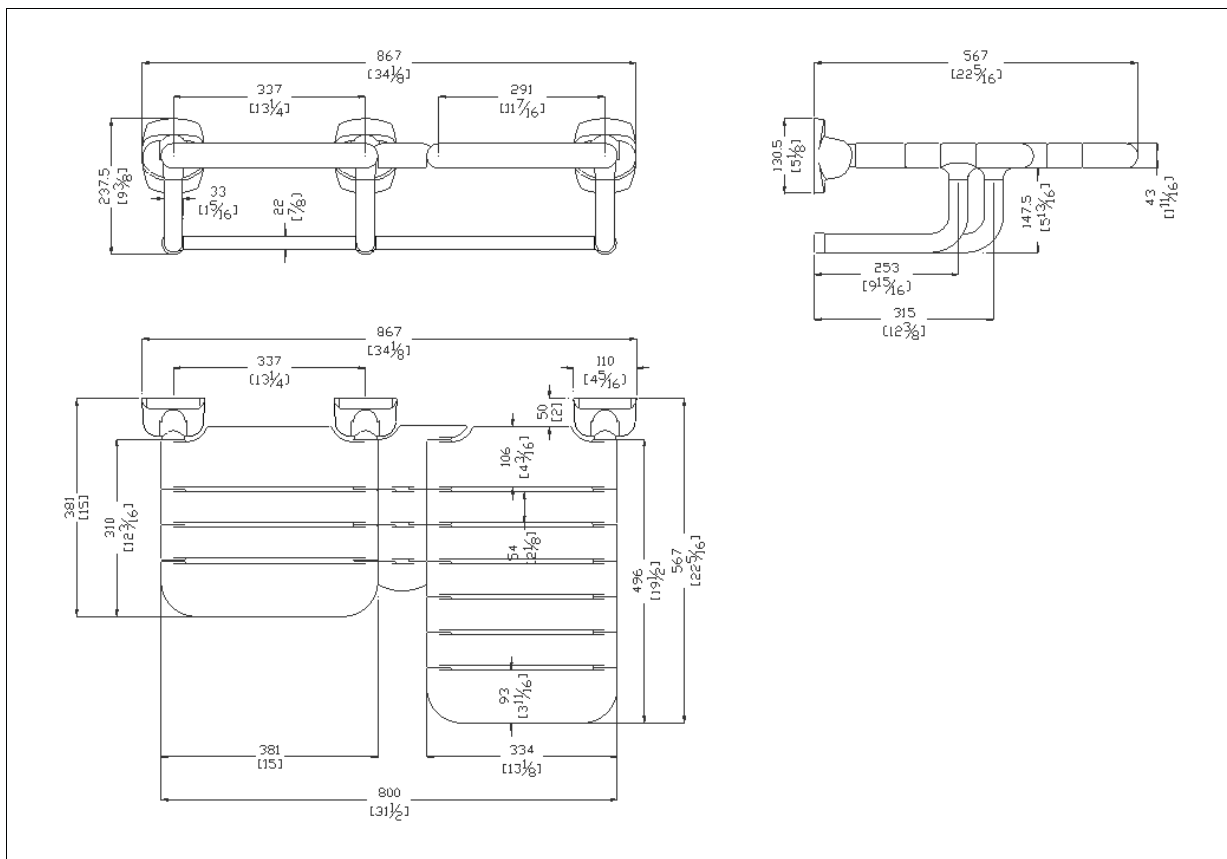


Double Folding Seat - Left

Technical Data



Double folding seat with nylon slats made of zinc-plated steel pipe, coated with antimicrobial, biocompatible, warm to the touch vinyl

Code **DSGBDFSLADA** **Series** **Vinyl Coated Tub & Shower Seats**

Net weight lb. 33,07 **Dimensions [WxDxH] In.** 34 1/8x22 5/16x9 3/8

In use weight capacity **Vertical lb.** 451,95

Use and installation info

Use

Cleaning

Fasteners

Packaging information

Type of package

Dimensions [WxDxH] In. *Weight lb.*

Available Colours

WHT - WHITE

IVRY - IVORY



11/18/2015

Inprocorp.com • 800.222.5556 • 262.679.9010
World Headquarters S80 W18766 Apollo Drive, Muskego, WI 53150 USA

ENDURANT®
WASHROOM SYSTEMS
A DIVISION OF INPRO®