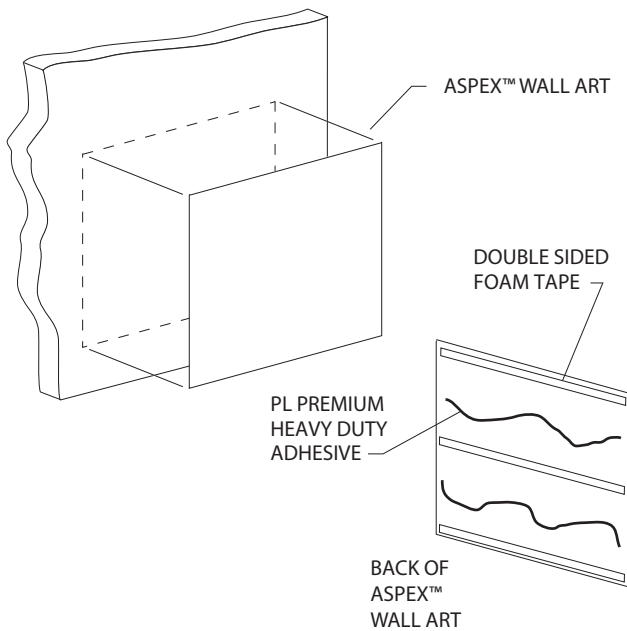


Installation Instructions

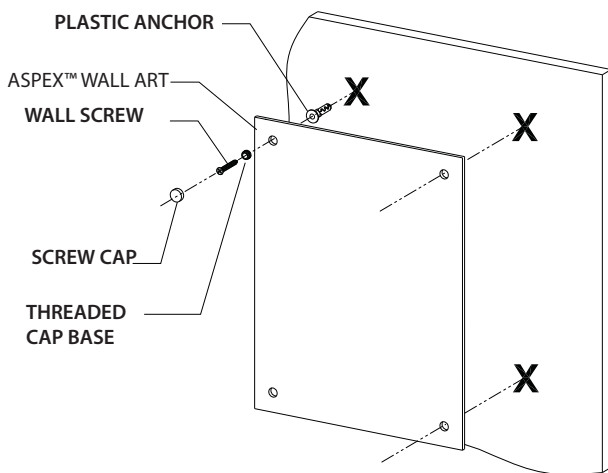
Aspex™ Digitally Printed Wall Art



Installation of Aspex™ Digitally Printed Wall Art with Foam Tape and PL Premium Adhesive.

Maximum size 36" x 36" (914mm x 914mm)

1. The wall must be dry, well sealed and free of dirt, loose paint, wax and grease.
2. Mark the location of the Aspex™ Wall Art on the wall.
3. Aspex™ Wall Art is applied using a combination of PL Premium Heavy Duty Adhesive and double sided foam tape.
4. Apply beads of PL Premium between the strips of foam in a zigzag pattern. Remove release liner from the double sided foam tape.
5. Position the sign on the wall making sure that the sign is level.
6. Press the sign to the wall making firm contact between the adhesive/foam tape and the wall surface.



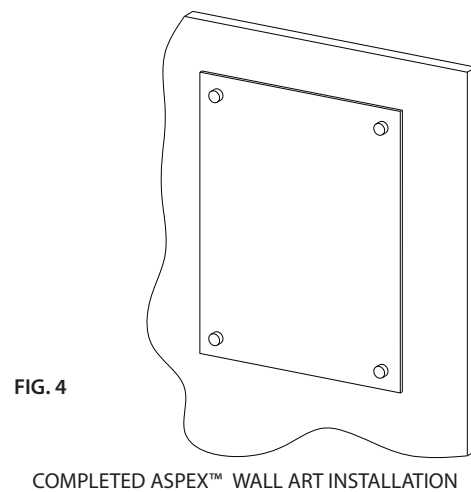
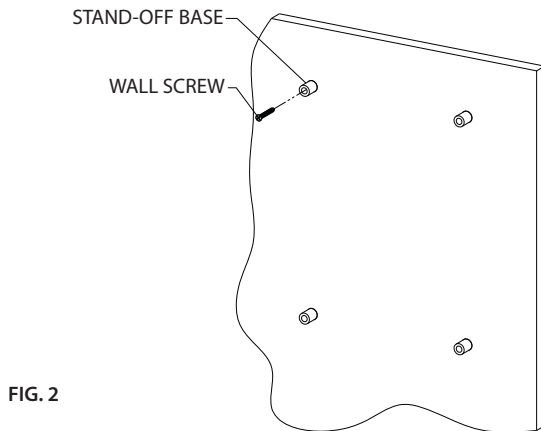
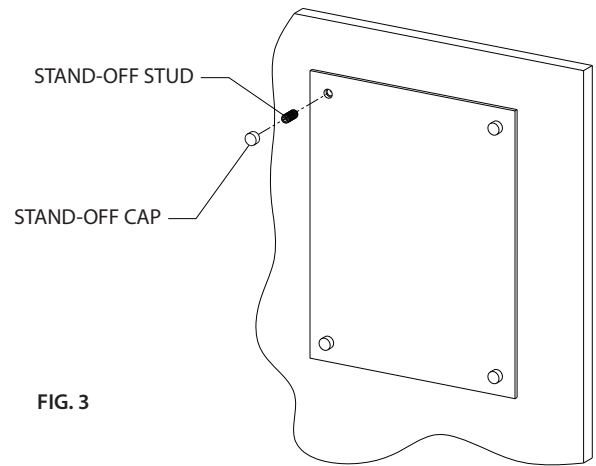
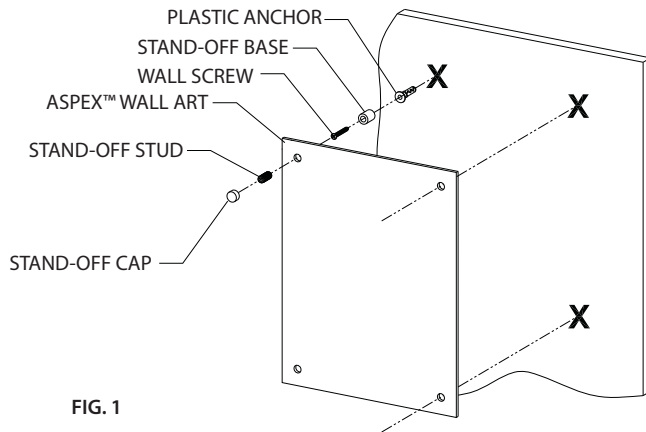
Installation of Aspex™ Digitally Printed Wall Art with Screw Caps

1. Determine the location of the Aspex™ Wall Art.
2. Use the Aspex™ Wall Art as a template to mark the hole locations.
 - a. Drywall, plaster or concrete installation: Drill a $\frac{5}{16}$ " hole $1\text{--}\frac{1}{4}$ " deep. Insert plastic wall anchors into the hole.
 - b. Mounting into wood: Drill a $\frac{3}{32}$ " pilot hole and do not use the plastic anchors.
3. Place the wall screw through the threaded cap base and the holes of the Aspex™ Wall Art. Attach Aspex™ Wall Art to the anchor or wood.
4. Screw the screw caps onto each threaded cap base.

IPC.1981/REV 3

Installation Instructions

Aspex™ Digitally Printed Wall Art



Installation of Aspex™ Digitally Printed Wall Art with Standoffs

1. Determine the location of the Aspex™ Wall Art.
2. Use the Aspex™ Wall Art as a template to mark the hole locations. See Figure 1.
 - a. Drywall, plaster or concrete installation: Drill a $\frac{5}{16}$ " hole 1- $\frac{1}{4}$ " deep. Insert plastic wall anchors into the hole.
 - b. Mounting into wood: Drill a $\frac{3}{32}$ " pilot hole and do not use the plastic anchors.
3. Place the wall screw through the hole in the stand off base. Secure the base by fastening into the anchor or wood. Do this for all stand off bases. See Figure 2.
4. Attach Aspex™ Wall Art to the wall by securing it to the stand off base with the stand off studs. See Figure 3.

Installation Instructions

Aspex™ Digitally Printed Wall Art with Inpro Bond Adhesive

Recommended Tools

- Paint/Primer (if needed)
- Chalk Line or Laser Level
- Level
- InPro #545 Trowel, 1/8" [4mm] V-notches with 1/2" [13mm] spacing between notches
- Recommended Adhesive – InPro Bond or 3M Fastbond 30
- Smooth foam paint roller (for contact cement)
- Straight Edge
- Utility knife with extra blades
- Belt Sander
- Painter Tape
- InPro #333, Extension Roller, 9" [229mm] wide
- Clean cloths
- Water

Storage

Store Aspex™ Wall art in a clean, dry, interior area at temperatures between 60° F and 85° F [16°-29°C]. Keep out of direct sunlight. Make sure sheet is well supported.

- Store in a clean, dry, interior area
- Avoid direct sunlight
- Store between 60°F and 85°F [16-29°C]

Acclimate

24 hours before the installation, acclimate the material and adhesive in the environmentally controlled area where it will be installed. This area requires a temperature between 65°F and 80°F [18°-27°C] and a humidity level less than 80%. Maintain a constant temperature between 65°F - 80°F [18°-27°C] and a constant humidity level less than 80% in the installation area 24 hours before installation, during the entire installation and 48 hours after the installation.

- Acclimate sheet and adhesives in the environmentally controlled installation area.
- Acclimate sheet and adhesives at temperatures between 65°F and 80°F [18°-27°C].
- Acclimate sheet and adhesives at humidity less than 80%.
- Maintain a constant temperature and humidity 24 hours before, during and 48 hours after installation.

Installation Instructions

Aspex™ Digitally Printed Wall Art with Inpro Bond Adhesive

Wall Preparation

Walls must be free from dirt, grease and loose paint. Remove any coatings designed to improve clean-up since these coatings may affect adhesion. Glossy surfaces may require sanding or priming to help promote adhesion. Do not install in areas exposed to direct sunlight.

New drywall or plaster – Walls must be smooth and wiped clean to remove dust. Seal or prime walls with paint or primer that does not contain Polyvinyl Acetate (PVAc). Allow paint/primer to dry in accordance with the manufacturers application instructions.

- Remove Dust and Dirt
- Seal walls with paint/primer.
- DO NOT use paint/primer that contains Polyvinyl Acetate (PVAc)

Painted Drywall or Plaster - Test painted walls for adhesion by applying a 12" x 12" [305mm x 305mm] pieces of IPC Rigid Sheet in an inconspicuous area. Allow the test sheet to remain adhered for 24 hours. Remove test sheet, If paint has softened, strip the paint off the wall and reseal with a recommended paint/primer.

- Test the wall to make sure paint is compatible with adhesive.
- Strip the paint off wall if adhesives softens paint after testing.

Concrete and Concrete Masonry Units – Fill surface of concrete walls with an appropriate filler to make it smooth. Seal or prime walls with paint or primer that does not contain Polyvinyl Acetate (PVAc). Allow paint/primer to dry in accordance with the manufacturers application instructions. Unfilled grout lines may telegraph through the sheet, especially with thinner sheet thicknesses.

- Fill concrete to make smooth.
- Seal concrete with paint/primer.
- DO NOT use paint/primer that contains Polyvinyl Acetate (PVAc)

Non-Porous Substrates - Some non-porous substrates include metal, ceramic tile, high-pressure laminate, epoxy painted walls, vinyl wall covering (VWC) and rigid sheet. InPro Bond and XT-2000+ adhesives can be used to apply rigid sheet to securely adhered vinyl wallcovering or rigid sheet and other non-porous substrates. Adhering rigid sheet over existing sheet or VWC will increase smoke generation and flame spread and negate the Class A fire rating. If you choose to do this, follow the non-porous installation instructions.

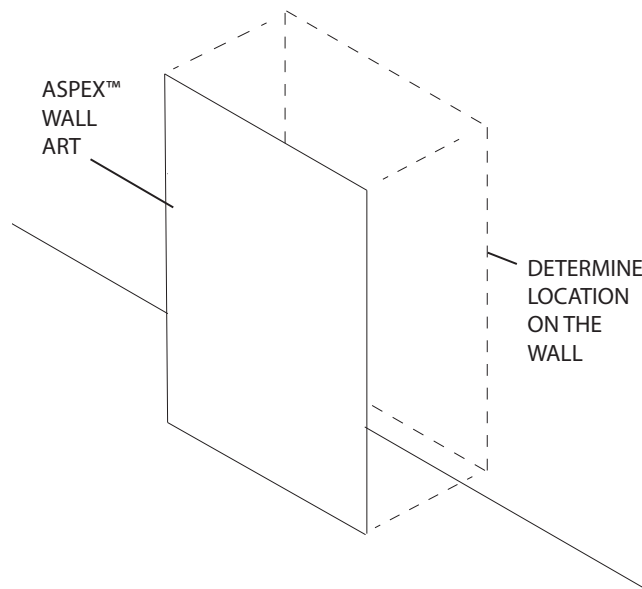
Installation Instructions

Aspex™ Digitally Printed Wall Art with Inpro Bond Adhesive

Cutting and Dry Fitting Sheets

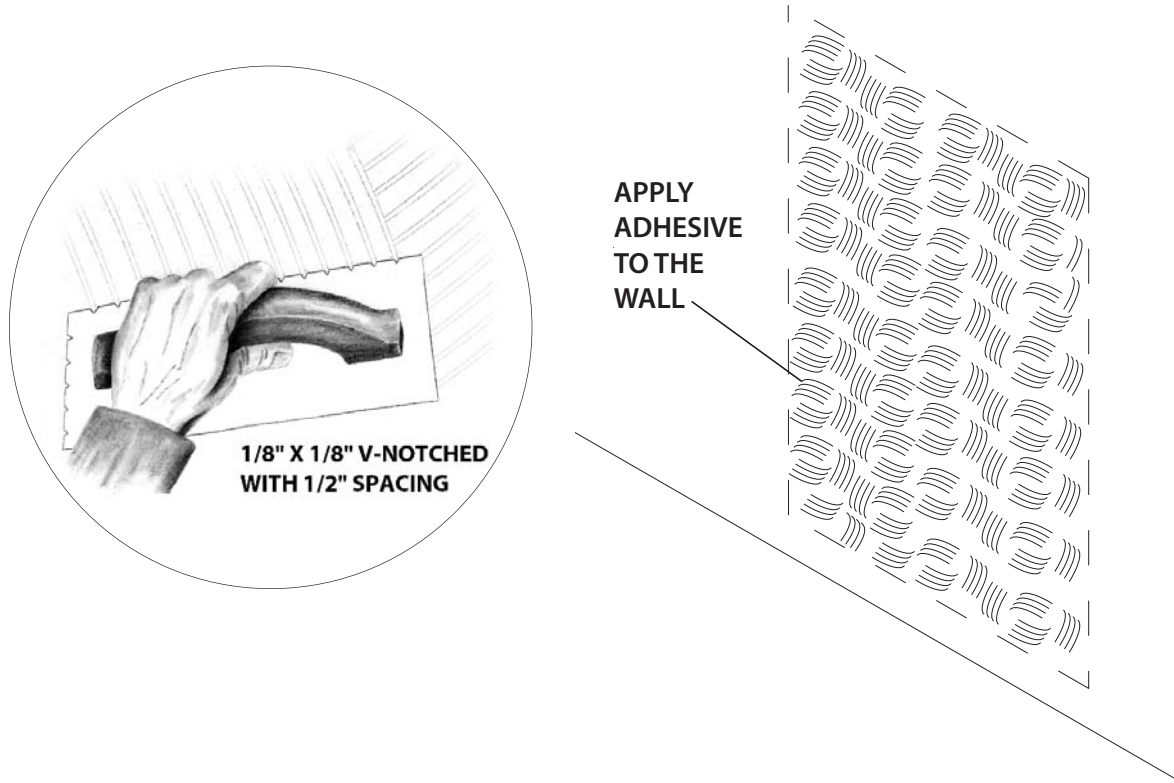
When handling sheet be careful and avoid kinking the sheet. Layout sheet location on the wall marking plumb lines and level lines where needed. When laying out sheet allow a 1/16" [2mm] gap between sheet material and ceilings, floors, corners, door casings, window casings and between sheets. Do not install cove base directly over rigid vinyl sheet, vinyl wallcovering, ceramic tile, metal or other non-porous surfaces. Overlap these materials with the cove base by 1/4" [7mm]. To maintain pattern sequence install sheets in the order as numbered on the sheets. If trimming is needed, trim at the beginning and ends of a run. Cut sheet material with a metal straight edge and a sharp utility knife. Cut the sheet using multiple passes. Cut openings in the sheet for outlets and other objects located on the wall. If corners are not plumb, apply painters tape to the edge of the sheet and scribe the uneven corner to the sheet. Use a belt sander to carefully remove material from the sheet. Dry fit the sheet to the wall by holding it in place on the wall. When installing multiple sheets in an area, dry fit all sections. Do not install sheet material too close to heat registers, radiators and other equipment that may produce excessive heat. Sheet installation in these areas may cause de-lamination or bubbling of the sheet. Do not remove the white film from the back of the sheet.

- Install sheets in the order as numbered on the sheets
- Trim at the beginning and ends of a run
- DO NOT kink the sheet when handling.
- Mark plumb lines and level lines on wall.
- Allow 1/16" [2mm] between sheet and ceilings, floors, walls, casings and other sheets.
- Do NOT install cove base directly over rigid sheet; Overlap sheet with cove base by 1/4" [7mm].
- Use a straight edge and sharp utility knife to cut sheet material.
- Scribe uneven corners to sheet and remove material with a belt sander
- Cut sheet using multiple passes with the utility knife.
- DO NOT install sheet too close to heat sources.
- Dry fit the sheet to the wall.
- Do not remove the white film from the back of the sheet



Installation Instructions

Aspex™ Digitally Printed Wall Art with Inpro Bond Adhesive



Adhesive Application InPro Bond

Apply adhesive only to the wall surface. Do not apply adhesive to the back of the sheet. After adhesive is applied it will need to cure before applying the sheet. Application temperature: After following the steps to acclimate the materials, maintain a constant temperature between 65°F and 80°F [18°-27°C] with an indoor humidity level below 80%. Use a 1/8" x 1/8"

[4mm x 4mm] V-notched trowel with 1/2" [13mm] spaces between the V-grooves to apply adhesive (see figure2). Apply adhesive to the entire area where the sheet is to be installed. Remove any excess adhesive from unwanted surfaces with a damp cloth before the adhesive has cured. Cured adhesive is nearly impossible to remove. Do not let adhesive dry in the notches of the trowel. This will change the application rate of the trowel. Application rate is 150 square feet per gallon [3.7sq. M/per liter]with InPro Trowel #545.

- Allow materials to acclimate following the recommendations stated earlier.
- Use a V-notched trowel with 1/8" x 1/8" [4mm x 4mm] V-notches spaced 1/2" [13mm] apart. (InPro item #545)
- Apply adhesive only on wall.
- Apply adhesive to the entire wall area where sheet will be installed.
- Remove any excess adhesive before it has cured.
- Clean trowel so notches do not get clogged.
- Application rate is 150 square feet per gallon [3.7 sq. M/per liter] with InPro Trowel #545

Installation Instructions

Aspex™ Digitally Printed Wall Art with Inpro Bond Adhesive

Adhesive Curing, Porous Substrate

Temperature and humidity levels will affect the time it takes for adhesive to cure. Under ideal conditions cure time should be 45-60 minutes. It could be significantly longer, but not more than 3 hours. When first applied the adhesive is white. As it cures, it becomes translucent and tacky. Install the sheet material when 60-75% of the adhesive has become translucent or when it becomes tacky and does not transfer to your finger. Fans will increase air movement and reduce cure time. The installer is responsible for determining the cure time of the adhesive, based on job site conditions. Do a test installation if needed.

- Adjust cure time for temperature and humidity level.
- Allow adhesive to become 60-75% translucent or let adhesive become tacky and not transfer to your finger when touched.
- Use fans to reduce cure time.
- The installer is responsible for determining the cure time of the adhesive, based on job site conditions.
- Do a test installation, if needed.

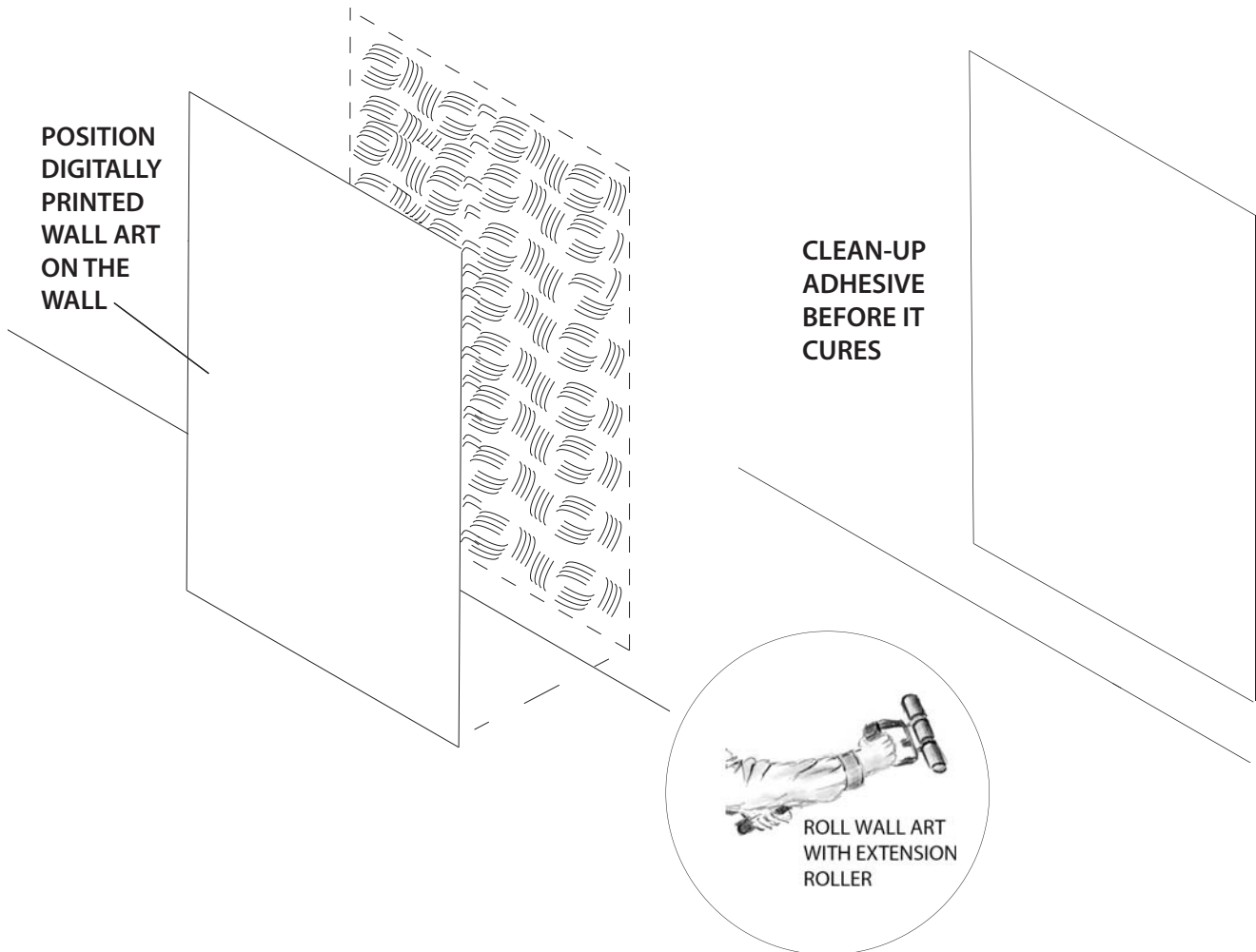
Adhesive Curing, Non-Porous Substrate

Some non-porous substrates include metal, ceramic tile, high-pressure laminate, epoxy painted walls, and vinyl wall covering. When applying adhesives to these substrates, moisture in the adhesive will not be absorbed by the substrate. Longer cure times are required. Allow the adhesive to become 90% translucent. Let the adhesive become tacky and not transfer to your finger when touched. Temperature and humidity levels will affect the time it takes for adhesive to cure. Cure times may range from 1 hour but not more than 3 hours. Fans will increase air movement and reduce cure time. The installer is responsible for determining the cure time of the adhesive, based on job site conditions. Do a test installation if needed. Align the sheet perfectly, since the longer cure time makes the adhesive behave like contact cement. Readjusting the sheet may be difficult or impossible.

- Allow adhesive to cure longer (at least an hour but not more than three hours)
- Allow the adhesive become 90% translucent and let adhesive become tacky and not transfer to your finger when touched.
- Use fans to reduce cure time.
- The installer is responsible for determining the cure time of the adhesive, based on job site conditions.
- Do a test installation, if needed.
- Position the sheet perfectly, since adhesive behaves like contact cement.

Installation Instructions

Aspex™ Digitally Printed Wall Art with Inpro Bond Adhesive



Positioning Sheet

Wipe the back of the sheet to remove any dust. After the adhesive has cured, position the sheet on the wall aligning the edges with plumb lines or level lines. Hold sheets back from ceiling, floors, corners, casings and other sheets by 1/16" [2mm] to

allow for expansion (see figure 3). If needed reposition the sheet on the wall by carefully pulling it back and re-aligning it to the wall. Use an extension roller (InPro item # 333) to firmly embed the sheet into the adhesive (see figure 4). Apply heavy body pressure to every square inch of sheet, starting at the center and working to the edges, making sure it is bonded securely to the wall.

- Wipe the back of sheet to remove dust.
- Position sheet on wall
- Allow 1/16" [2mm] gaps for expansion.
- Reposition sheet before rolling if needed.

Installation Instructions

Aspex™ Digitally Printed Wall Art with Inpro Bond Adhesive

- Roll entire sheet with extension roller, starting at the center and working to the edges.

Vinylseal Color Matched Caulk

Use Vinylseal to fill in the joints between Aspex™ Wall Art panels. Apply masking tape along both edges of the joint. Cut the spout on the tube at a 45° angle. Apply the color matched caulk to the joint. With a putty knife or finger, remove excess caulk from the joint. Immediately after applying the caulk remove the painters tape. If sinking occurs, reapply Vinylseal following the same steps. Remove unwanted caulk, before it cures, with a water dampened cloth.

- Apply masking tape on the edges of the joint.
- Apply caulk to joint and remove excess with putty knife or finger.
- Remove painters tape before caulk cures.
- Repeat caulk application if sinking occurs.
- Remove unwanted caulk before it cures.

Clean-up

Completion: Immediately upon completion of installation, clean sheet and remove layout marks excess adhesive and surface blemishes. Cured adhesive is difficult to remove. Use mineral spirits and rub gently with a soft cloth. After adhesive is removed, wipe the area with a general purpose cleaner like fantastic®. Rinse the area with a water dampened cloth. Dry with a clean soft cloth.

- Upon Completion, remove layout marks, excess adhesive and surface blemishes.
- Cured Adhesive.
- Use mineral spirits and gently rub.
- Follow by wiping with a cleaner like fantastic®.
- Rinse sheet with water dampened cloth.

After Installation

Maintain environmentally controlled conditions after the installation. Large temperature changes can cause de-lamination.

- Maintain environmentally controlled conditions.
- Large temperature changes can cause de-lamination.