

F140-2IM-02FL

JOINT WIDTH		MOVEMENT ±			
		HORIZONTAL		VERTICAL	
US	mm	US	mm	US	mm
2"	51	1"	25	-	-

NOTE:
FIRE BARRIER INSTALLATION JOINT
WIDTH TOLERANCE: -0.0/+0.50 [12mm]

RATED SUBSTRATE MUST BE IN
COMPLIANCE WITH UL ASSEMBLY
REQUIREMENTS (BY OTHERS)

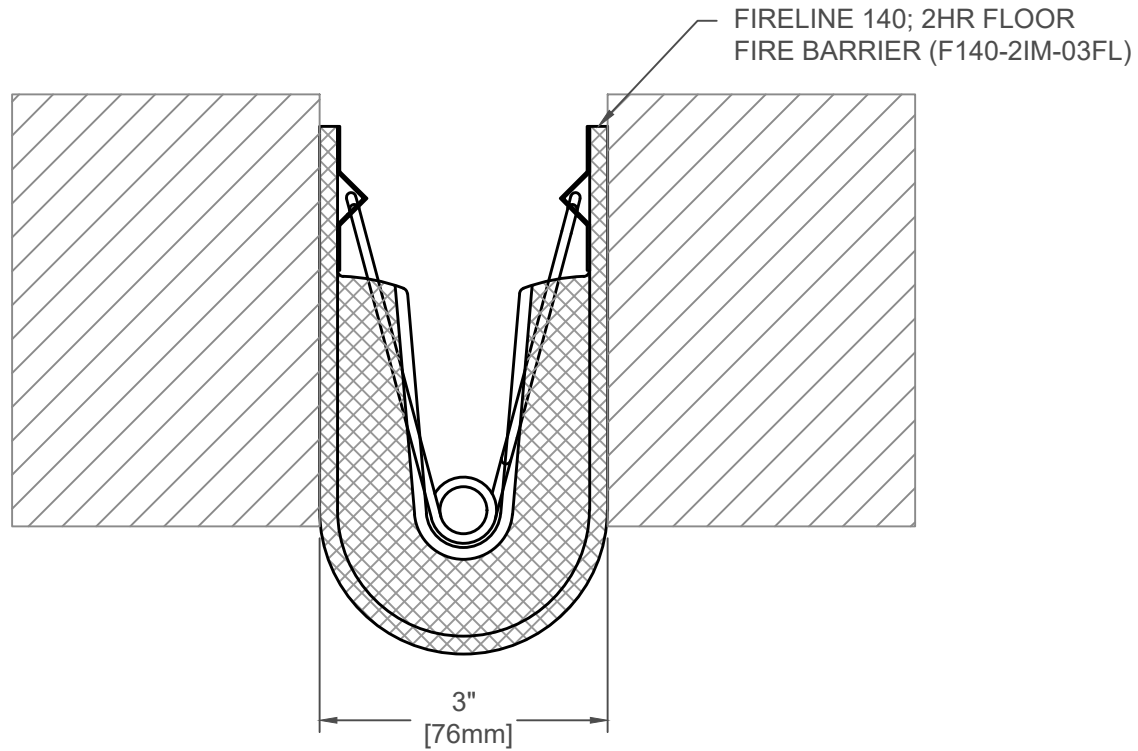
FINISH: N/A
PROJECT:
CUSTOMER:
LOCATION:

F140 FLOOR FIRE BARRIER

DATE:	12/20/17
SCALE:	1:2
DOC:	CADJM.192/R2

inpro.

For More Information Visit: Inprocorp.com



F140-2IM-03FL

JOINT WIDTH		MOVEMENT ±			
		HORIZONTAL		VERTICAL	
US	mm	US	mm	US	mm
3"	76	1 1/2"	38	-	-

RATED SUBSTRATE MUST BE IN COMPLIANCE WITH UL ASSEMBLY REQUIREMENTS (BY OTHERS)

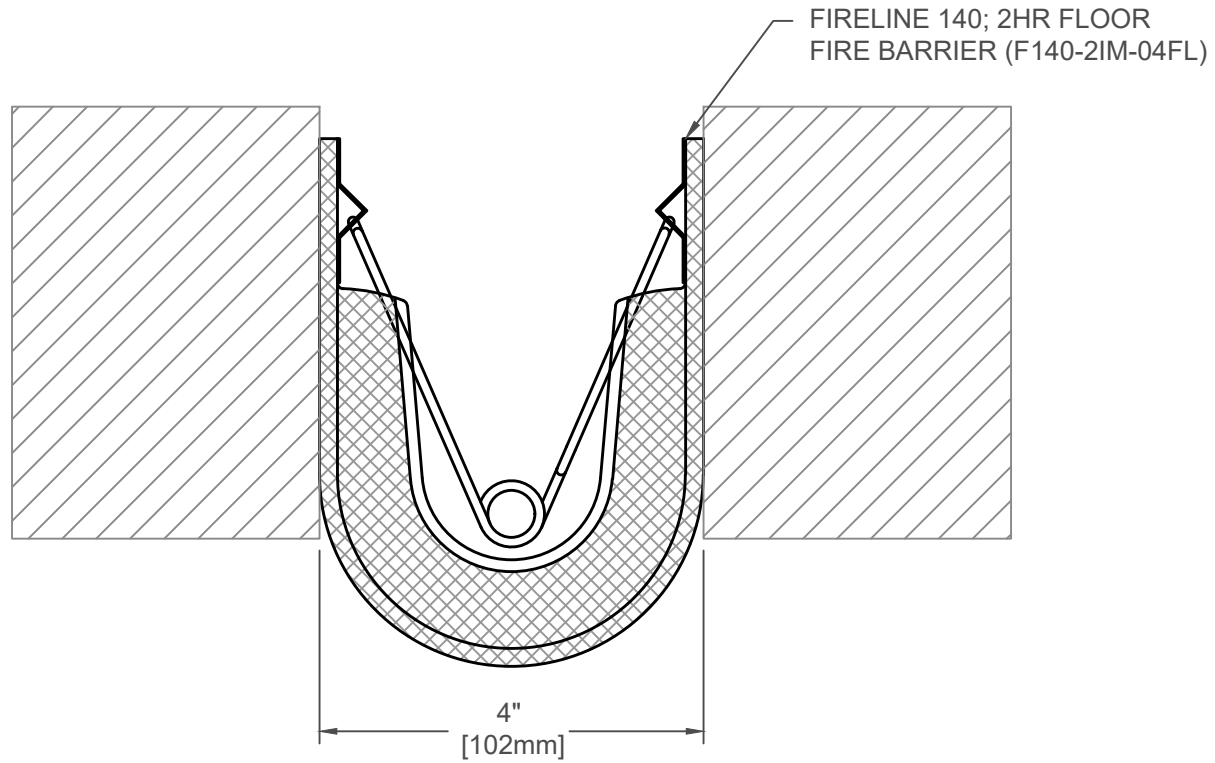
FINISH: N/A
PROJECT:
CUSTOMER:
LOCATION:

F140 FLOOR FIRE BARRIER	
-------------------------	--

DATE:	12/20/17
SCALE:	1:2
DOC:	CADJM.192/R2

inpro.

For More Information Visit: Inprocorp.com



F140-2IM-04FL

JOINT WIDTH		MOVEMENT ±			
		HORIZONTAL		VERTICAL	
US	mm	US	mm	US	mm
4"	102	2"	52	-	-

RATED SUBSTRATE MUST BE IN COMPLIANCE WITH UL ASSEMBLY REQUIREMENTS (BY OTHERS)

FINISH: N/A
PROJECT:
CUSTOMER:
LOCATION:

F140 FLOOR FIRE BARRIER	
-------------------------	--

DATE:	12/20/17
SCALE:	1:2
DOC:	CADJM.192/R2


 For More Information Visit: Inprocorp.com