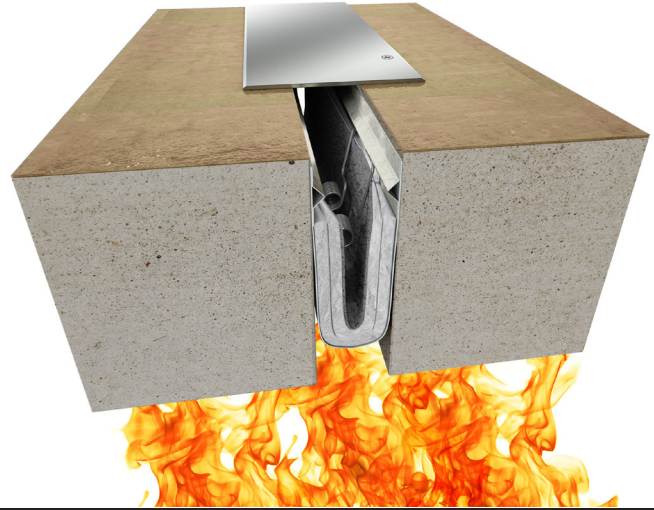


# Fireline™ F140

Fire Barrier Systems - Fire Blanket  
Floors and Walls

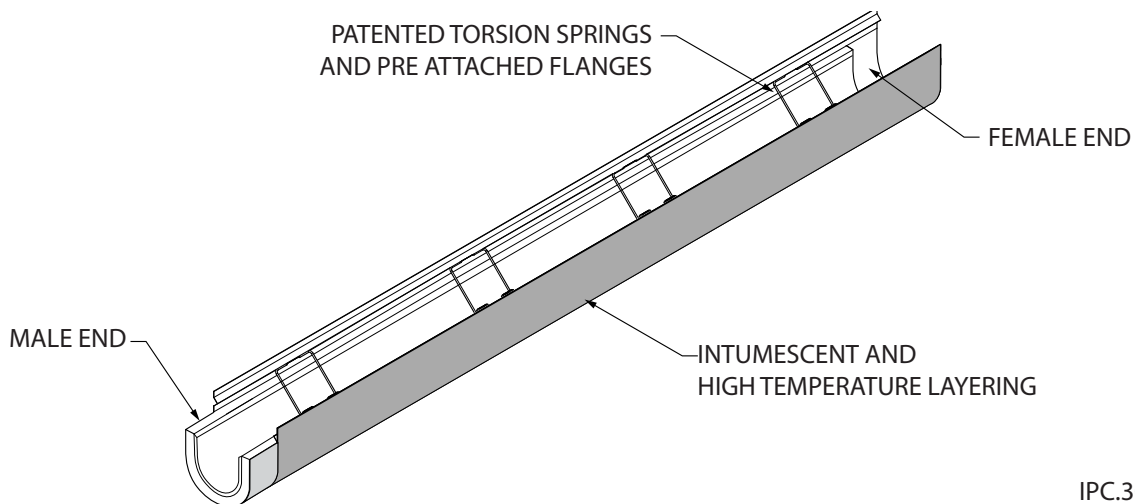


**Movement Rating ±50%**

## Product Guide



- ▶ Passive Fire barrier system for 1 and 2 Hr. Fire Ratings.
- ▶ Tested in accordance with:
  - UL 2079/ ULC S-115 "FTH"
  - (FTH: Rating Fire, Temperature and Hose)
  - ASTM-E119/E1399/E1966
- ▶ For use in horizontal and vertical expansion joints ranging 2-4" (50-100mm) in size. 1" (25mm) system available for horizontal expansion joint only.
- ▶ 50%+- seismic movement rating
- ▶ Patented pre-attached flanges utilizing adjustable compression springs for consistent outward pressure during joint cycling.
- ▶ Sections come with factory made male to female ends, eliminating the need for complex field manipulation at seams (see image below)
- ▶ No mechanical fastening required for installation
- ▶ Product utilizes a combination of a tough outer wall for transport & installation protection along with layers of intumescences and high temperature insulation to resist toxic smoke and fire.
- ▶ Product mounts against the inside face of the expansion joint. This eases installation of any coverplate or chase wall system allowing for a more consistent finish.
- ▶ System sold in 6 1/2' (2m) lengths



IPC.3039/Rev.1

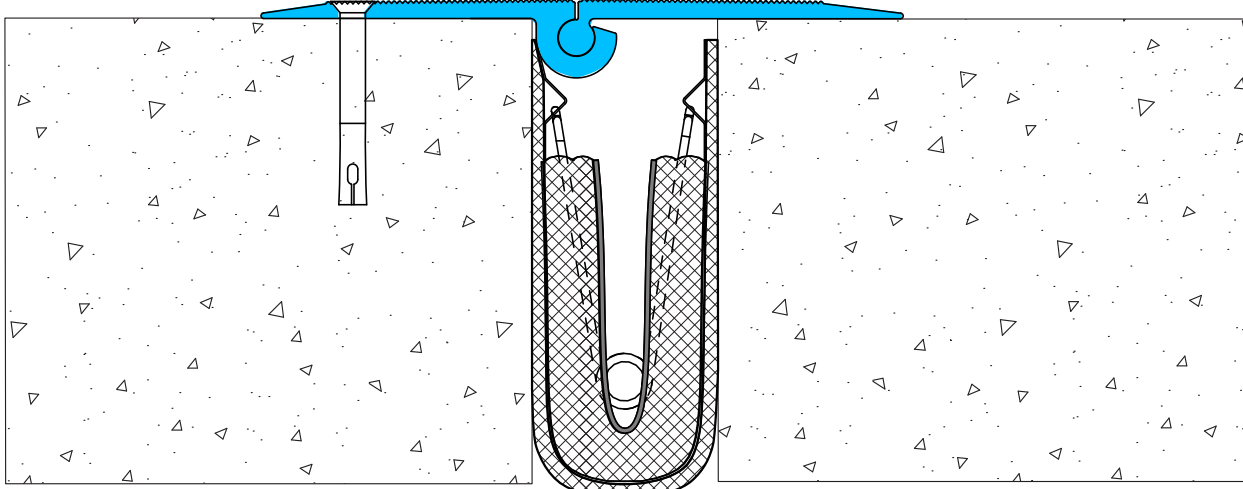
Inprocorp.com • 800.222.5556 • 262.679.9010  
World Headquarters S80 W18766 Apollo Drive, Muskego, WI 53150 USA

**JOINTMASTER®**  
EXPANSION JOINT SYSTEMS  
A DIVISION OF INPRO®

# Fireline™ F140

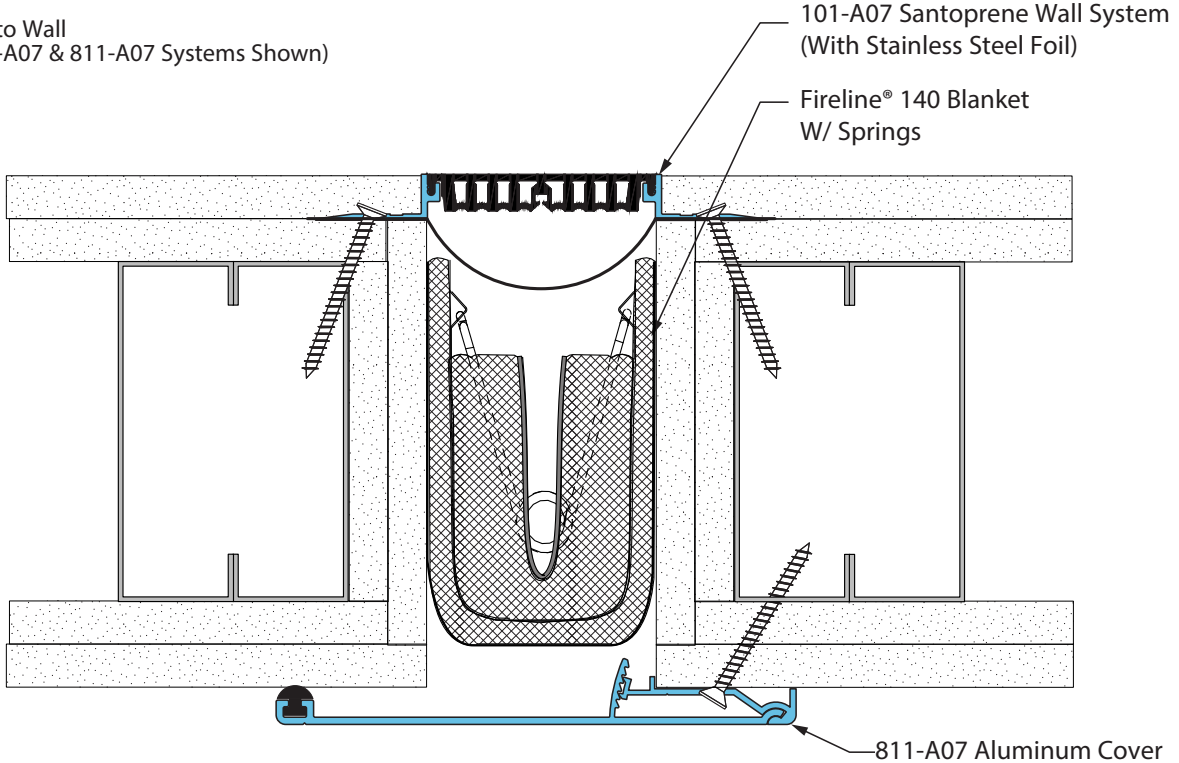
Fire Barrier Systems

Floor to Floor  
(806-A01-050 System Shown)



Fireline® 140 Blanket  
W/ Springs

Wall to Wall  
(101-A07 & 811-A07 Systems Shown)



101-A07 Santoprene Wall System  
(With Stainless Steel Foil)

Fireline® 140 Blanket  
W/ Springs

811-A07 Aluminum Cover