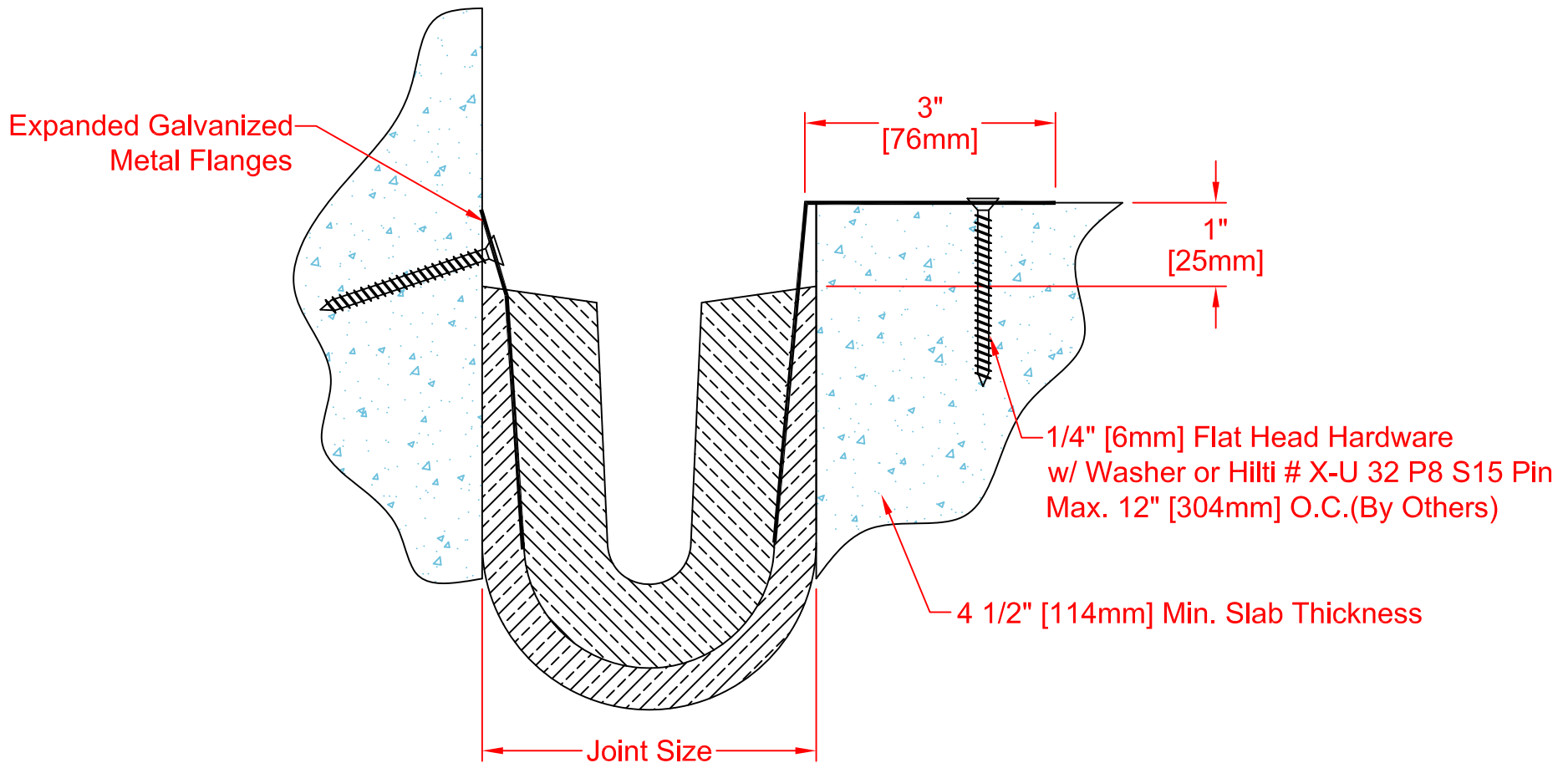


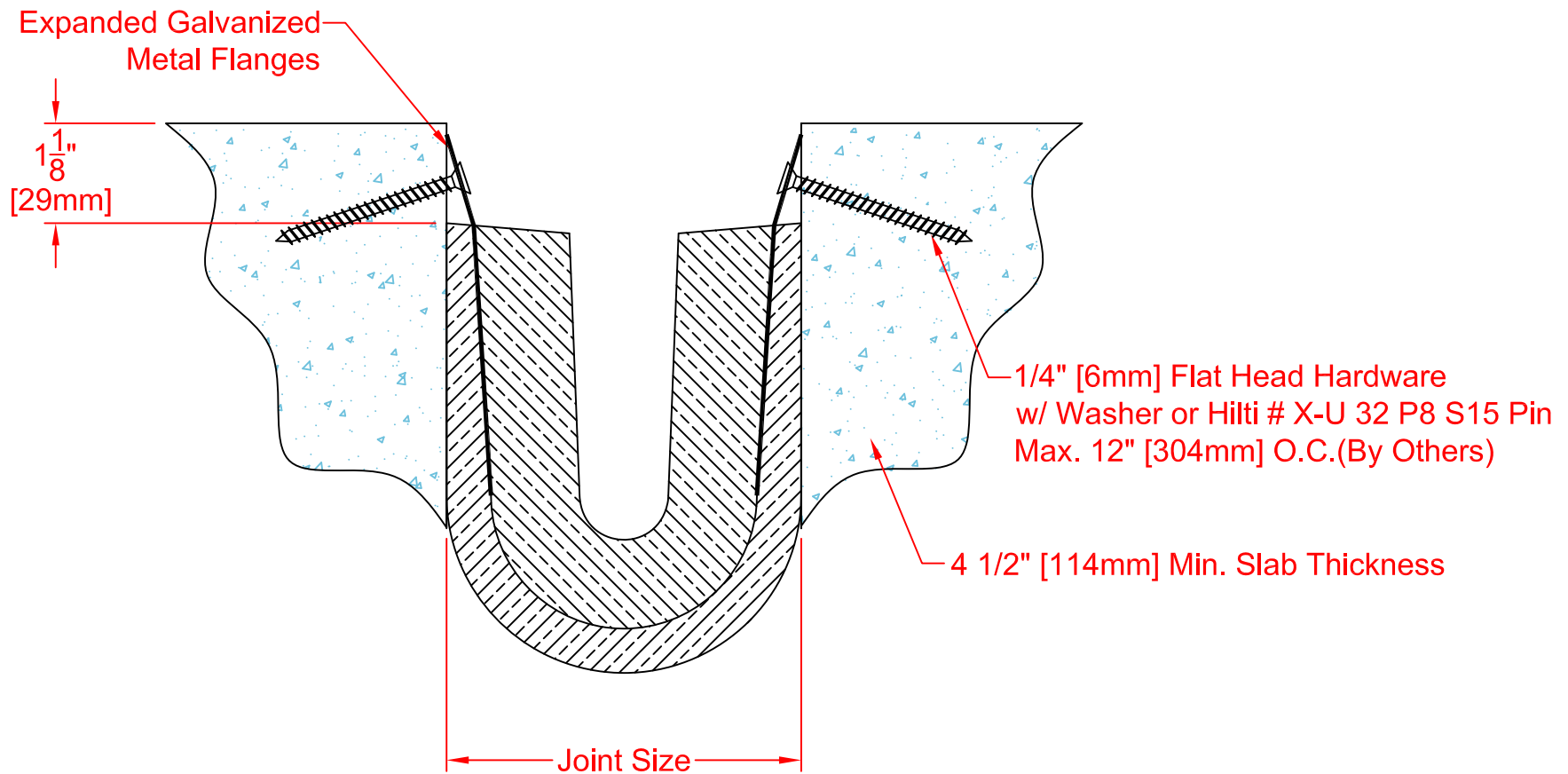
Part # Designation

	F520-	HR Rating <u>1,2,3</u> or <u>4</u>	Flange <u>Top</u> <u>Inside</u> <u>Bottom</u>	Type <u>Mount</u> <u>Waterguard</u> -	Standard Joint Sizes <u>2,4,6,8,10,12,14,16</u> or <u>18</u>	Project Condition <u>FL</u> = Floor/Floor <u>FW</u> = Floor/Wall <u>WL</u> = Wall/Wall <u>WC</u> = Wall/Corner
Example	F520-	2	T	M-	4	FL



Part # Designation

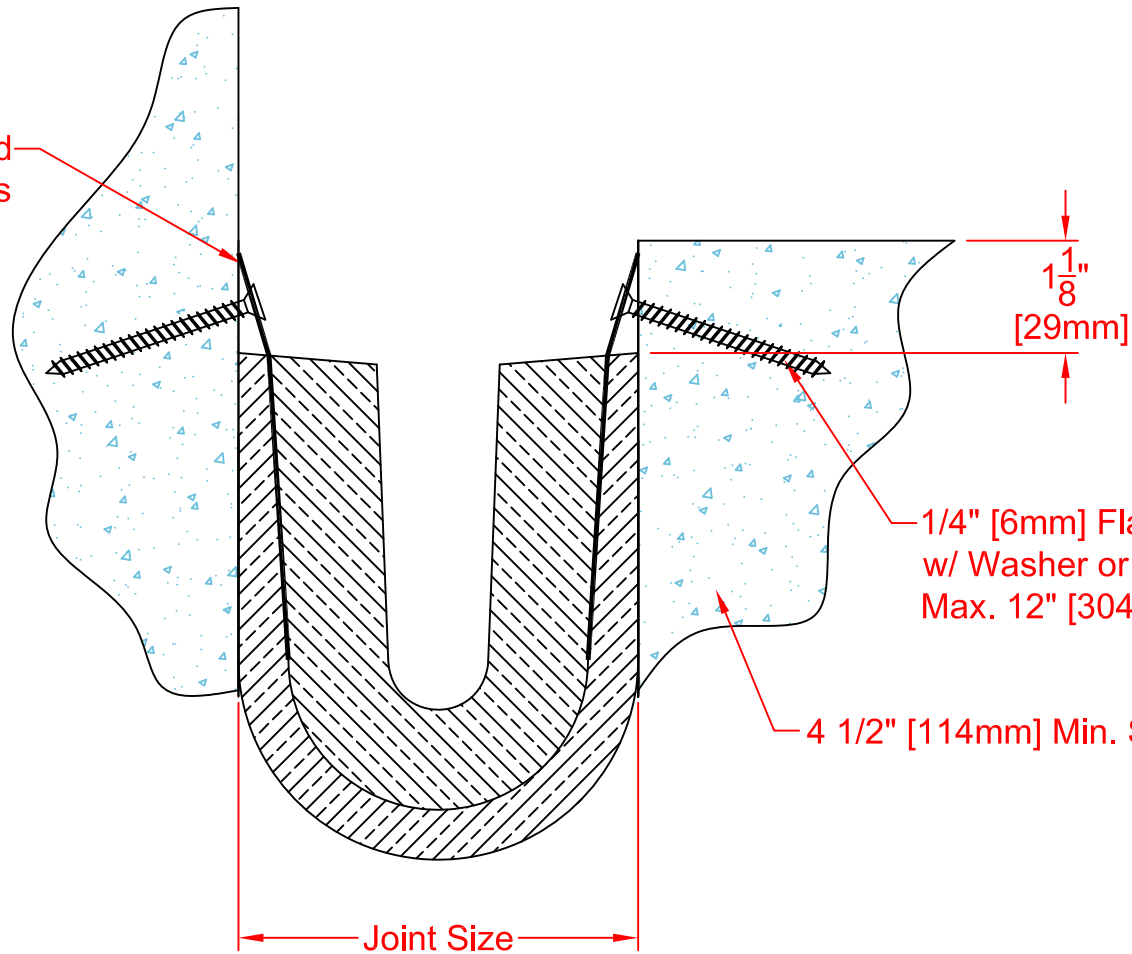
	F520-	HR Rating <u>1,2,3</u> or <u>4</u>	Flange <u>Top</u> <u>Inside</u> <u>Bottom</u>	Type <u>Mount</u> <u>Waterguard</u> -	Standard Joint Sizes <u>2,4,6,8,10,12,14,16</u> or <u>18</u>	Project Condition <u>FL</u> = Floor/Floor <u>FW</u> = Floor/Wall <u>WL</u> = Wall/Wall <u>WC</u> = Wall/Corner
Example	F520-	2	T	M-	4	FW



Part # Designation

	F520-	HR Rating <u>1,2,3</u> or <u>4</u>	Flange <u>Top</u> <u>Inside</u> <u>Bottom</u>	Type <u>Mount</u> <u>Waterguard</u> -	Standard Joint Sizes <u>2,4,6,8,10,12,14,16</u> or <u>18</u>	Project Condition <u>FL</u> = Floor/Floor <u>FW</u> = Floor/Wall <u>WL</u> = Wall/Wall <u>WC</u> = Wall/Corner
Example	F520-	2	I	M-	4	FL

Expanded Galvanized
Metal Flanges



1/4" [6mm] Flat Head Hardware
w/ Washer or Hilti # X-U 32 P8 S15 Pin
Max. 12" [304mm] O.C.(By Others)

4 1/2" [114mm] Min. Slab Thickness

Joint Size

Part # Designation

	F520-	HR Rating <u>1,2,3</u> or <u>4</u>	Flange <u>Top</u> <u>Inside</u> <u>Bottom</u>	Type <u>Mount</u> <u>Waterguard</u> -	Standard Joint Sizes <u>2,4,6,8,10,12,14,16</u> or <u>18</u>	Project Condition <u>FL</u> = Floor/Floor <u>FW</u> = Floor/Wall <u>WL</u> = Wall/Wall <u>WC</u> = Wall/Corner
Example	F520-	2	I	M-	4	FW

JOINTMASTER™
EXPANSION JOINT SYSTEMS

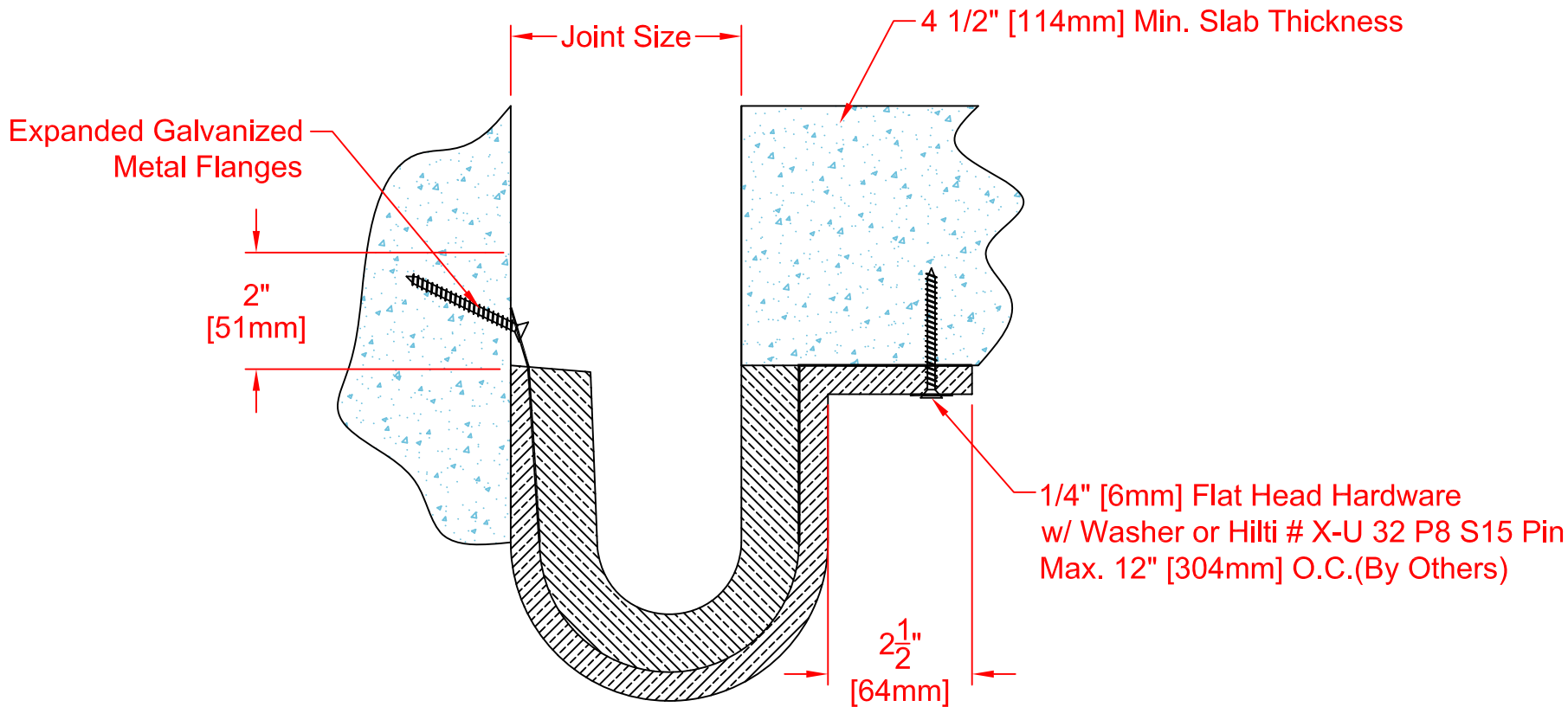
DATE: 1-27-15

SCALE: 1/2

DOC:CADJM.168/Rev2

APPLICATION-
F520 FIRE BLANKET INSIDE MOUNT
FLOOR/WALL & WALL/CORNER

inpro.



Part # Designation

	F520-	HR Rating <u>1,2,3</u> or <u>4</u>	Flange <u>Top</u> <u>Inside</u> <u>Bottom</u>	Type <u>Mount</u> <u>Waterguard</u> -	Standard Joint Sizes <u>2,4,6,8,10,12,14,16</u> or <u>18</u>	Project Condition <u>FL</u> = Floor/Floor <u>FW</u> = Floor/Wall <u>WL</u> = Wall/Wall <u>WC</u> = Wall/Corner
Example	F520-	2	B	M-	4	FW

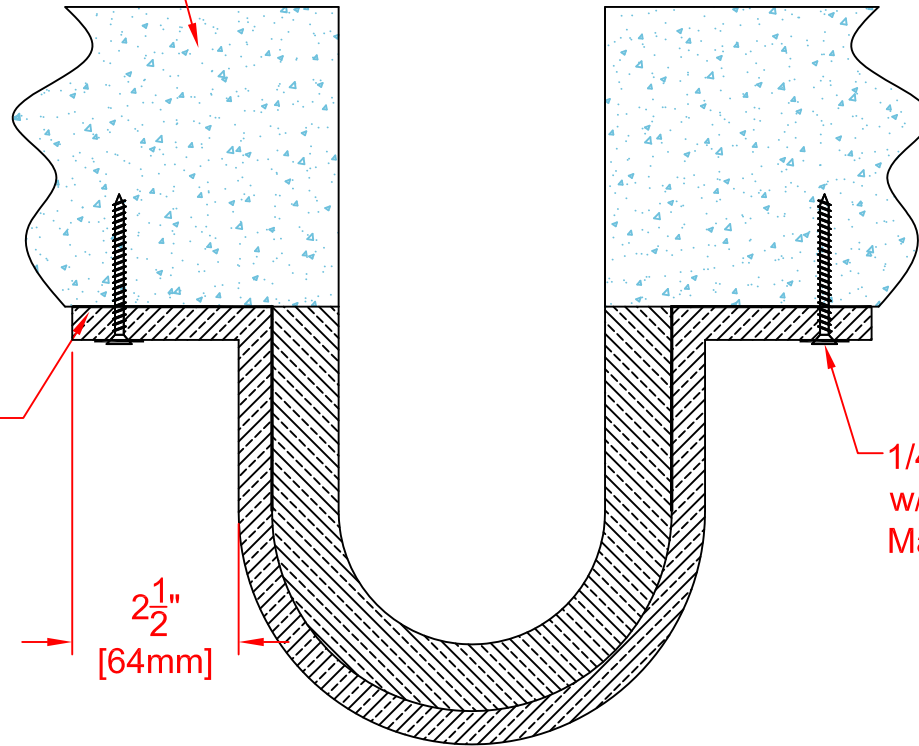
4 1/2" [114mm] Min. Slab Thickness

Joint Size

Expanded Galvanized
Metal Flanges

1/4" [6mm] Flat Head Hardware
w/ Washer or Hilti # X-U 32 P8 S15 Pin
Max. 12" [304mm] O.C.(By Others)

2 1/2"
[64mm]



Part # Designation

	F520-	HR Rating <u>1,2,3</u> or <u>4</u>	Flange <u>Top</u> <u>Inside</u> <u>Bottom</u>	Type <u>Mount</u> <u>Waterguard</u> -	Standard Joint Sizes <u>2,4,6,8,10,12,14,16</u> or <u>18</u>	Project Condition <u>FL</u> = Floor/Floor <u>FW</u> = Floor/Wall <u>WL</u> = Wall/Wall <u>WC</u> = Wall/Corner
Example	F520-	2	B	M-	4	FL

JOINTMASTER™
EXPANSION JOINT SYSTEMS

DATE: 1-27-15

SCALE: 1/3

DOC:CADJM.168/Rev2

APPLICATION-
F520 FIRE BLANKET BOTTOM MOUNT
FLOOR/FLOOR

inpro.