

F520 Water Guard Series

Fire Barrier Systems - Fire Blanket Floor to Floor

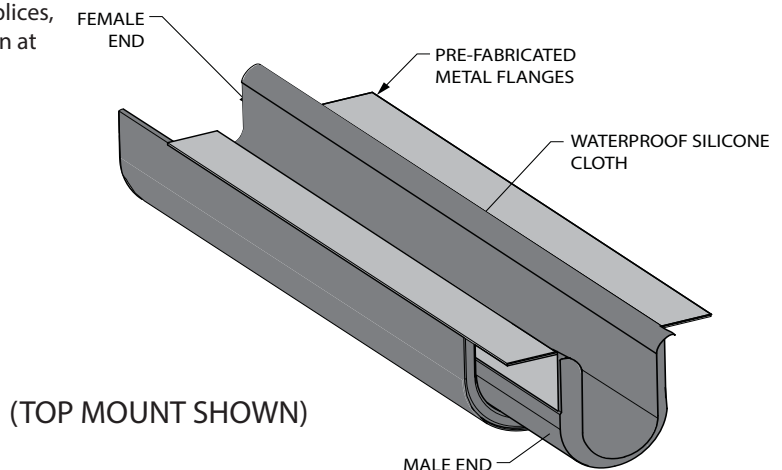


Movement Rating \pm 50%

Product Guide



- ▶ Integrated water proof silicone cloth protects the blanket system and fire rating during and after construction of open structures such as parking facilities and stadiums. Silicone caulk is required at splices and is supplied by inpro.
- ▶ 1, 2 and 3 hour rated floor systems
- ▶ Tested in accordance with:
 - UL 2079/ ULC S-115 "FTH"
 - (FTH: Rating Fire, Temperature and Hose)
 - ASTM-E119/E1399/E1966
- ▶ \pm 50% movement.
- ▶ Accommodates joint widths from 2" [51mm] to 32" [813mm] wide
- ▶ Single sided installation
- ▶ Pre-attached flanges drastically reduce labor cost and ensure uniform installation
- ▶ Sections come with factory made male to female splices, eliminating the need for complex field manipulation at seams (see image below)
- ▶ No Fire Caulk required at splices
- ▶ 4ft long pieces
- ▶ Flange mounting configurations options meet a variety of project conditions:
 - Top (flush) mount
 - Inside (recessed) mount
 - Bottom Mount
- ▶ Factory fabricated horizontal and vertical transitions ensure the fire rating requirements of UL 2079 are not compromised
 - Details & directions for field fabricated transitions also available
- ▶ Optional drain tubes available
- ▶ Custom Total Water Guard available



(TOP MOUNT SHOWN)

IPC.1977/Rev.4

Inprocorp.com • 800.222.5556 • 262.679.9010
 World Headquarters S80 W18766 Apollo Drive, Muskego, WI 53150 USA

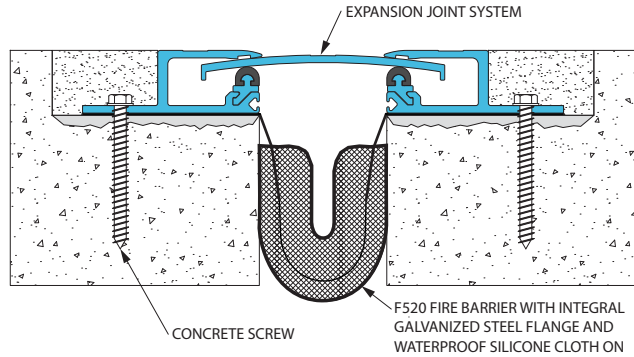
JOINTMASTER®
 EXPANSION JOINT SYSTEMS
 A DIVISION OF INPRO®

F520 Water Guard Series

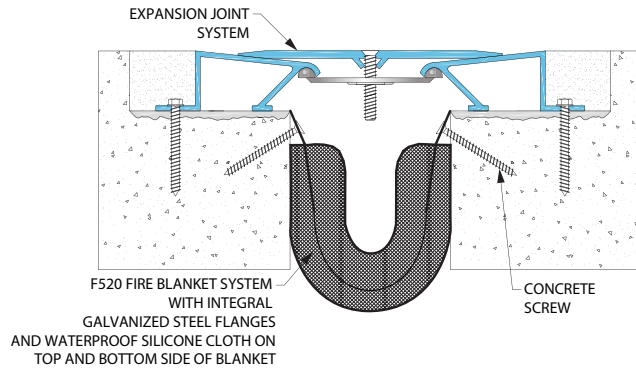
Fire Barrier Systems

***NOTE:** For all assemblies, the UL approved wall assembled with hourly rating must not exceed the hourly rating of the F520 Fire Blanket.

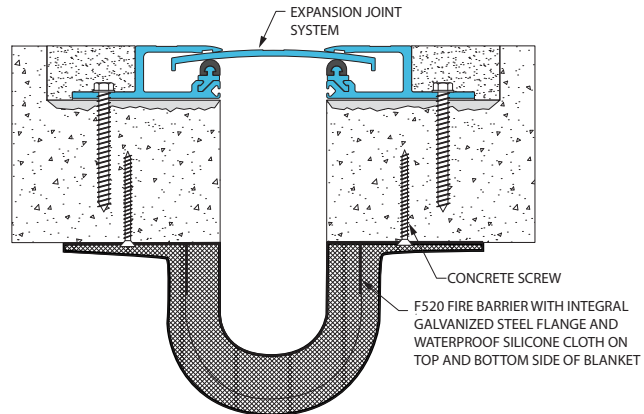
Top (Flush) Mount - Floor to Floor
(300-A01-100 System Shown)



Inside (Recessed) Mount - Floor to Floor
(430-A01-100 System Shown)



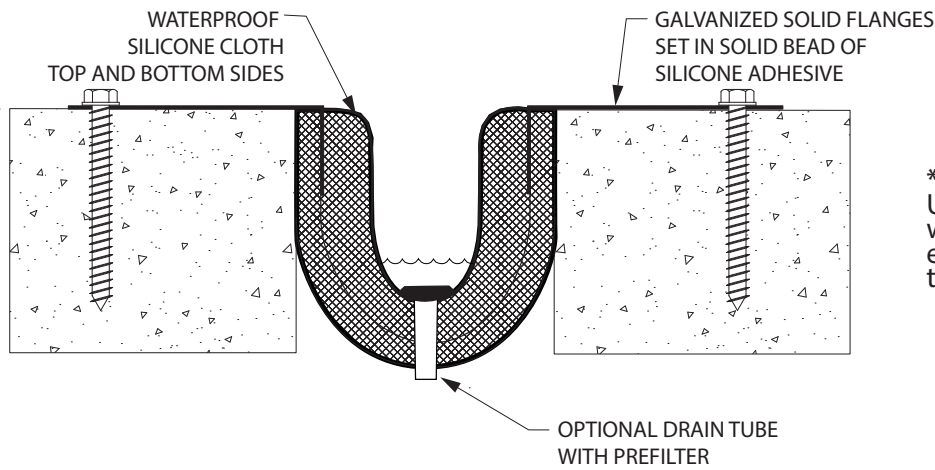
Bottom Mount - Wall to Wall
(300-A01-100 System Shown)



F520 Water Guard Series

Options

"Water Guard" System with Drain Option

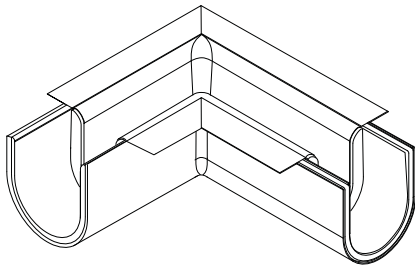


***NOTE:** For all assemblies, the UL approved wall assembled with hourly rating must not exceed the hourly rating of the F520 Fire Blanket.

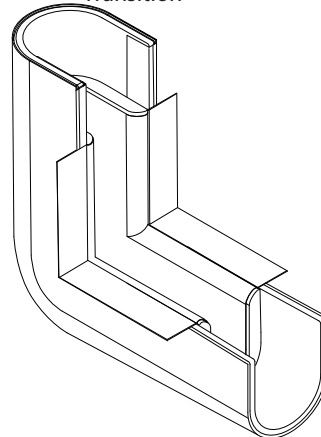
Pre-Fabricated Directional Changes

Available In Both Floor/Floor & Floor/Wall Conditions

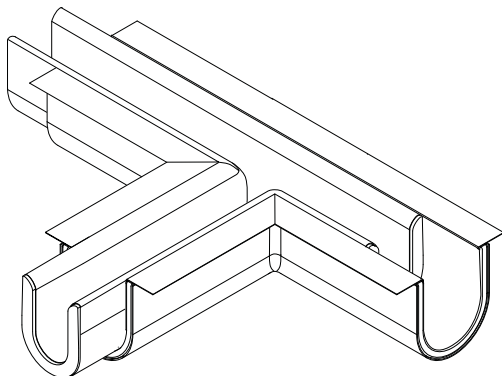
"L" Transition



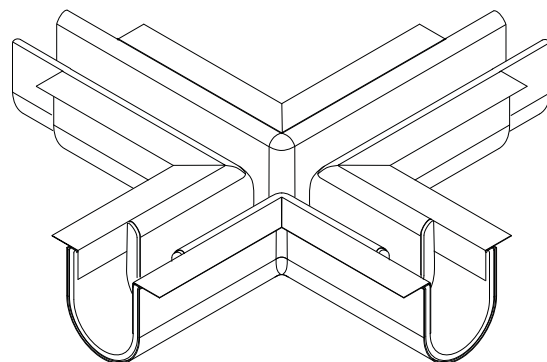
Horizontal to Vertical Transition



"T" Transition



"X" Transition



F520 Series Fire Barrier

Suggested Specifications

PART 1 - GENERAL

1.01 SUMMARY

- A. Furnish Fire Blanket Systems in accordance with the drawings and general provisions of the Contract.

1.02 WORK INCLUDED

- A. Furnish complete JointMaster/InPro Corporation Expansion Joint Systems.
- Interior floor expansion joint systems.
 - Interior wall expansion joint systems.
 - Interior ceiling expansion joint systems.
 - Roof expansion joint systems.
 - Exterior wall expansion joint systems.
 - Exterior floor expansion joint systems.
 - Parking deck expansion joint systems.

1.03 RELATED WORK

- A. Related work which is specified elsewhere.
- Cast-In-Place Concrete: Section 03300.
 - Unit Masonry: Section 04810.
 - Structural Steel: Section 05120.
 - Light Gage Metal Framing: Section 05400.
 - Roof Expansion Assemblies: 07716.
 - Sheet Metal Flashing and Trim: Section 07620.
 - Cement Plaster: Section 09210.
 - Gypsum Wallboard: Section 09260.

1.04 REFERENCES

- A. Publications listed herein are part of this specification. The criteria established in the specifications shall take precedence over the standards referenced herein.
- Fire Rated Assemblies shall meet requirements of Underwriter's Laboratories, in accordance with UL 2079 including Air Leakage Test data [ANSI/U.L. NO. 263 and ASTM E 119/E 814] [ASTM E 1399] [ASTM 1699]. Certified Testing Agency shall classify assemblies. Fire rating shall be not less than the fire rating of adjacent construction.

1.05 DEFINITIONS

- A. Define industry and product terms as necessary.

1.06 SYSTEM DESCRIPTION

- A. Joint systems shall permit limited movement of joint without disengagement.
- Specify x-axis joint movement (horizontal).
 - Specify y-axis joint movement (vertical).
 - Specify z-axis joint movement (lateral, where applicable).

1.07 QUALITY ASSURANCE

- A. Manufacturer: Furnish Fire Barrier Systems from one (1) manufacturer with a minimum of five (5) years of experience in the design, engineering and fabrication of Fire Barrier Systems.
- B. Installer: Firm with not less than three (3) five (5) years of successful experience in the installation of systems similar to those required by this project and acceptable to the manufacturer of the system.

1.08 SUBMITTALS

- A. Manufacturer's specifications, technical data, installation instructions, and detail drawings for each Fire Barrier System.
- B. Certificates or other documentation confirming UL approved or equivalent compliance with fire resistance rating of fire barrier assemblies.
- C. Sample of specified systems where required.

1.09 DELIVERY AND STORAGE

- A. Deliver fire barrier systems to jobsite in

new, clean, unopened cartons or crates of sufficient size and strength to protect materials during transit.

- B. Store components in original containers in a clean, dry location (when applicable). Inspect materials upon arrival, monitor for adverse environmental impacts.
- C. Wet barriers or barriers that have been wet are not to be installed. These barriers no longer carry a rating and are to be reordered.

1.10 SEQUENCING

- A. Submittals shall be completed and submitted within a reasonable amount of time after award of subcontract.
- B. Subcontract for the work of this section shall be planned to allow sufficient time for manufacturer's production and delivery scheduling.

1.11 WARRANTY

- A. Standard JointMaster/InPro Corporation limited warranty against material and manufacturing defects for a period of not less than five (5) years when installed in accordance with manufacturer's recommendations.

PART 2 - PRODUCTS

2.01 MANUFACTURER/DISTRIBUTOR

- A. Fireline 520TM, an InPro® Company
S80 W18766 Apollo Drive
Muskego, WI 53150 USA
Phone: (800) 222-5556
Fax: (888) 715-8407
Email: service@inprocorp.com
- B. Substitutions: Not permitted.

2.02 MATERIALS

- A. Ceramic Cloth: Treated insulated glass textile.
- B. Aluminum Foil: Jacketed aluminum foil, 1 mil thick.
- C. Ceramic Fiber: Ceramic blanket with density no less than 8 pcf.
- D. Expanded Metal Flanges: 16 gauge galvanized steel.
- E. Solid Metal Flanges: 20 gauge galvanized steel.
- F. Silicone Membrane: Silicone coated fiberglass fabric, 18 mils thick (Water Guard only).
- G. Silicone Caulk: Clear silicone (Water Guard only).
- H. Galvanized Steel: 22 gauge (chase cover only).
- I. Stainless Steel Foil (where applicable): 304 0.2 mils.

2.03 FIRE BARRIER SYSTEMS FOR HORIZONTAL AND VERTICAL APPLICATIONS

- A. Fireline 520 Series – Standard Fire Blanket
- Factory pre-assembled splices required.
 - 1, 2, and 3 hour blanket where required.
 - Surface mount, inside mount and bottom mount flanges available as project conditions dictate.
 - No fire caulk required.
- B. Fireline 520 Series – Water Guard Fire Blanket
- Factory pre-assembled splices required.
 - Water resistant.
 - Surface mount, inside mount and bottom mount flanges available as project conditions dictate.
 - Silicone caulk required at splices.

C. Fireline 520 Series – Fire Blanket System Accessories

- Chase Covers.
- Drainage fittings (optional for Water Guard only).

2.04 FABRICATION

- A. Fire Blanket Systems
- Fire Blanket System may be field-cut and transitioned according to manufacturer recommendations.
 - Fire Blanket System may be installed utilizing male/female splice and factory transitions.

PART 3 - EXECUTION

3.01

- A. Verify that structural gap and blockout dimensions are in conformance with manufacturer's submittal data.

3.02 INSTALLATION

- A. Joint systems: Install in accordance with manufacturer's instructions. Align work plumb, level and flush with adjacent surfaces. Allowances should be made where actual structural gap at time of installation varies from nominal design gap.
- B. Fire blankets to be supplied to the job site shall have factory pre-assembled systems, including splices and transitions (where required).
- C. Water Guard to be supplied to the job site shall have factory pre-assembled systems, including splices, caulk, and transitions (where required).
- D. Vapor Barrier: Where required, install to manufacturer's instructions.

3.03 PROTECTION AND CLEANING

- A. Protect installation from damage by work of others.

END OF SECTION