

# Fireline™ 520

## Fire Barrier Systems - Fire Blanket Floors and Walls

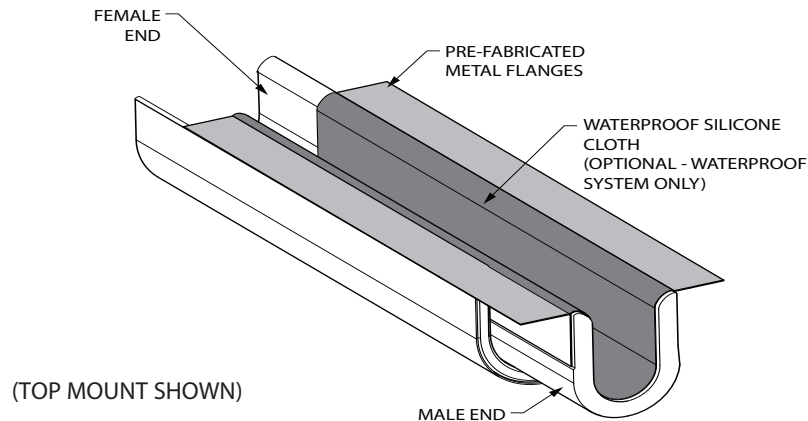


**Movement Rating ± 50%**

### Product Guide



- ▶ 1, 2, 3 and 4 hour rated floor systems (contact your JointMaster Rep for 4 hr blanket information)
- ▶ 1,2,3 and 4 hour rated wall systems (contact your JointMaster Rep for 4 hr blanket information)
- ▶ Tested in accordance with:
  - UL 2079/ ULC-S115 "FTH"
  - (FTH: Rating Fire, Temperature and Hose)
  - ASTM-E119/E1399/E1966
- ▶ ±50% movement.
- ▶ Joint widths from 2" [51mm] to 32" [813mm] wide:
  - 2"[51mm]-18"[457mm] joint widths are 10' [3048mm] long pieces and 20"[508mm]-32"[813mm] joint widths are 4' [1219mm] long pieces.
- ▶ No fire caulk required at splices
- ▶ Single sided installation available for horizontals
- ▶ Single and dual sided installation available for verticals
- ▶ Pre-attached flanges drastically reduce labor cost and ensure uniform installation
- ▶ Sections come with factory made male to female splices, eliminating the need for complex field manipulation at seams (see image below)
- ▶ Mounting configurations available for both wall and floor conditions:
  - Top (flush) mount
  - Inside (recessed) mount
  - Bottom Mount
- ▶ Factory fabricated horizontal and vertical transitions ensure the fire rating requirements of UL 2079 are not compromised
  - Details & directions for field fabricated transitions also available
- ▶ "Water Guard" systems are available to protect the blanket system and fire rating during and after construction of open structures such as parking facilities and stadiums. Silicone caulk is required at splices and is supplied by inpro. (Optional drain tubes available)



IPC.1831/Rev.7

Inprocorp.com • 800.222.5556 • 262.679.9010  
World Headquarters S80 W18766 Apollo Drive, Muskego, WI 53150 USA

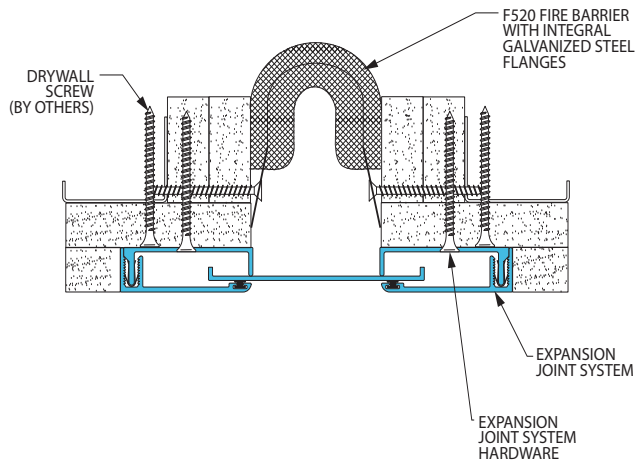
**JOINTMASTER®**  
EXPANSION JOINT SYSTEMS  
A DIVISION OF INPRO®

# Fireline™ 520

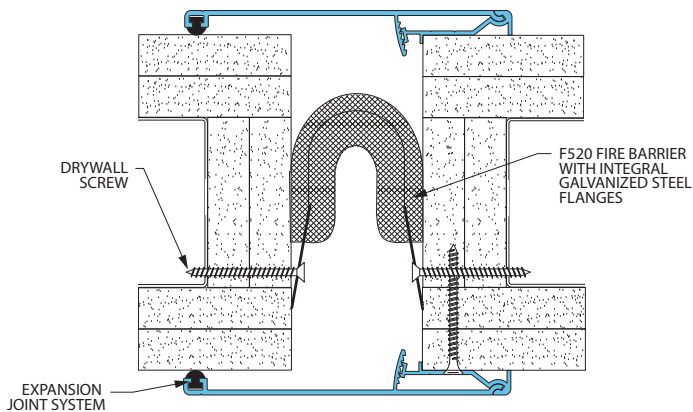
## Fire Barrier Systems

\*NOTE: For all assemblies, the UL approved wall assembled with hourly rating must not exceed the hourly rating of the F520 Fire Blanket.

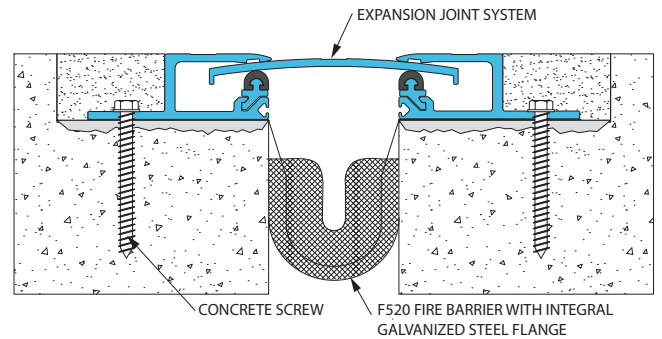
Top (Flush) Mount - Wall to Wall  
(300-A07-075 System Shown)



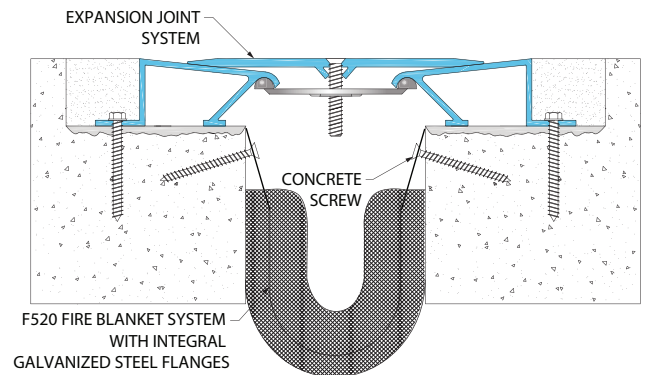
Dual Sided Vertical- Wall to Wall  
(811-A07-075 System Shown)



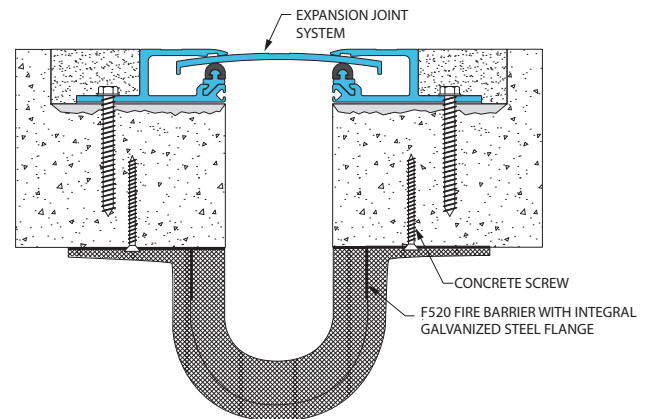
Top (Flush) Mount - Floor to Floor  
(300-A01-100 System Shown)



Inside (Recessed) Mount - Floor to Floor  
(430-A01-100 System Shown)



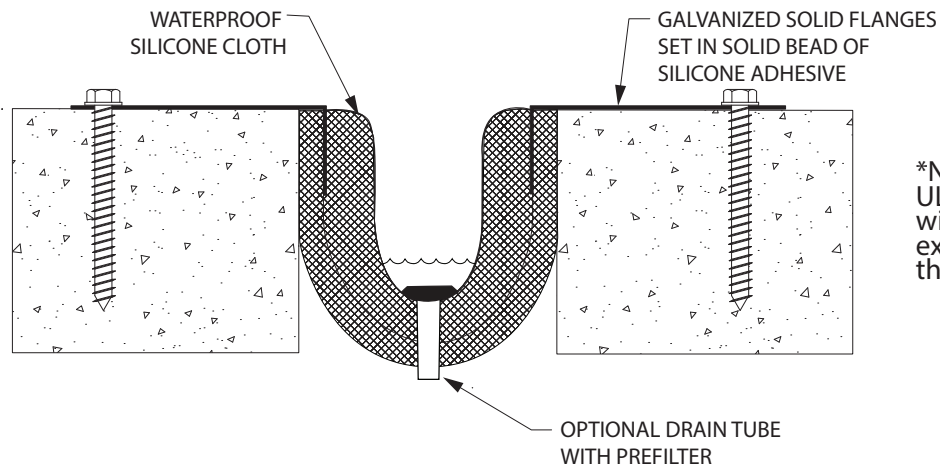
Bottom Mount - Wall to Wall  
(300-A01-100 System Shown)



# Fireline™ 520

## Options

### "Water Guard" System - Drain Option

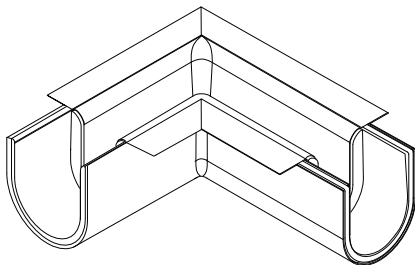


\*NOTE: For all assemblies, the UL approved wall assembled with hourly rating must not exceed the hourly rating of the F520 Fire Blanket.

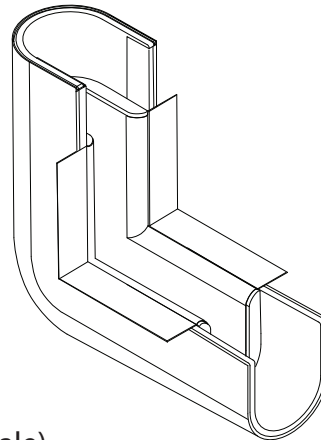
### Pre-Fabricated Directional Changes

Available In Both Floor/Floor & Floor/Wall Conditions (Top Mount Shown)

"L" Transition

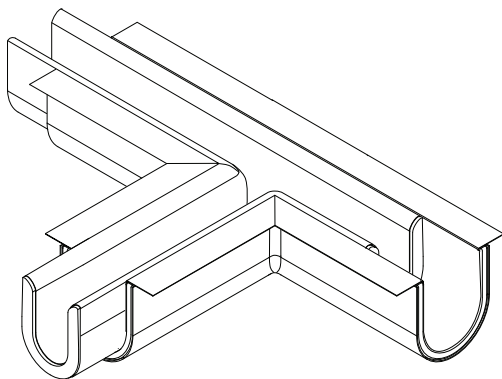


Horizontal to Vertical Transition



(All End Conditions are Female)

"T" Transition



"X" Transition

