

# Installation Instructions

Please read all instructions before installing corner guard.

## Fire Rated Corner Guards

Models: 150FR, 160FR, 170FR, 130FR, G2-150FR, G2-160FR, G2-170FR, G2-130FR

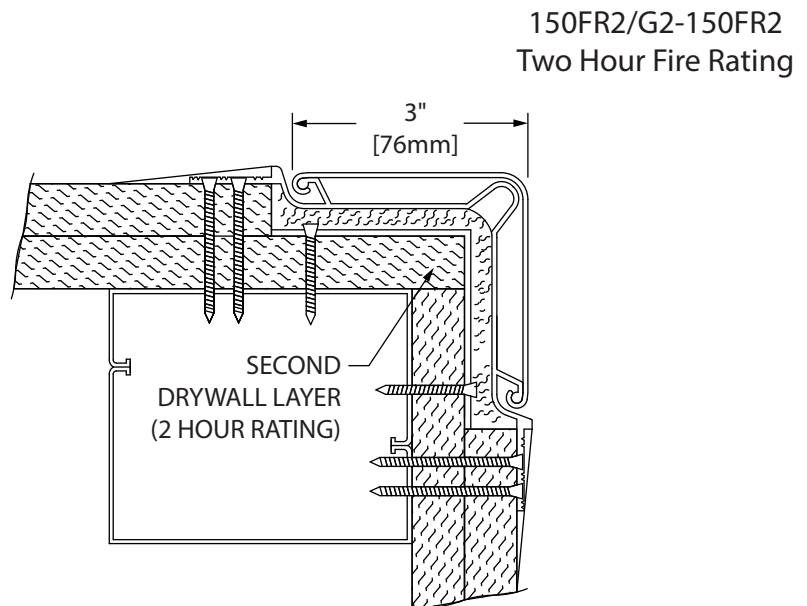
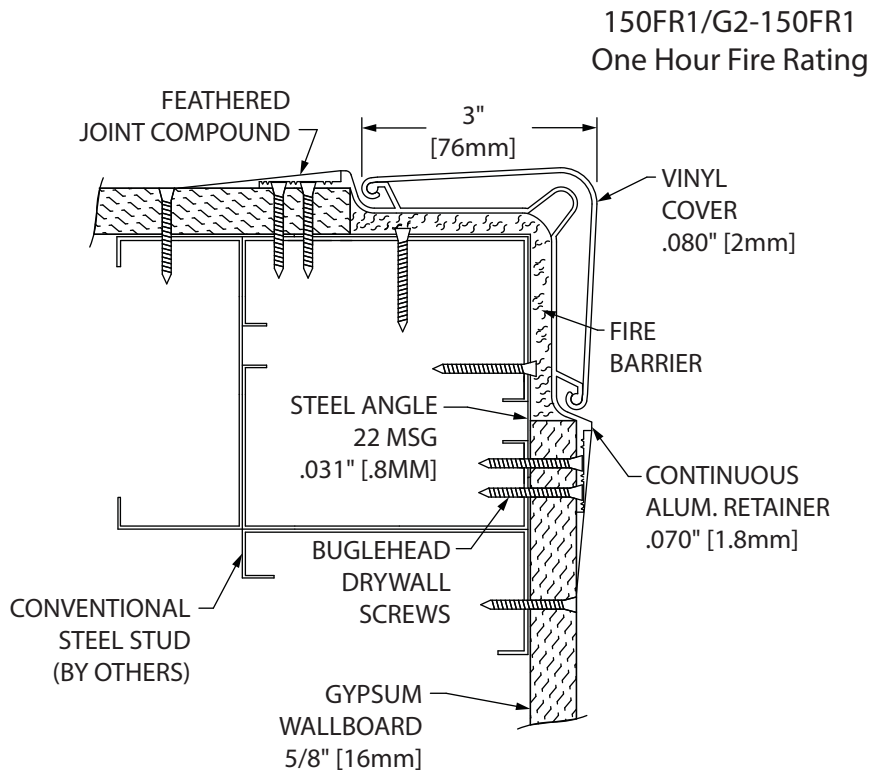
### Important

1. Acclimate materials 24 hrs before installation. Maintain temperature controlled environment after installation
2. Install in accordance with manufacturer's installation instructions. Failure to do so will void the warranty.

### Installation tips

1. Cut covers up to 1/16" (1.6mm) longer to ensure a tight fit.

### Section Views



### Recommended tools

Safety Glasses, Tape Measure, Level, Power Drill, 1/4" Socket, Drill Bits - 1/4" masonry (concrete/concrete block), Power Miter Saw, 10" Blade with 60-80 Carbide Tipped Teeth

IPC.423/REV.6

Installation Hotline • 866.EZINPRO  
Inprocorp.com • 800.222.5556 • 262.679.9010  
World Headquarters S80 W18766 Apollo Drive, Muskego, WI 53150 USA

**IPC** •  
DOOR + WALL PROTECTION SYSTEMS  
A DIVISION OF INPRO®

# Installation Instructions

Please read all instructions before installing corner guard.

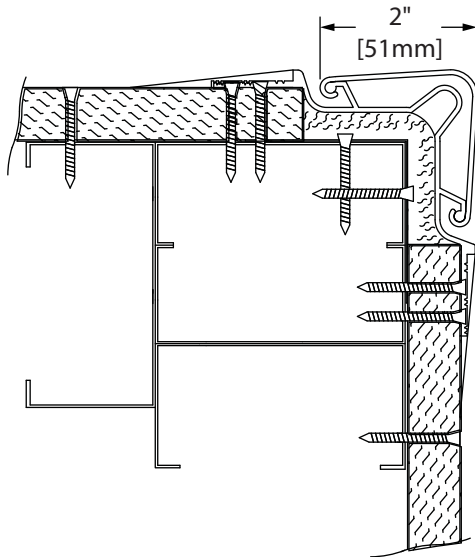
## Fire Rated Corner Guards

Models: 150FR, 160FR, 170FR, 130FR, G2-150FR, G2-160FR, G2-170FR, G2-130FR

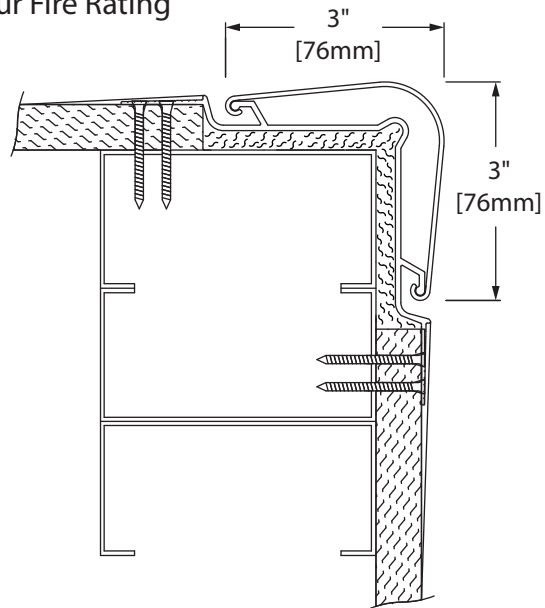
### Section Views Cont.

**NOTE:** For a detailed view of component call outs, view the diagram on page 1. Each Corner Guard option depicted below aslo as a two hour fire rating option as depicted on page 1.

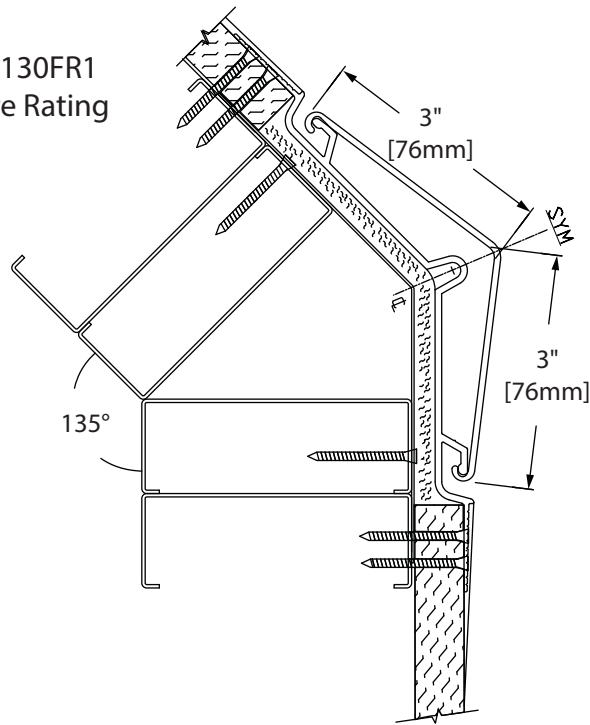
160FR1/G2-160FR1  
One Hour Fire Rating



170FR1/G2-170FR1  
One Hour Fire Rating



130FR1/G2-130FR1  
One Hour Fire Rating



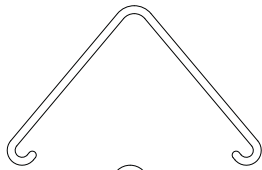
# Installation Instructions

Please read all instructions before installing corner guard.

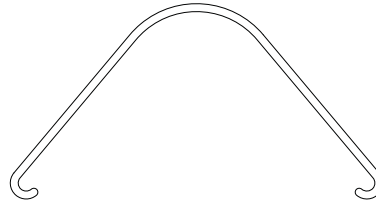
## Fire Rated Corner Guards

Models: 150FR, 160FR, 170FR, 130FR, G2-150FR, G2-160FR, G2-170FR, G2-130FR

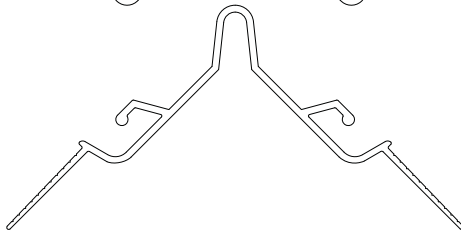
### Components and Fasteners



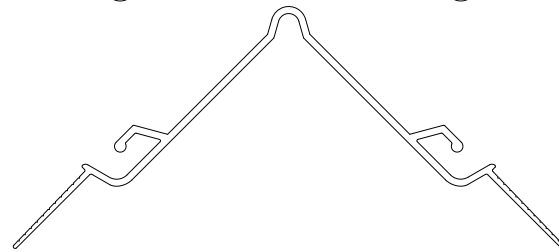
160 V  
VINYL  
COVER



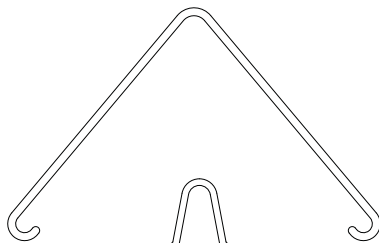
170 V  
VINYL  
COVER



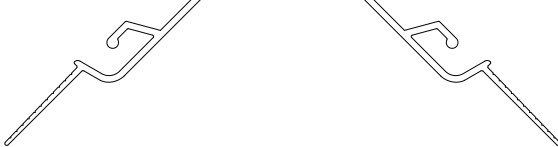
1612FRA  
ALUMINUM  
RETAINER



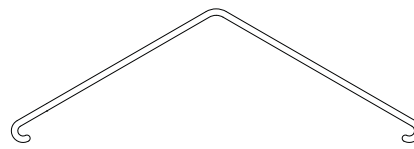
1712FRA  
ALUMINUM  
RETAINER



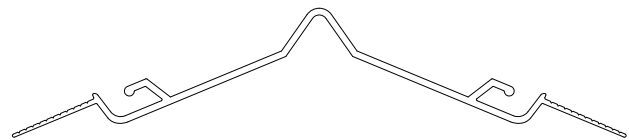
150 V  
VINYL  
COVER



1512FRA  
ALUMINUM  
RETAINER



130 V  
VINYL  
COVER



1312FRA  
ALUMINUM  
RETAINER

Condition	Specified Fasteners	Inpro Part #
Drywall/Wood	1 1/4" Bugle Head Screw (1 5/8" For Two Hour Option)	HWK-FLUSH
Top Cap Hardware	#8 x 1 1/2" Indented Phillips Hex Head Self Drilling Washer Screw	HW19

Installation Hotline • 866.EZINPRO  
 Inprocorp.com • 800.222.5556 • 262.679.9010  
 World Headquarters S80 W18766 Apollo Drive, Muskego, WI 53150 USA

**IPC**® •  
 DOOR + WALL PROTECTION SYSTEMS  
 A DIVISION OF INPRO®

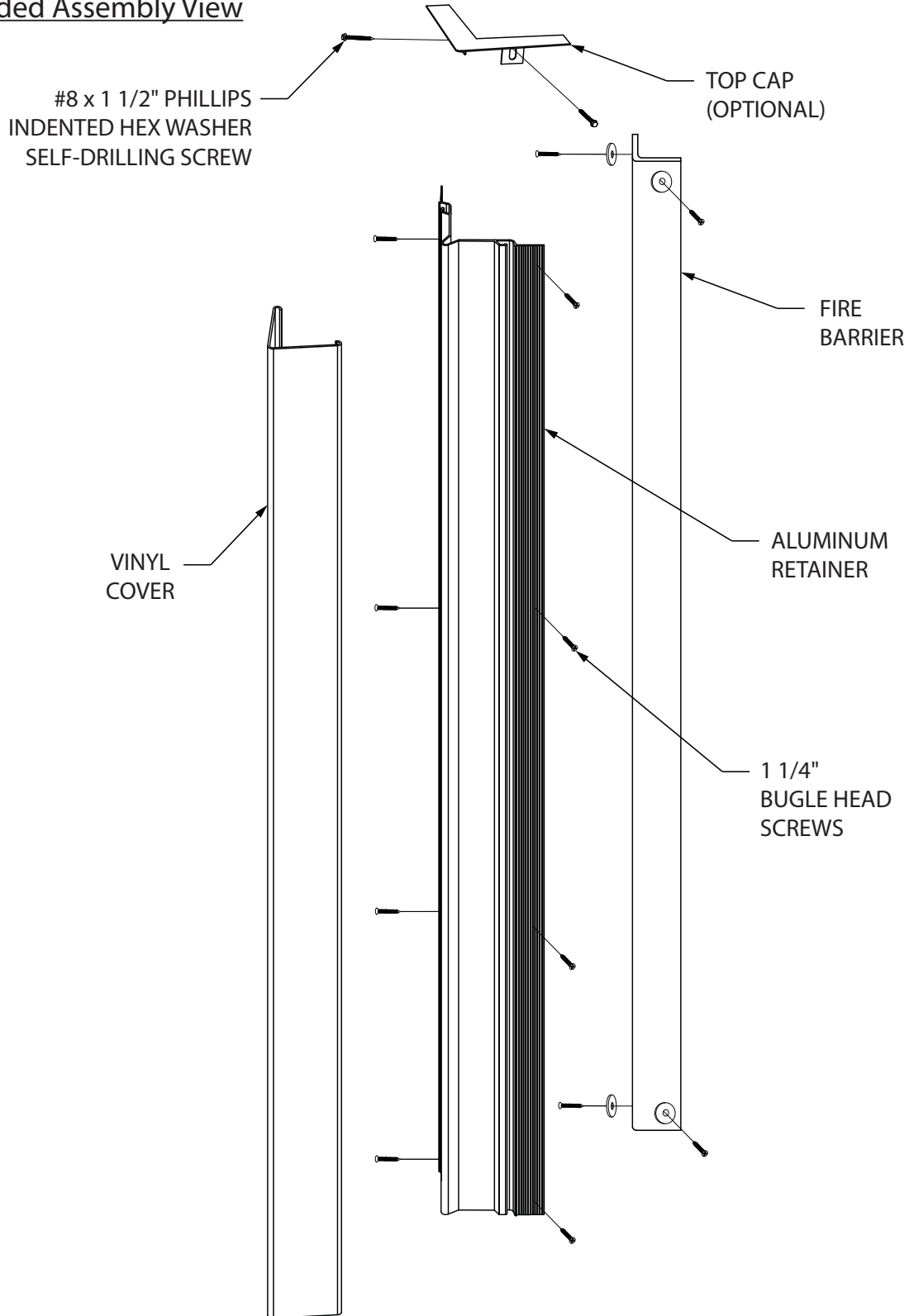
# Installation Instructions

Please read all instructions before installing corner guard.

## Fire Rated Corner Guards

Models: 150FR, 160FR, 170FR, 130FR, G2-150FR, G2-160FR, G2-170FR, G2-130FR

### Exploded Assembly View



Installation Hotline • 866.EZINPRO  
Inprocorp.com • 800.222.5556 • 262.679.9010

World Headquarters S80 W18766 Apollo Drive, Muskego, WI 53150 USA

**IPC** •  
DOOR + WALL PROTECTION SYSTEMS  
A DIVISION OF INPRO®

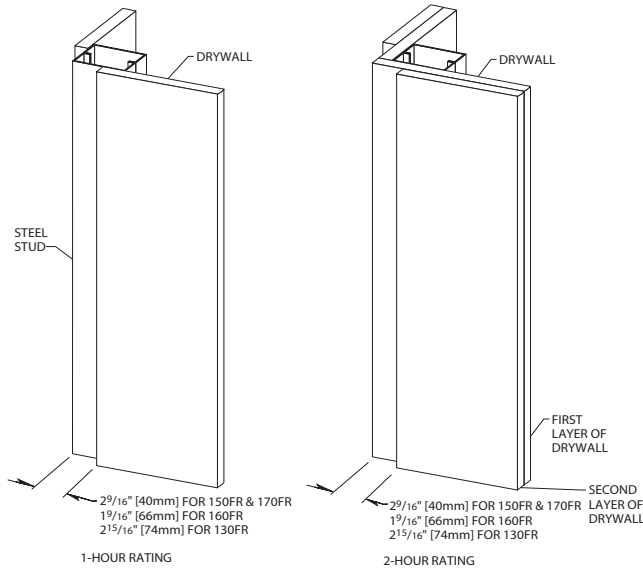
# Installation Instructions

Please read all instructions before installing corner guard.

## Fire Rated Corner Guards

Models: 150FR, 160FR, 170FR, 130FR, G2-150FR, G2-160FR, G2-170FR, G2-130FR

FIG. 1



To maintain fire rating, corner guard assembly must be installed from floor to ceiling.

### 1. DRYWALL INSTALLATION

From the corner of the steel stud (one hour fire rating) or the corner formed by the first layer of drywall (two hour fire rating), drywall must be held back:

29/16" (65mm) back for models 150FR and 170FR

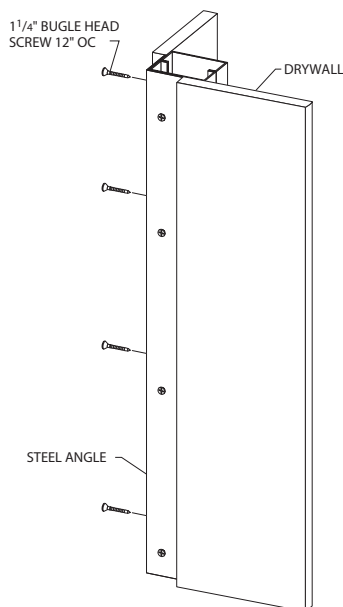
19/16" (40mm) back for model 160FR

215/16" (75mm) back from the imaginary apex where the steel studs would intersect to form a 135° corner for model 130FR

SEE FIG. 1

2. Position steel angle over the studs that form the corner of the wall (one hour fire rating) or second layer of drywall (two hour fire rating). Secure steel angle by staggering fasteners on each wing. SEE FIG. 2

FIG. 2



Installation Hotline • 866.EZINPRO

Inprocorp.com • 800.222.5556 • 262.679.9010

World Headquarters S80 W18766 Apollo Drive, Muskego, WI 53150 USA

IPC®

DOOR + WALL PROTECTION SYSTEMS  
A DIVISION OF INPRO®

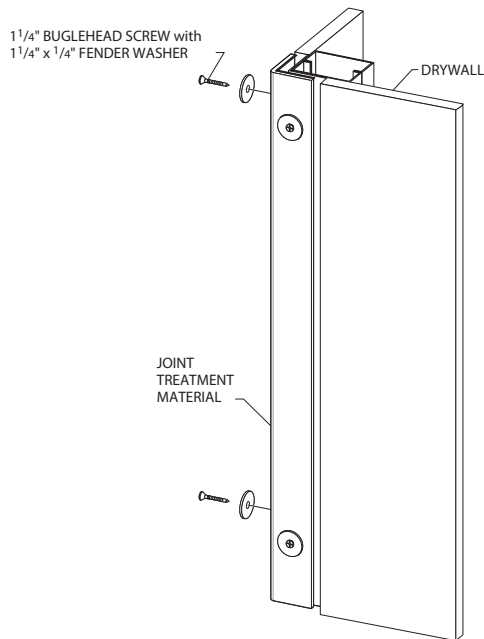
# Installation Instructions

## Fire Rated Corner Guards

Models: 150FR, 160FR, 170FR, 130FR, G2-150FR, G2-160FR, G2-170FR, G2-130FR

Please read all instructions before installing corner guard.

FIG. 3



3. Position joint treatment material (foil faced, flexible mat) over steel angle. Secure at the top and bottom of each wing. SEE FIG. 3

4. Position aluminum retainer over the fire barrier with mounting flange of retainer resting over edge of drywall. If using aluminum cove base retainer, snap it on the aluminum retainer before attaching retainer to stud. Secure retainer by staggering fasteners in the pre-punched holes on the mounting flange of each wing. SEE FIG. 4

5. Cover mounting flange with joint compound. Feather and finish with surface of drywall. After the drywall is finished, position cover over the aluminum retainer. Push the cover over the retainer, pressing over the entire length until the cover snaps in place. SEE FIG. 5

FIG. 4

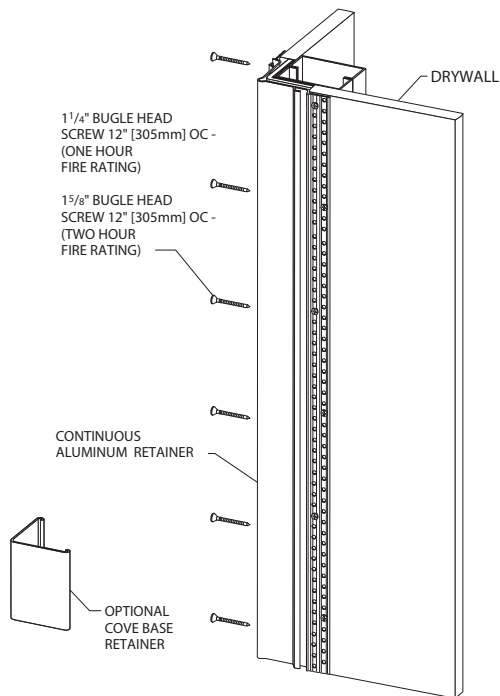


FIG. 5

