

# Formatrac® Bendable Track

## Installation Instructions

FIG. 1a

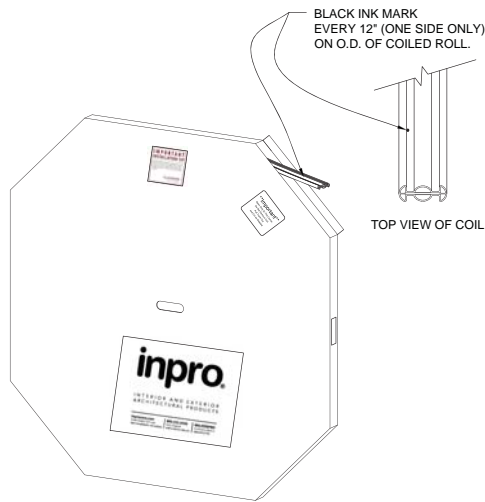
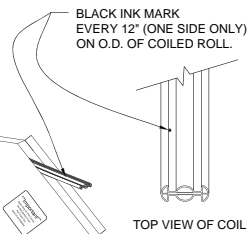


FIG. 1b.

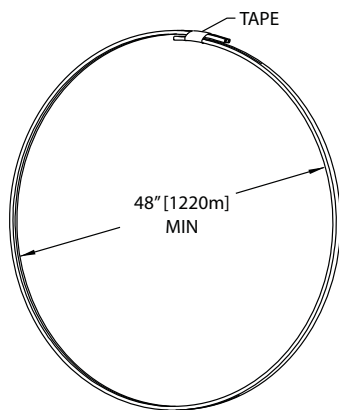


1. Determine the length of track needed. Open corner of the box and pull out the number of feet needed as illustrated in FIG.1a. Small dots are printed every 12" on the side of the track as shown in FIG.1b. Use this as an aid when measuring. Cut the track with a hack saw.

2. **IMPORTANT:** To help straighten rolled track, gently reverse roll the section of track to be installed. When reverse rolling do not roll too tightly; keep roll diameter at approximately 4 to 5 feet [1220mm to 1524mm]. See FIG. 2

3. Determine the layout of track on the ceiling to decide the location of ceiling clip assemblies and the amount of track needed.

FIG. 2



Ceiling with ceiling grid.

4. Attach ceiling clip assembly to the ceiling grid every 18" -24" [458mm to 610mm] on average. Additional clips may be required 6" [153mm] before and 6" [153mm] after a bend. Slide the ceiling clip over the ceiling grid. Push the clip tight to the ceiling grid and secure it by tightening the screw. See FIG. 3a & 3b.

FIG. 3a

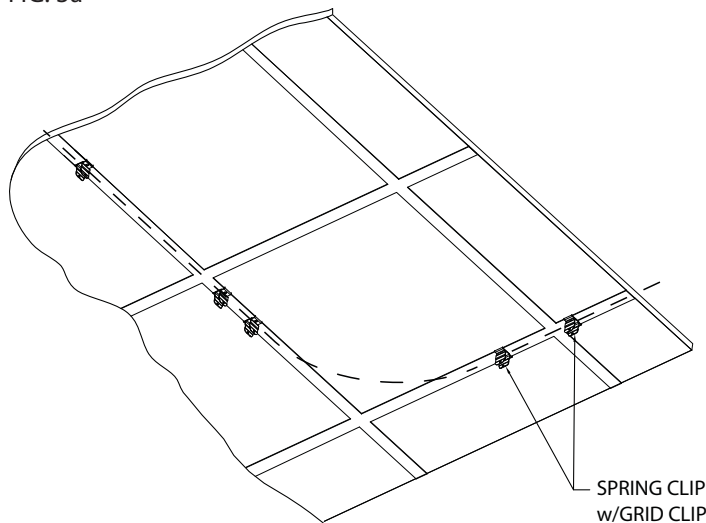
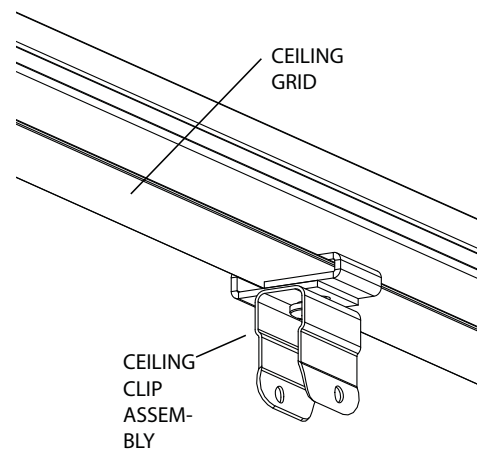


FIG. 3b



IPC.1197/REV5

# Formatrac® Bendable Track

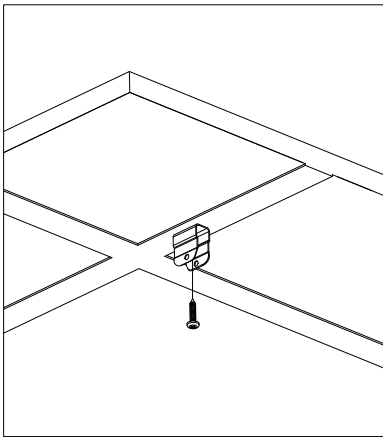
## Installation Instructions

Ceiling without ceiling grid.

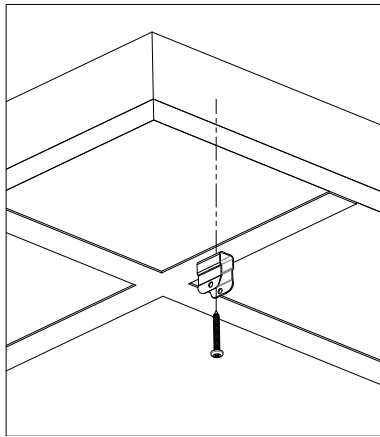
\*\*If attaching spring clip to the ceiling grid without the gridclip, use a #8 x 3/4" pan head sheet metal screw and fasten the spring clip to the grid. (Installer supplied)

For other ceiling types, attach spring clips to the ceiling with fasteners appropriate for that substrate.

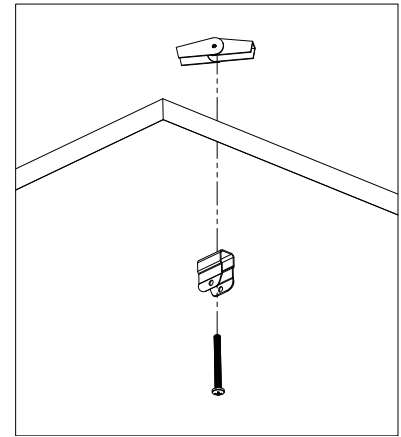
CEILING GRID



WOOD BLOCKING



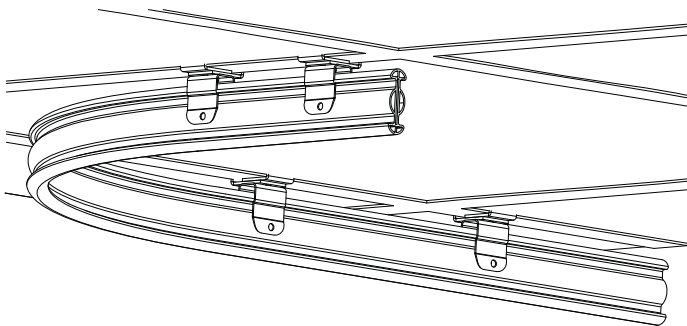
SHEET ROCK



5. Start at one end of the installation and snap the track into the spring clip. Continue to the next clip and snap the track into place until the entire track is installed. See FIG. 4.

If needed, add ceiling clip assemblies where the track bends.

FIG. 4



# Formatrac® Bendable Track

## Installation Instructions

6. Attach carriers to the curtain. If using an end cap with hook, leave the grommet on that end of the curtain without a carrier. Slide carriers on the track from one end. See FIG 5.

FIG. 5

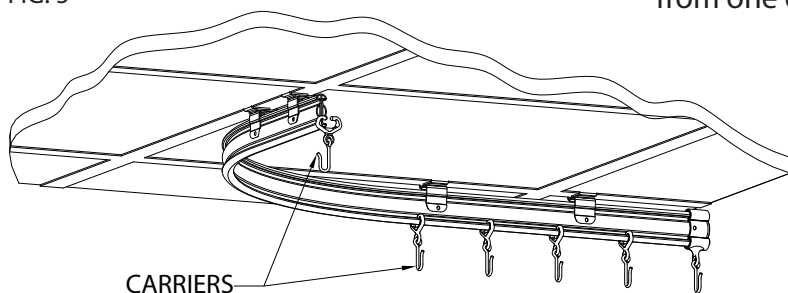


FIG. 6a

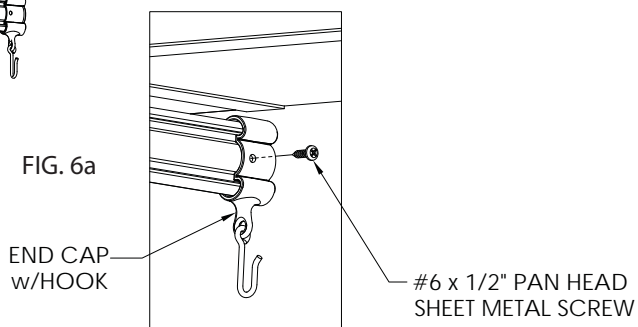
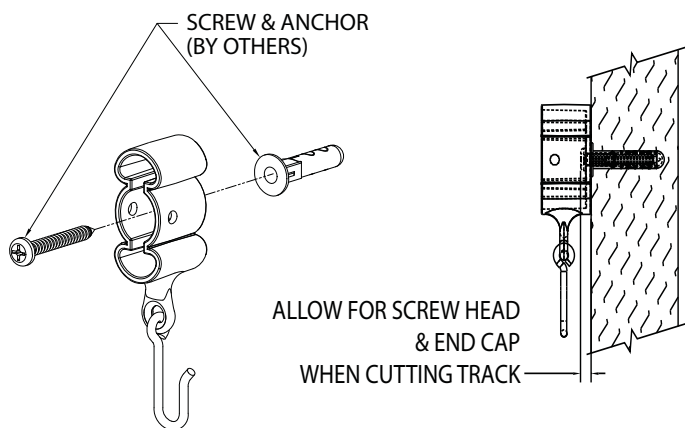


FIG. 6b



7. Attached end caps to track with #6 x 1/2 pan head sheet metal screw. See FIG. 6a. If required, attach end cap to wall with a screw and anchor. See FIG.6b

As an option, secure the track with sheet metal screw thru the spring clip. See FIG. 6c

8. If used, hook the end grommet to the end cap with hook.

FIG. 6c

