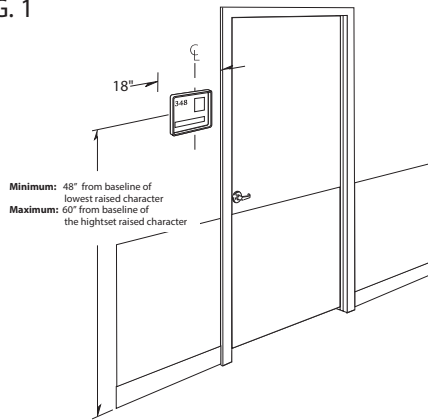


Installation Instructions

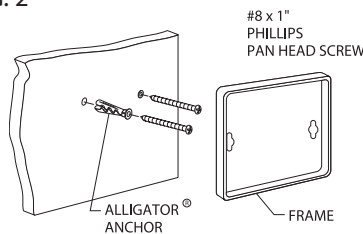
Framed Wall Mount Signage

FIG. 1



1. DETERMINE SIGN LOCATION ON WALL. (See Figure 1)
 - a. The Americans with Disabilities Act (ADA) and Building Codes regulate the placement of signage in buildings. Follow building codes when installing signage. ADA Regulation 703.4.1: Height above Finished Floor or Ground. Where permanent identification is provided for rooms and spaces, signs shall be installed on the wall adjacent to the latch side of the door. Where there is no wall space to the latch side of the door, including at double leaf doors, signs shall be placed on the nearest adjacent wall. Tactile characters on signs shall be located 48" minimum above the finished floor, measured from the baseline of the lowest tactile character and 60 inches maximum above the finished floor, measured from the baseline of the highest tactile character.

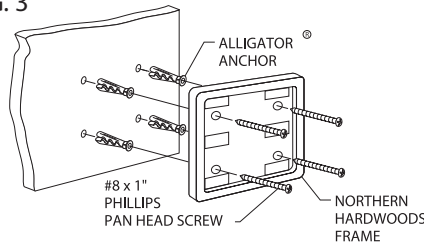
FIG. 2



2. INJECTION MOLDED, VINYL & ALUMINUM FRAMES (See Figure 2)
 - a. Mark holes on the wall using the signage frame as a template.
 - b. Drill 1/4" holes for the Alligator anchors and push the anchor into the holes.
 - c. Insert and screw the #8 x 1" Phillips pan head screws into the Alligator anchors leaving enough room for the sign frame to slide over the fastener head.
 - d. Slide the frame over the fastener and tighten the fasteners.

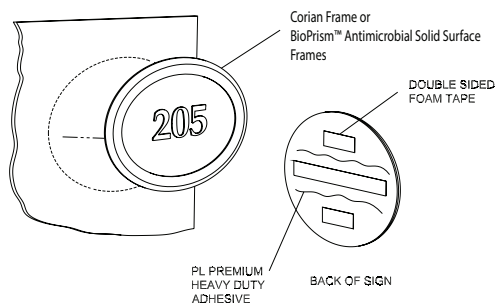
Note: Larger frames will be provided with additional mounting holes on the horizontal sections of the frame. Use these holes to securely attach the frame to the wall.

FIG. 3



3. NORTHERN HARDWOODS FRAMES. (See Figure 3)
 - a. Mark holes on wall using the signage frame as a template.
 - b. Drill 1/4" holes for Alligator anchors and push the anchors into the holes.
 - c. Mount wood frame to the wall with #8 x 1" Phillips pan head screws screwed into the Alligator anchors.

FIG. 4



4. LARGER SIGNS, BioPrism™ Solid Surface Signs, PHOTOPOLYMER LAMINATE SIGNS AND LAMINATE SIGNS (See Figure 4)
 - a. The wall must be dry, well sealed and free of dirt, loose paint, wax and grease.
 - b. Mark the location of the sign on the wall.
 - c. Sign is applied using a combination of PL Premium Heavy Duty Adhesive and double sided foam tape. Apply beads of PL Premium between the strips of foam in a zigzag pattern. Remove release liner from the double sided foam tape.
 - d. Position the sign on the wall making sure that the sign is level.
 - e. Press the sign to the wall making firm contact between the adhesive/foam tape and the wall surface.

5. ATTACHING THE SIGN PANEL TO THE FRAME

IPC.965/REV.14

Installation Instructions

Framed Wall Mount Signage

WARNING: Failure to apply firm pressure may result in sign panel delamination from frame.

FIG. 5

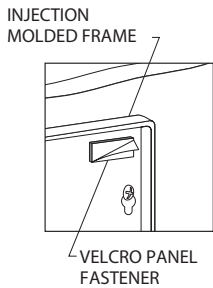


FIG. 6

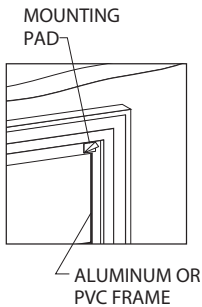


FIG. 7

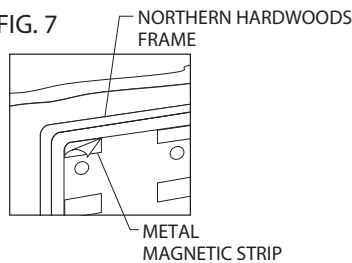


FIG. 8a

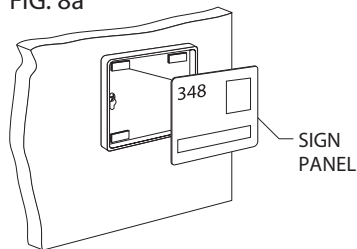
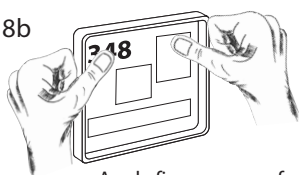


FIG. 8b



Apply firm pressure for 3 seconds on sign panel at fastener locations

FIG. 8c

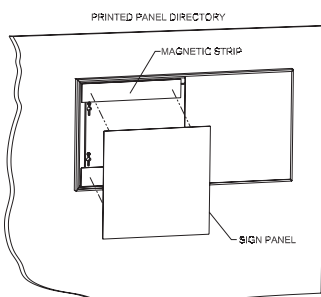


FIG. 9

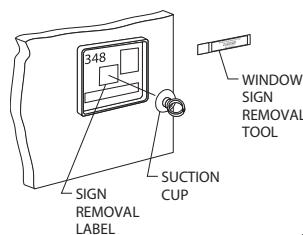


FIG. 10

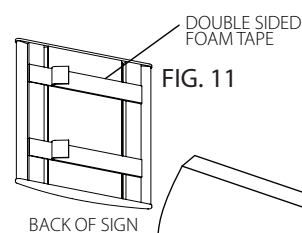
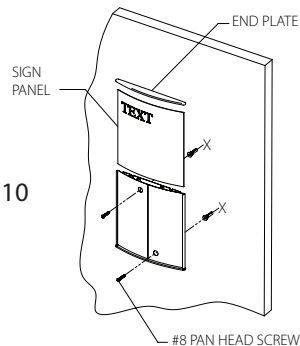


FIG. 11

- For injection molded frames - remove the release liner from the velcro panel fastener snaps located in the frame. (See Figure 5)
- For extruded aluminum and vinyl frames - remove the release liner from the mounting pads located on the frame. (See Figure 6)
- For Northern Hardwoods - remove the release liner from the metal magnetic strip. (See Figure 7)

d. Properly align the sign panel in the frame and apply firm pressure for 3 seconds over the velcro panel fastener snaps/mounting tabs/magnetic strips to secure the sign panel in the frame.

Warning: Failure to apply firm pressure may result in sign panel delamination from frame. (See Figures 8a, 8b & 8c)

- To remove sign panel, use the suction cup and sign panel removal label. (See Fig.9)
- To replace window sign insert, use the window sign removal tool. (See Figure 9)

6. CURVED FACE - MECHANICAL FASTENERS (See Figure 10)

- Remove one end plate from sign frame.
- Mark holes on wall using the signage frame as a template.
- Drill 1/4" holes for Alligator anchors/push anchors into holes.
- Mount curved frame to wall with #8 pan head screws, screwed into the Alligator anchors.
- Slide sign panel into the frame.
- Reattach end plate to the sign frame.

7. CURVED FACE - FOAM TAPE (See Figure 11)

- Mark the location of the sign on the wall.
- Sign is applied using double-sided foam tape. Remove release liner from the double-sided foam tape.
- Position the sign on the wall making sure that the sign is level.
- Press sign to wall making firm contact between foam tape and wall surface.