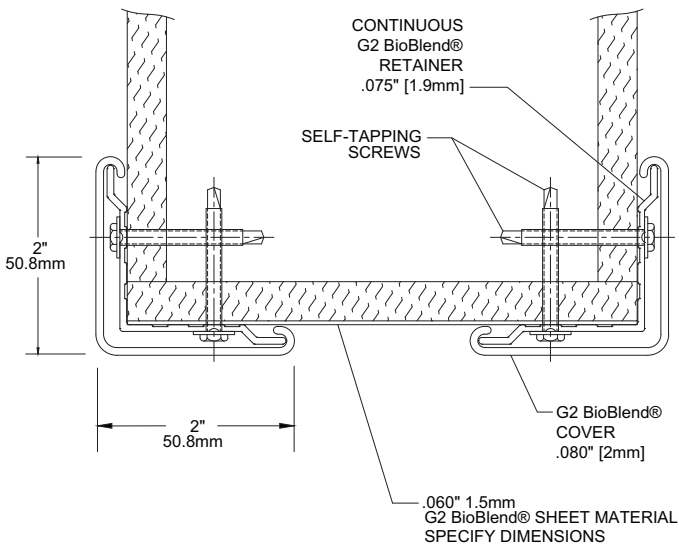


EnviroGT G2-160RD

End Wall Protector with G2 Retainers



- Non-PVC cover is manufactured with G2 BioBlend®, Inpro's exclusive blend of PETG and biopolymer.
- Protect end wall conditions from damage
- End wall protectors combine two 2" wing corner guards with G2 BioBlend® Sheet
- Recycled G2 BioBlend® Retainers.
- Coordinate interiors with standard colors
- Meets the most rigorous standards and criteria of chemical emissions as prescribed by the GREENGUARD Environmental Institute
- Has been tested and meets GREENGUARD Environmental Institute's and the state of California's requirements for low emitting products as tested by Air Quality Sciences
- Has been tested and meets the GREENGUARD Children & School chemical emissions levels



IPC.1747/REV.3

EnviroGT G2-160RD End Wall Protector

Suggested Specifications

PART 1 - GENERAL

1.01 SUMMARY

- A. Non PVC end wall protector systems for wall protection and decoration

1.02 SECTION INCLUDES

- A. G2-160RD End Wall Protector Systems with G2 Retainers

1.03 REFERENCES

- A. American National Standards Institute (ANSI)
- B. American Society for Testing and Materials (ASTM)
- C. National Fire Protection Association (NFPA)
- D. Society of Automotive Engineers (SAE)

1.04 SYSTEM DESCRIPTION

- A. Performance Requirements: Provide end wall protector systems that conform to the following requirements of regulatory agencies and the quality control of IPC Door and Wall Protection Systems, InPro Corporation.

1. Fire Performance Characteristics: Provide material conforming with the NFPA Class A fire rating. Surface burning characteristics, as determined by ASTM E-84, shall be flame spread of 25 or less and smoke development of 450 or less.
2. Impact Strength: Provide materials that have been tested in accordance with the applicable provisions of ASTM D-256, Impact Resistance of Plastics.
3. Chemical and Stain Resistance: Provide material that shows resistance to stain when tested in accordance with applicable provisions of ASTM D-543.
4. Fungal and Bacterial Resistance: Provide material that does not support fungal or bacterial growth as tested in accordance with ASTM G-21 and ASTM G-22.
5. GREENGUARD Certified: Provide GREENGUARD Certified material. Profiles shall meet the requirements of GREENGUARD Certification Standards for Low-Emitting Products and GREENGUARD Product Emission Standard for Children & Schools.
6. Color Consistency: Provide components matched in accordance with SAE J-1545 - (Delta E) with a color difference no greater than 1.0 units using CIE Lab, CIE CMC, CIE LCh, Hunter Lab or similar color space scale systems.

1.05 SUBMITTALS

- A. Product Data: Manufacturer's printed product data for each product indicated in this section.
- B. Detail Drawings: Mounting details with the appropriate fasteners for specific project substrates.
- C. Samples: Verification samples of end wall protector, 8" (203mm) long, in full size profiles of each type and color indicated.
- D. Manufacturer's Installation Instructions: Printed installation instructions for each end wall protector.

1.06 DELIVERY, STORAGE AND HANDLING

- A. Deliver materials in unopened factory packaging to the jobsite
- B. Inspect materials at delivery to assure that specified products have been received.
- C. Store in original packaging in a climate controlled location away from direct sunlight.

1.07 PROJECT CONDITIONS

- A. Environmental Requirements: Install products in an interior climate controlled environment.

1.08 WARRANTY

- A. Standard IPC Limited Lifetime Warranty against material and manufacturing defects.

PART 2 - PRODUCTS

2.01 MANUFACTURER

- A. Acceptable Manufacturer: IPC Interior Protection Products
InPro Corporation, PO Box 406, Muskego, WI 53150, USA
Telephone: 800.222.5556, Fax: 888.715.8407
www.inprocorp.com
- B. Substitutions: Not permitted
- C. Provide all end wall protectors and wall protection from a single manufacturer.

2.02 MANUFACTURED UNITS

- A. End Wall Protector
 1. G2-160RD End Wall Protector Profile with G2 Retainers and G2 sheet
 - 2" (51mm) x 2" (51mm) 90 degree End Wall Width: Specify
 - Standard corner guard height: 12' (3.66m)
 - Sheet height: 8' (2.44m) maximum
 - Options: Custom heights available.

2.03 MATERIALS

- A. G2 BioBlend®, a blend of PETG and biopolymer: Snap-on cover of .080" (2mm) thickness shall be extruded from chemical and stain resistant G2 BioBlend®.
- B. Recycled G2 BioBlend®, a blend of PETG and biopolymer: Retainer of .075" (2mm) thickness shall be extruded from chemical and stain resistant recycled G2 BioBlend®.

2.04 COMPONENTS

- A. Top Caps shall be made of injection molded thermoplastics.
- B. Fasteners: All mounting system accessories appropriate for substrates indicated on the drawing shall be provided.

2.05 FINISHES

- A. Corner Guard Covers: End wall protector colors to be selected by the architect from the IPC finish selection.
- B. Molded components: Top Caps shall be of a color matching the corner guards. Surface shall have a pebble texture.

PART 3 - EXECUTION

3.01 EXAMINATION

- A. Examine areas and conditions in which the end wall protectors will be installed.
 1. Complete all finishing operations, including painting, before beginning installation of end wall protector system materials.
 2. Wall surface shall be dry and free from dirt, grease and loose paint.

3.02 PREPARATION

- A. General: Prior to installation, clean substrate to remove dust, debris and loose particles.

3.03 INSTALLATION

- A. General: Locate end wall protectors as indicated on approved detail drawings for the appropriate

substrate and in compliance with the IPC installation instructions. Install end wall protectors level and plumb at the height indicated on the drawings.

B. Installation of the G2-160RD End Wall Protectors:

1. Adhere sheet material to the wall with factory applied adhesive backing or recommended InPro adhesive Fastbond 30 Contact Cement or XT-2000 Adhesive.
2. Position the retainer against the wall, allowing 5/16" (8mm) from the bottom of the retainer to the top of the cove base or baseboard for the bottom cap.
3. Secure the retainer to the wall using 1-1/4" Phillips round head, self-tapping screws if mounting on drywall. Use 16 screws per 12' (3.66m) length. Used the slotted tabs on the top and bottom cap to transfer marks onto the retainer. Holes should be staggered 1/4" from each wing.
4. Attach the top and bottom caps to the retainer using two, 1-1/4" Phillips flat head, self-tapping screws per cap if mounting on drywall. The mounting tabs for the top and bottom caps overlap the retainer.
5. Position the cover on the retainer to check the fit. Adjust the top cap on the retainer to obtain a tight fit with the cover. Starting at the top, push the cover over the retainer, pressing over the entire length until the cover snaps securely into place. Attach the second corner guard in the same manner.

3.04 CLEANING

- A. At completion of the installation, clean surfaces in accordance with the IPC clean-up and maintenance instructions.

END OF SECTION