

Installation Instructions

HR3/G2 BioBlend®-HR3 Wood Handrail - Pre-Assembled Length

Please read all instructions before installing.

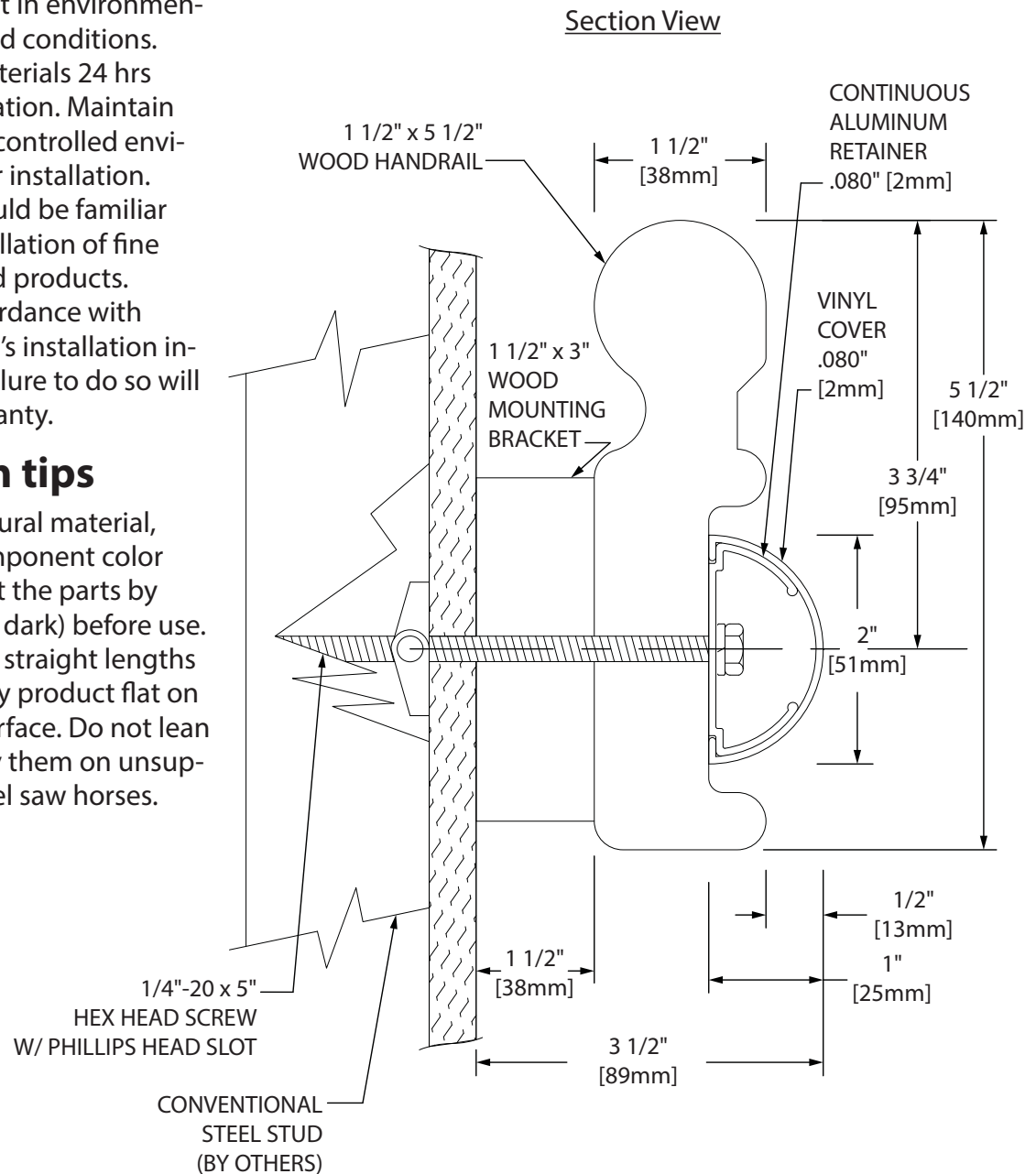
Material must be stored, installed and used in environmentally controlled conditions.

Important

1. Install product in environmentally controlled conditions.
2. Acclimate materials 24 hrs before installation. Maintain temperature controlled environment after installation.
3. Installers should be familiar with the installation of fine finished wood products.
4. Install in accordance with manufacturer's installation instructions. Failure to do so will void the warranty.

Installation tips

1. Wood is a natural material, therefore component color may vary. Sort the parts by color (light to dark) before use.
2. When storing straight lengths of material, lay product flat on supported surface. Do not lean the rails or lay them on unsupported parallel saw horses.



RECOMMENDED TOOLS

Safety Glasses, Tape Measure, Level, Chalk Line, Power Drill/Nailer, Drill Bits, Socket or Hex Drive Set, Phillips Head Screwdriver and a Radial Arm Saw or Power Miter Box with Carbide Tipped 60-80 Tooth Blade

IPC.308/REV.6

Installation Hotline • 866.EZINPRO
Inprocorp.com • 800.222.5556 • 262.679.9010
World Headquarters S80 W18766 Apollo Drive, Muskego, WI 53150 USA

IPC®
DOOR + WALL PROTECTION SYSTEMS
A DIVISION OF INPRO®

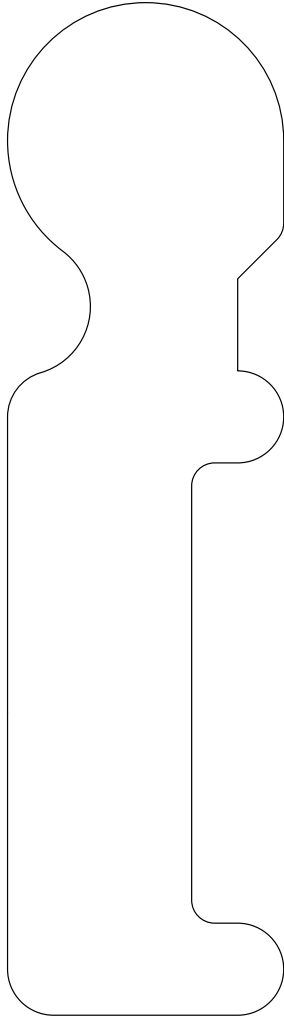
Installation Instructions

HR3/G2 BioBlend®-HR3 Wood Handrail - Pre-Assembled Length

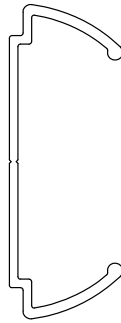
Please read all instructions before installing.

Material must be stored, installed and used in environmentally controlled conditions.

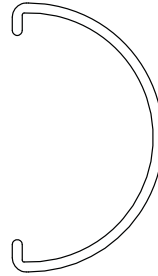
Component



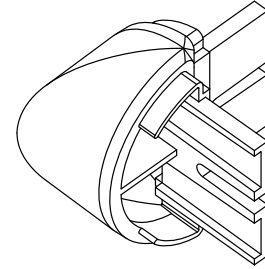
HR3
NORTHERN HARDWOOD
HANDRAIL



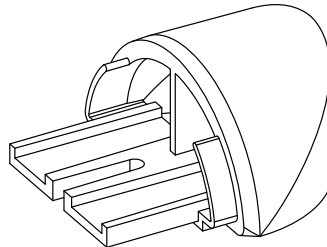
2500A
CONTINUOUS
ALUMINUM RETAINER



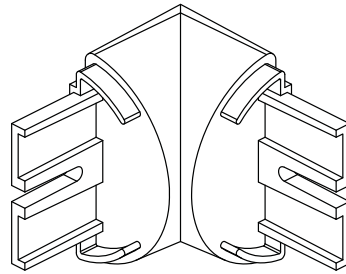
2500V
VINYL
COVER



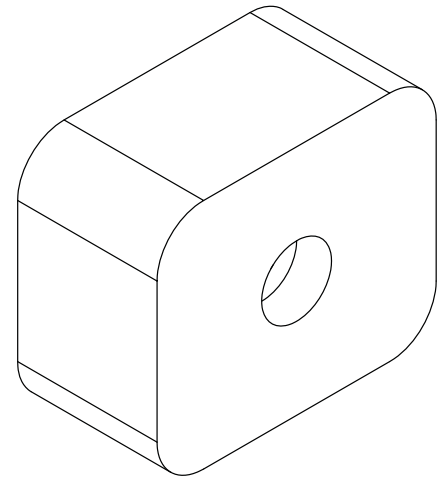
2502
90° OUTSIDE
CORNER



2501
END CAP



2503
90° INSIDE
CORNER



BRKFO
NORTHERN HARDWOOD
MOUNTING BRACKET

Fasteners

Wall Condition	Specified Fasteners	Inpro part #
Gypsum Wall	1/4"-20 x 5" Phillips Hex Head Toggle Bolt, Lockwasher and Toggle Wing Nut	HWK-801D
Wood	#8 x 1/2" Phillips Pan Head Wood Screw	HW22

Installation Hotline • 866.EZINPRO
Inprocorp.com • 800.222.5556 • 262.679.9010
World Headquarters S80 W18766 Apollo Drive, Muskego, WI 53150 USA

IPC®
DOOR + WALL PROTECTION SYSTEMS
A DIVISION OF INPRO®

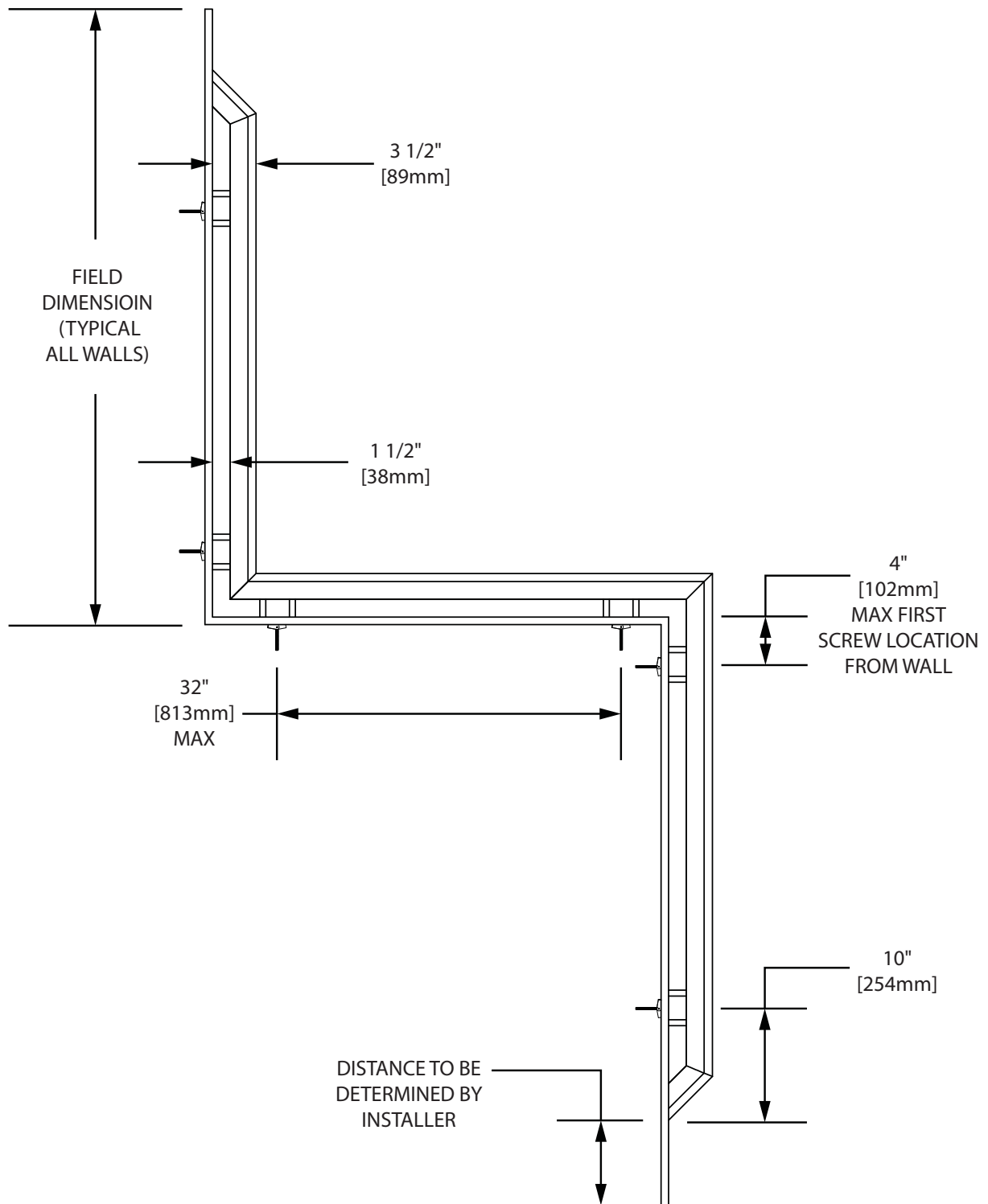
Installation Instructions

HR3/G2 BioBlend®-HR3 Wood Handrail - Pre-Assembled Length

Please read all instructions before installing.

Material must be stored, installed and used in environmentally controlled conditions.

Layout View



Installation Hotline • 866.EZINPRO

Inprocorp.com • 800.222.5556 • 262.679.9010

World Headquarters S80 W18766 Apollo Drive, Muskego, WI 53150 USA

IPC®

DOOR + WALL PROTECTION SYSTEMS
A DIVISION OF INPRO®

Installation Instructions

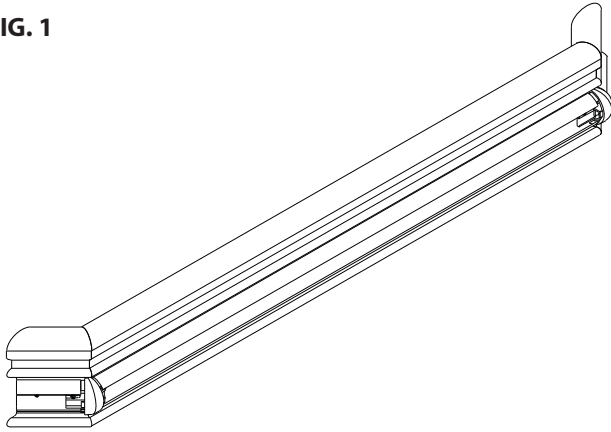
HR3/G2 BioBlend®-HR3 Wood Handrail - Pre-Assembled Length

Please read all instructions before installing.

Material must be stored, installed and used in environmentally controlled conditions.

Installation Instructions

FIG. 1



NOTE: For pre-assembled handrail, all handrails ship in pre-cut lengths with returns pre-assembled. If outside and inside corners are required, an extra 4" of rail is included to miter cut, glue and pin nail these corners. All boxes and components are marked to coincide with the floor plan drawings. Layout and identify the components needed for each section to be installed.

1. Determine height of handrail on wall. Measure down 3³/₄" (95mm) and snap chalk line.
SEE FIG. 1

2. Inside and outside corner conditions

a. Determine cut length of wood rail by measuring the distance from where the wood rail starts on the wall to the corner. For inside corners add 1¹/₂" (38mm) and for outside corners add 3" (76mm). Miter cut the rail in the proper direction. For inside corners, before mounting them to the wall, join the two miter cut pieces of rail, apply glue to the mating surfaces and pin nail the two pieces together with four 1¹/₄" finish nails. Wipe off excess glue with damp cloth. (SEE FIG. 2a). For outside corners, attach one section to wall, (see steps 3 and 4 for installation). Apply glue to the mating surface and pin nail the two pieces together with four 1¹/₄" finish nails. Wipe off excess glue with damp cloth. SEE FIG. 2b

b. Cut aluminum retainer to required length allowing for inside and outside corners. Attach aluminum to wood rail and secure. To attach molded corner pieces, drill a 3³/₁₆" (5mm) hole in the aluminum and secure. SEE FIG. 2c

FIG. 2a

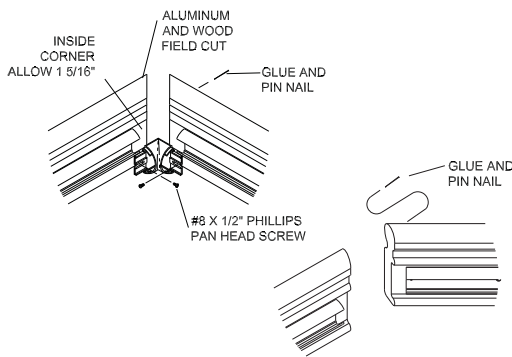


FIG. 2b

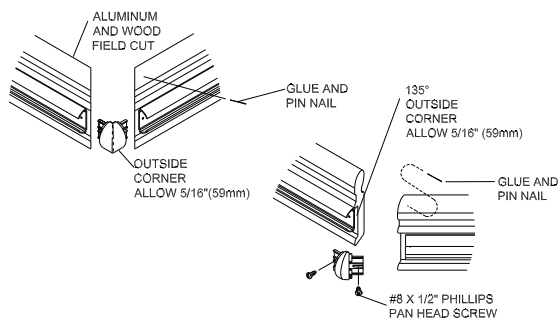
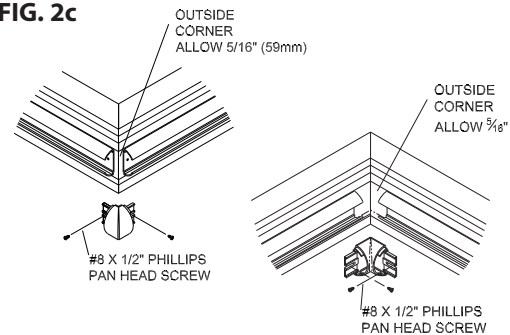


FIG. 2c



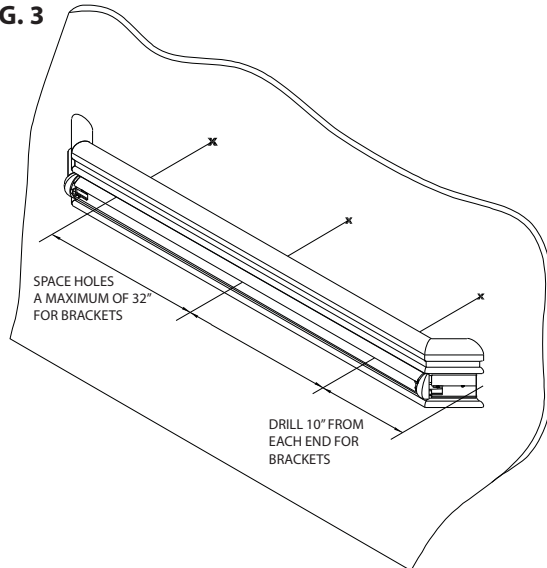
Installation Instructions

HR3/G2 BioBlend®-HR3 Wood Handrail - Pre-Assembled Length

Please read all instructions before installing.

Material must be stored, installed and used in environmentally controlled conditions.

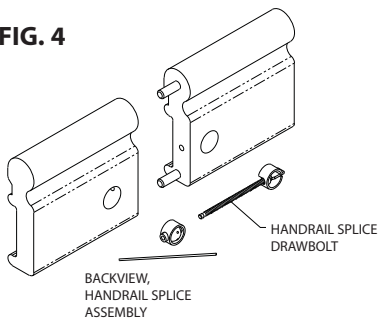
FIG. 3



3. Locate and mark bracket holes on the wood rail. Drill 1/4" (6mm) holes for the brackets on the centerline of the aluminum retainer and through the rail. Hold rail to wall at chalk line and mark bracket holes on the wall. Drill marked holes with 3/4" (19mm) drill bit for toggle bolts (metal studs), 5/32" (4mm) drill bit for wood screws (wood studs) or 1/4" (6mm) drill bit for Alligator anchors (masonry construction). SEE FIG. 3

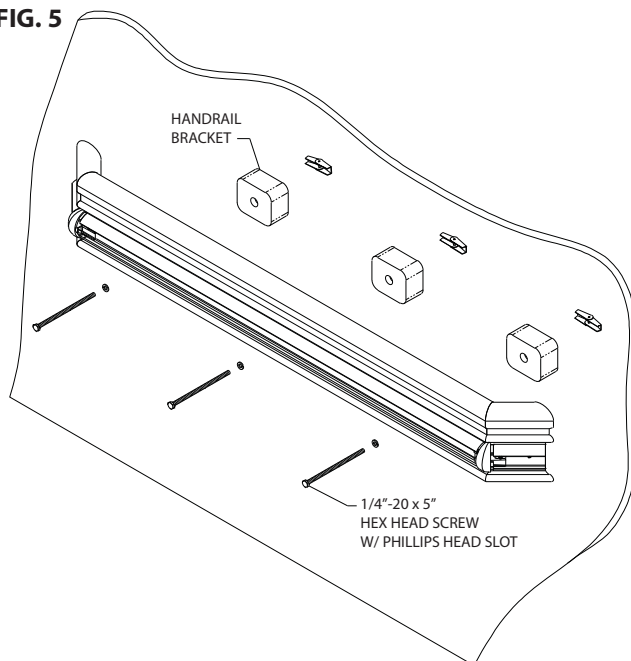
4. Before mounting rail to mounting brackets, longer sections of the handrail will require draw bolt splices and dowels. Holes for the draw bolt assembly are factory drilled into rail sections. Apply glue to both surface pieces to be joined and into the dowel holes. Insert dowels into holes and the unassembled parts of the draw bolt into the holes. Tighten the draw bolts with tightening tool. SEE FIG. 4

FIG. 4



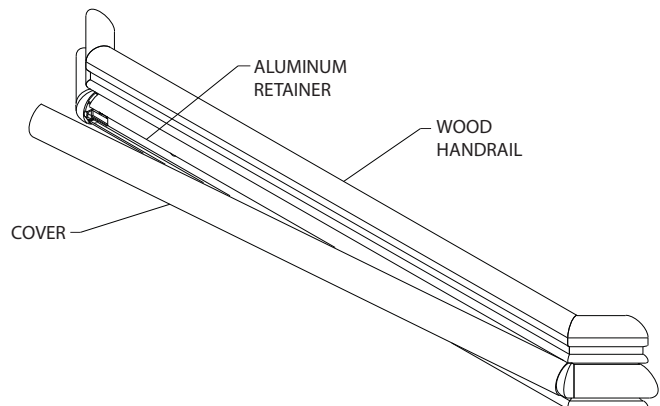
5. Position brackets on back of handrail at each mounting hole and insert appropriate fastener with lock washer through the front of the handrail and into the bracket. If using toggle wings or lead anchors, attach these to the back of the handrail. Mount on wall, level handrail and tighten screws to secure. SEE FIG. 5

FIG. 5



6. Position cover on aluminum retainer. When straight lengths mate with return pieces, the angle is 67.5° on each piece. Start at one end and push cover over retainer until it snaps into place. Fill any holes in the wood with the putty from the touch up kit. Clean up any wood glue with a damp cloth. Remove any surplus materials and debris upon completion of the installation. SEE FIG. 6

FIG. 6



Installation Hotline • 866.EZINPRO
 Inprocorp.com • 800.222.5556 • 262.679.9010
 World Headquarters S80 W18766 Apollo Drive, Muskego, WI 53150 USA

IPC®
 DOOR + WALL PROTECTION SYSTEMS
 A DIVISION OF INPRO®