

Installation Instructions

HR3/G2 BioBlend®-HR3 Wood Handrail - Stock Length

Please read all instructions before installing.

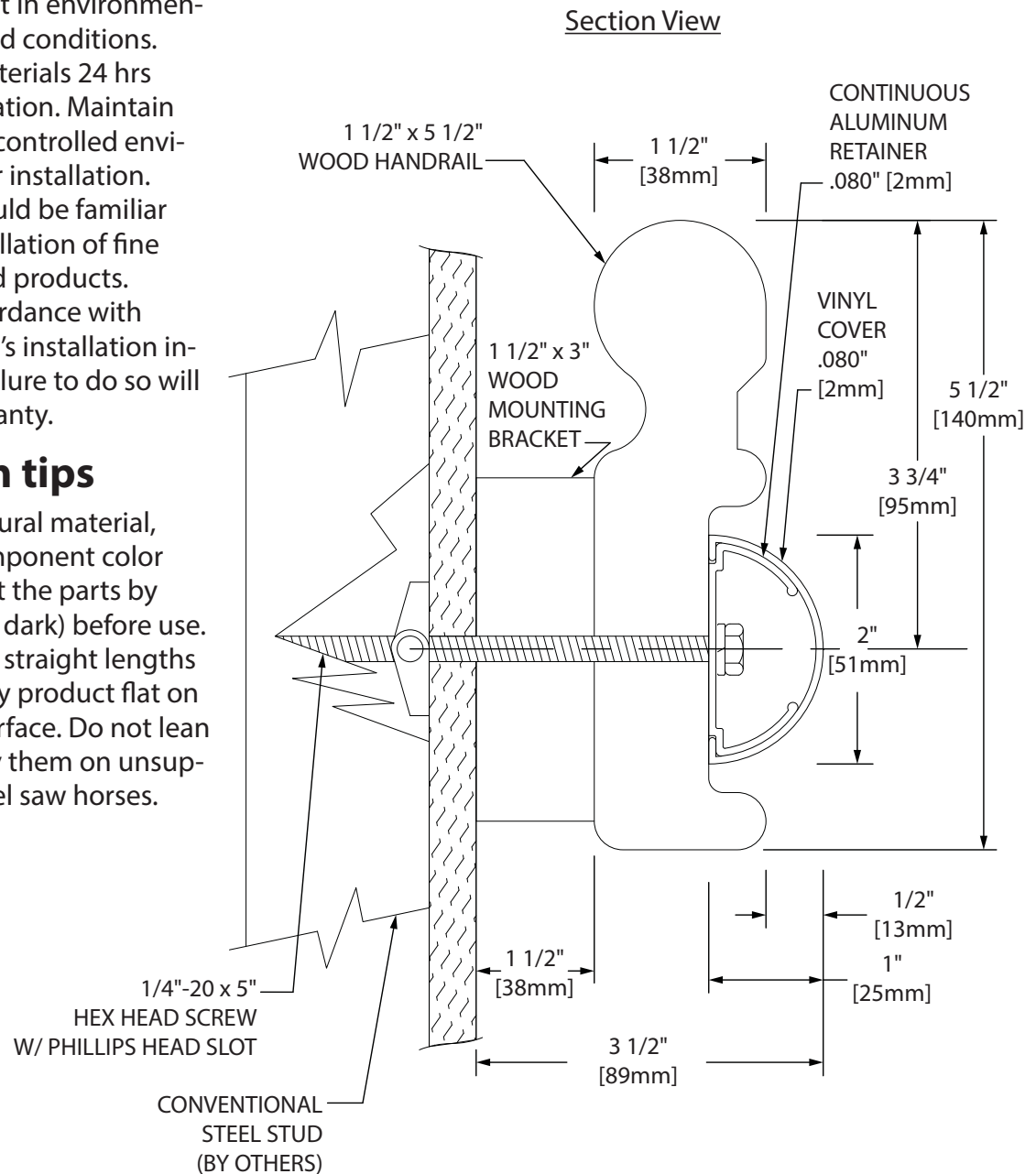
Material must be stored, installed and used in environmentally controlled conditions.

Important

1. Install product in environmentally controlled conditions.
2. Acclimate materials 24 hrs before installation. Maintain temperature controlled environment after installation.
3. Installers should be familiar with the installation of fine finished wood products.
4. Install in accordance with manufacturer's installation instructions. Failure to do so will void the warranty.

Installation tips

1. Wood is a natural material, therefore component color may vary. Sort the parts by color (light to dark) before use.
2. When storing straight lengths of material, lay product flat on supported surface. Do not lean the rails or lay them on unsupported parallel saw horses.



RECOMMENDED TOOLS

Safety Glasses, Tape Measure, Level, Chalk Line, Power Drill/Nailer, Drill Bits, Socket or Hex Drive Set, Phillips Head Screwdriver and a Radial Arm Saw or Power Miter Box with Carbide Tipped 60-80 Tooth Blade

IPC.307/REV.6

Installation Hotline • 866.EZINPRO
Inprocorp.com • 800.222.5556 • 262.679.9010
World Headquarters S80 W18766 Apollo Drive, Muskego, WI 53150 USA

IPC®
DOOR + WALL PROTECTION SYSTEMS
A DIVISION OF INPRO®

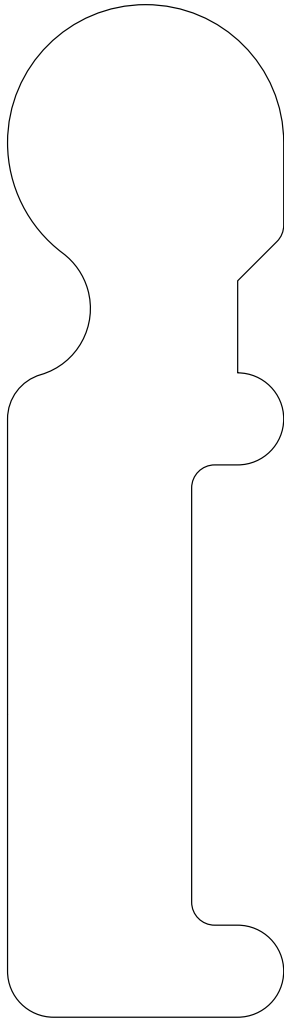
Installation Instructions

HR3/G2 BioBlend® -HR3 Wood Handrail - Stock Length

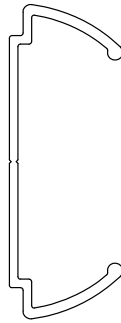
Please read all instructions before installing.

Material must be stored, installed and used in environmentally controlled conditions.

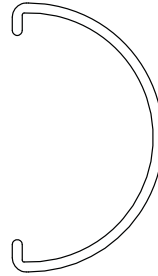
Component



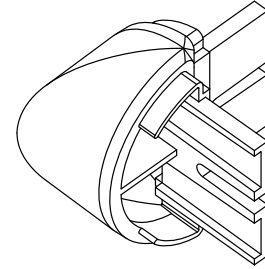
HR3
NORTHERN HARDWOOD
HANDRAIL



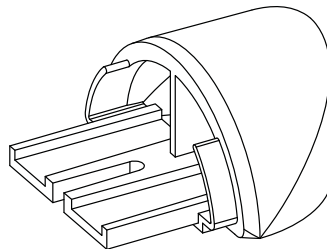
2500A
CONTINUOUS
ALUMINUM RETAINER



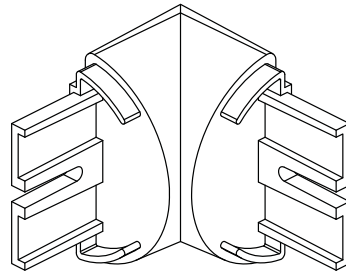
2500V
VINYL
COVER



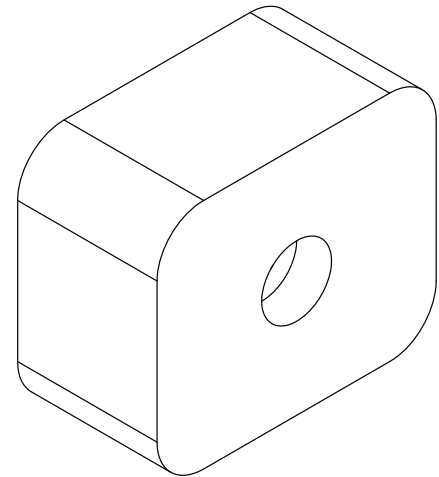
2502
90° OUTSIDE
CORNER



2501
END CAP



2503
90° INSIDE
CORNER



BRKFO
NORTHERN HARDWOOD
MOUNTING BRACKET

Fasteners

Wall Condition	Specified Fasteners	Inpro part #
Gypsum Wall	1/4"-20 x 5" Phillips Hex Head Toggle Bolt, Lockwasher and Toggle Wing Nut	HWK-801D
Wood	#8 x 1/2" Phillips Pan Head Wood Screw	HW22

Installation Hotline • 866.EZINPRO
Inprocorp.com • 800.222.5556 • 262.679.9010
World Headquarters S80 W18766 Apollo Drive, Muskego, WI 53150 USA

IPC®
DOOR + WALL PROTECTION SYSTEMS
A DIVISION OF INPRO®

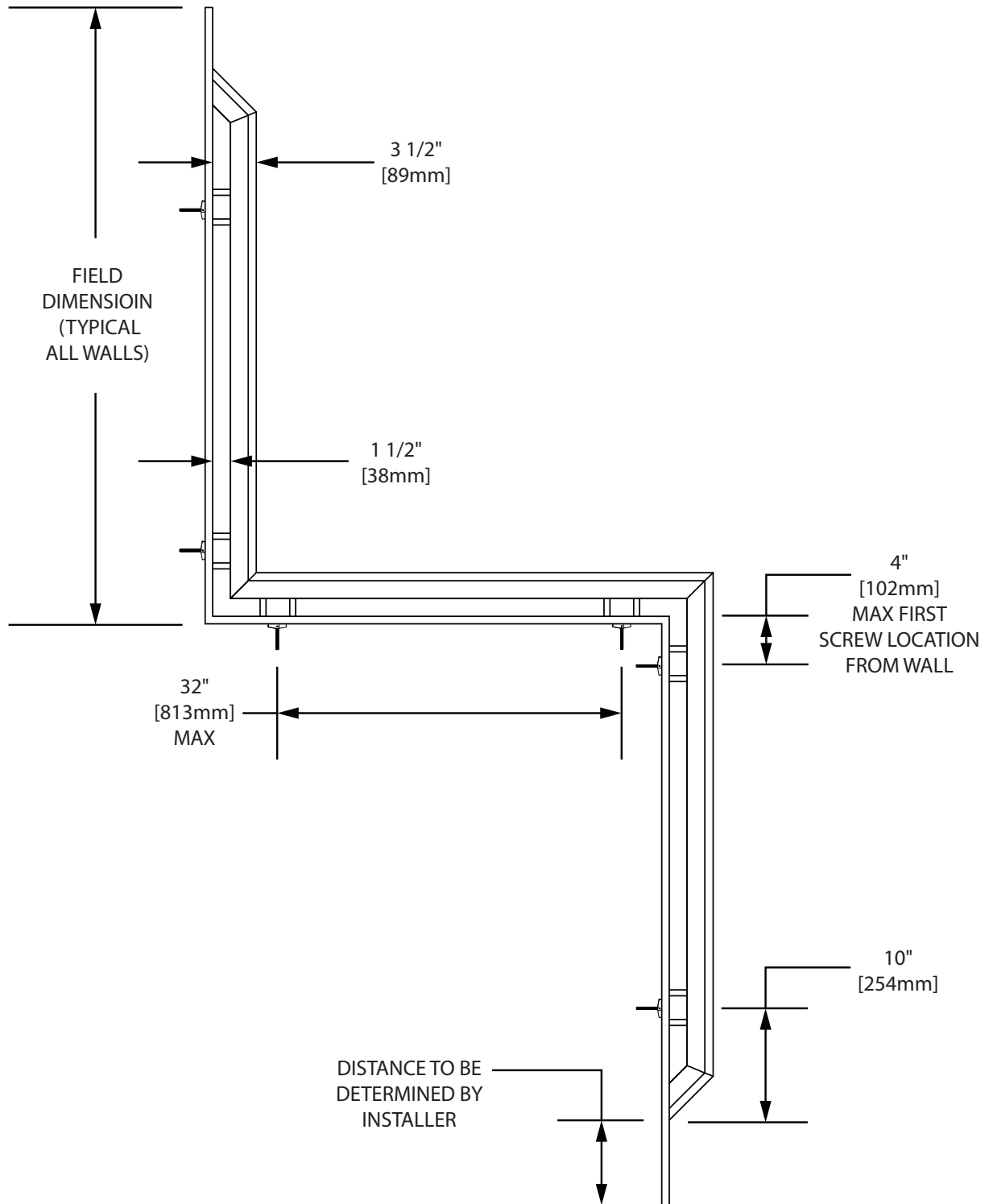
Installation Instructions

HR3/G2 BioBlend® -HR3 Wood Handrail - Stock Length

Please read all instructions before installing.

Material must be stored, installed and used in environmentally controlled conditions.

Layout View



Installation Hotline • 866.EZINPRO

Inprocorp.com • 800.222.5556 • 262.679.9010

World Headquarters S80 W18766 Apollo Drive, Muskego, WI 53150 USA

IPC®

DOOR + WALL PROTECTION SYSTEMS
A DIVISION OF INPRO®

Installation Instructions

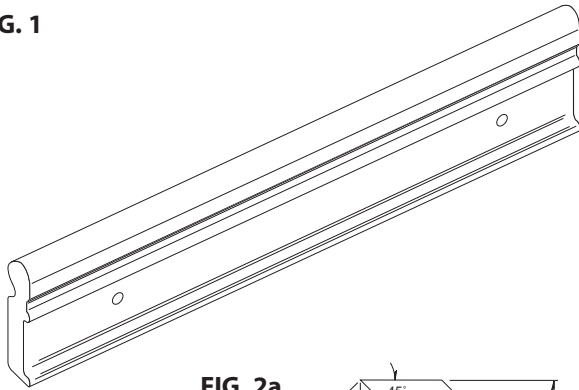
HR3/G2 BioBlend® -HR3 Wood Handrail - Stock Length

Please read all instructions before installing.

Material must be stored, installed and used in environmentally controlled conditions.

Layout View

FIG. 1



NOTE: Handrails ship in 8'-16' (2.44m - 4.88m) lengths.

1. Snap a level chalk line at the required height for the mounting holes. The holes for the mounting bracket are 3³/₄" (95mm) from the top of the handrail. SEE FIG. 1

2. Returns, inside corners and outside corner conditions must be field cut.

a. Cut the wood rail to the required length including the proper allowances for returns and corners. Allow 3" (76mm) for each return, 3" (76mm) for outside corners and 1¹/₂" (38mm) for inside corners. When a rail mates with a return, cut a 67.5° angle on the rail.

b. To cut returns: the front of a return piece is 4¹/₄" long with a 45° cut on the side that meets the wall and a 67.5° angle on the side that mates with the rail length. SEE FIG. 2

c. Glue returns and pin nail them to the rail length. Glue inside corners and pin nail them before mounting the rail to the wall. Glue outside corners after one section is on the wall and pin-nail after both sections are on the wall.

FIG. 2a

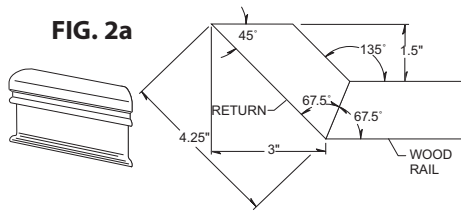


FIG. 3a-1

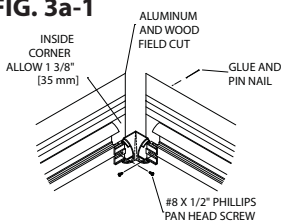


FIG. 3b-1

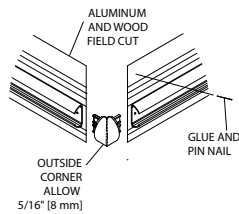


FIG. 3a-2

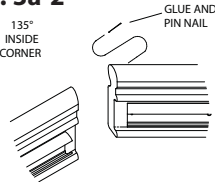


FIG. 3b-2

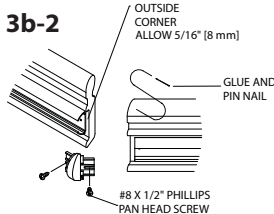


FIG. 3c-1

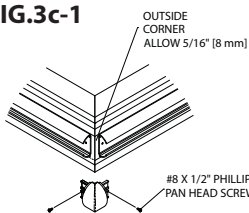
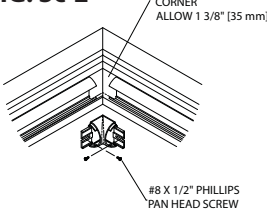


FIG. 3c-2



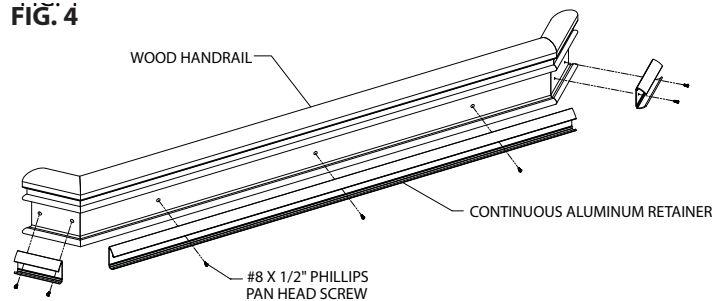
3. Aluminum retainer installation: install the aluminum retainer in the recess on the front of the wood rail.

a. Cut the retainer to length as required for the wood rail, allowing for corners as needed. SEE FIG. 3a, 3b, 3c

b. Attach the retainer to the wood with #8 x 1/2" Phillips pan head wood screws (six anchors per 8'-16' (2.44m -4.88m) length). SEE FIG. 4

c. To attach corners, drill a 3/16" (5mm) hole in the aluminum for the fastener. Attach the corners, with one #8 x 1/2" Phillips pan head wood screw in each tab of the molded part.

FIG. 4



Installation Hotline • 866.EZINPRO

Inprocorp.com • 800.222.5556 • 262.679.9010

World Headquarters S80 W18766 Apollo Drive, Muskego, WI 53150 USA

IPC®

DOOR + WALL PROTECTION SYSTEMS
A DIVISION OF INPRO®

Installation Instructions

HR3/G2 BioBlend® -HR3 Wood Handrail - Stock Length

Please read all instructions before installing.

Material must be stored, installed and used in environmentally controlled conditions.

FIG. 5

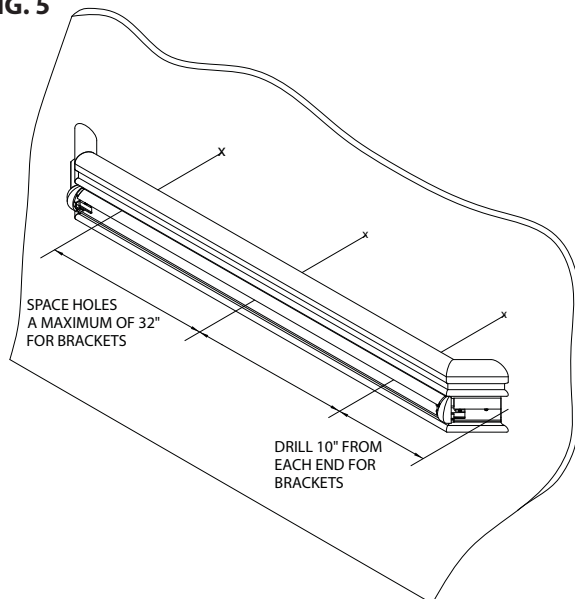
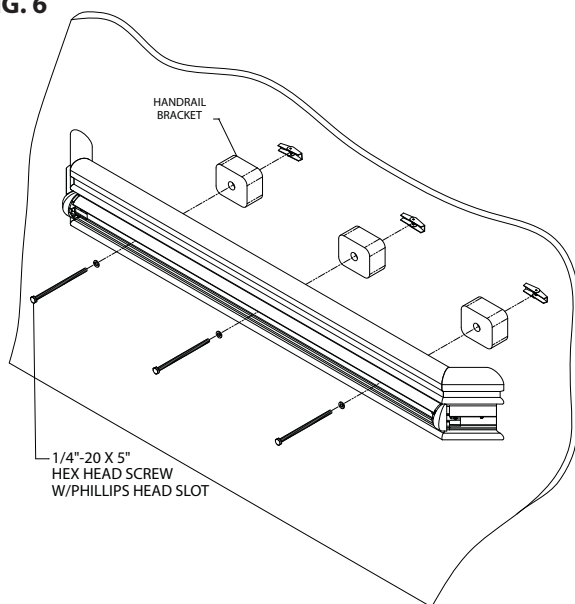
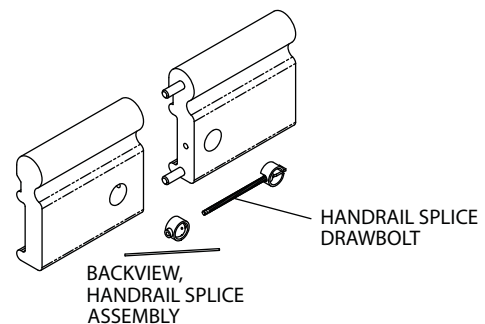


FIG. 6



- Determine the location of the brackets on the rail. Brackets should be 3" (76mm) from each return and 3" (76mm) on either side of a draw bolt joint and spaced a maximum of 32" (813mm). SEE FIG. 5
- Drill 1/4" (6.5mm) holes for the brackets on the centerline of the aluminum retainer and through the rail. SEE FIG. 6
- Hold the rail to the wall, align the mounting holes with the chalk line and transfer the holes to the wall.
- Drill holes in the wall with a 3/4" drill bit for toggle bolts into metal studs, a 5/32" (4mm) drill bit for wood screws into wood studs, and a 1/4" drill bit for Alligator anchors into masonry construction.
- Longer sections of the rail will require draw bolt splices and dowels. Use the drilling guide to drill holes for the splices and dowels. Apply glue to both surfaces of the pieces to be joined and into the dowel holes. Insert the dowels into the holes and the unassembled parts of the draw bolt into the holes. Tighten the draw-bolts with the tightening tool. Wipe off any excess glue with a damp cloth. SEE FIG. 7

FIG. 7



Installation Hotline • 866.EZINPRO

Inprocorp.com • 800.222.5556 • 262.679.9010

World Headquarters S80 W18766 Apollo Drive, Muskego, WI 53150 USA

IPC®
DOOR + WALL PROTECTION SYSTEMS
A DIVISION OF INPRO®

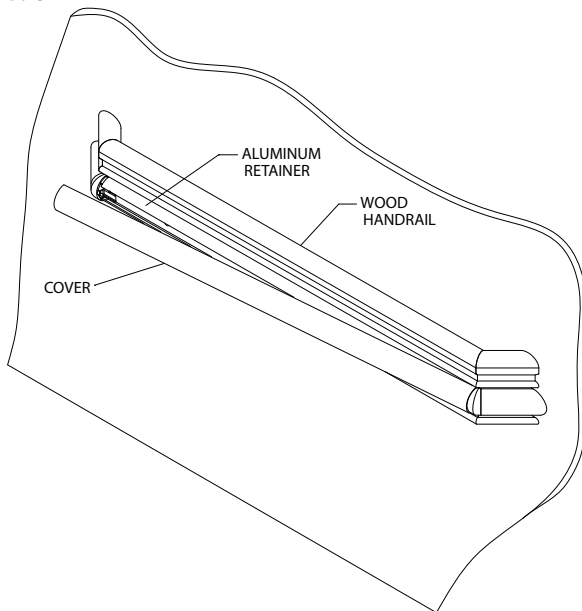
Installation Instructions

HR3/G2 BioBlend® -HR3 Wood Handrail - Stock Length

Please read all instructions before installing.

Material must be stored, installed and used in environmentally controlled conditions.

FIG. 8



9. Position the brackets on the back of the handrail, at each mounting hole, and insert the appropriate fastener with lock washer through the front of the handrail and into the bracket. If using toggle wings or lead anchors, attach these to the back of the handrail. Mount the handrail and bracket assembly into the holes on the wall. Level the handrail while tightening it to the wall.
10. Fill any holes in the wood with putty from the touch-up kit. Clean up any wood glue with a damp cloth.
11. Cut the covers to length. When straight lengths mate with return pieces the angle is 67.5° on each piece. SEE FIG. 8
12. Push the covers on the aluminum retainer until it snaps into place.
13. Remove any surplus materials, and debris upon completion of the installation.

Installation Hotline • 866.EZINPRO

Inprocorp.com • 800.222.5556 • 262.679.9010

World Headquarters S80 W18766 Apollo Drive, Muskego, WI 53150 USA

IPC®

DOOR + WALL PROTECTION SYSTEMS
A DIVISION OF INPRO®