

Installation Instructions

HR5/G2 BioBlend®-HR5 Wood Handrail - Pre-Assembled Length

Please read all instructions before installing.

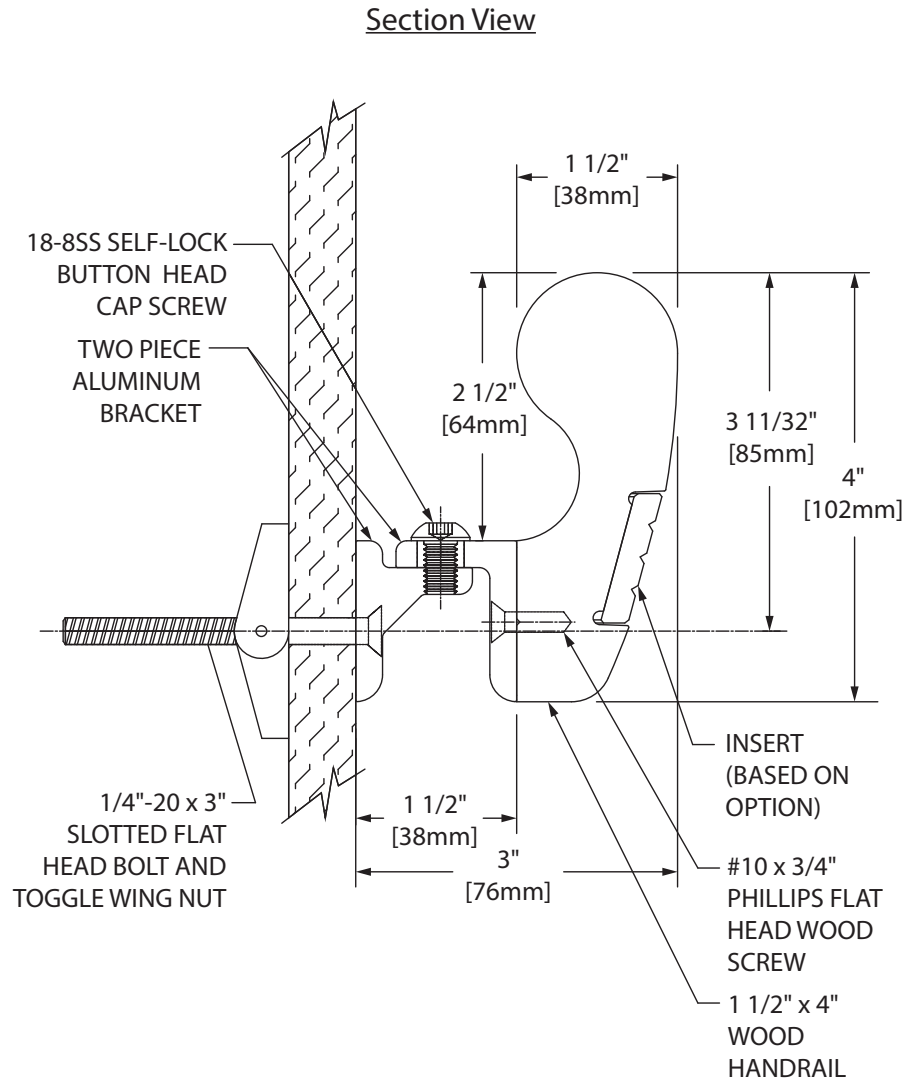
Material must be stored, installed and used in environmentally controlled conditions.

Important

1. Install product in environmentally controlled conditions.
2. Acclimate materials 24 hrs before installation. Maintain temperature controlled environment after installation.
3. Installers should be familiar with the installation of fine finished wood products.
4. Install in accordance with manufacturer's installation instructions. Failure to do so will void the warranty.

Installation tips

1. Wood is a natural material, therefore component color may vary. Sort the parts by color (light to dark) before use.
2. When storing straight lengths of material, lay product flat on supported surface. Do not lean the rails or lay them on unsupported parallel saw horses.



RECOMMENDED TOOLS

Safety Glasses, Tape Measure, Level, Chalk Line, Power Drill/Nailer, Drill Bits, Socket or Hex Drive Set, Phillips Head Screwdriver and a Radial Arm Saw or Power Miter Box with Carbide Tipped 60-80 Tooth Blade

IPC.677/REV.2

Installation Hotline • 866.EZINPRO
Inprocorp.com • 800.222.5556 • 262.679.9010
World Headquarters S80 W18766 Apollo Drive, Muskego, WI 53150 USA

IPC®
DOOR + WALL PROTECTION SYSTEMS
A DIVISION OF INPRO®

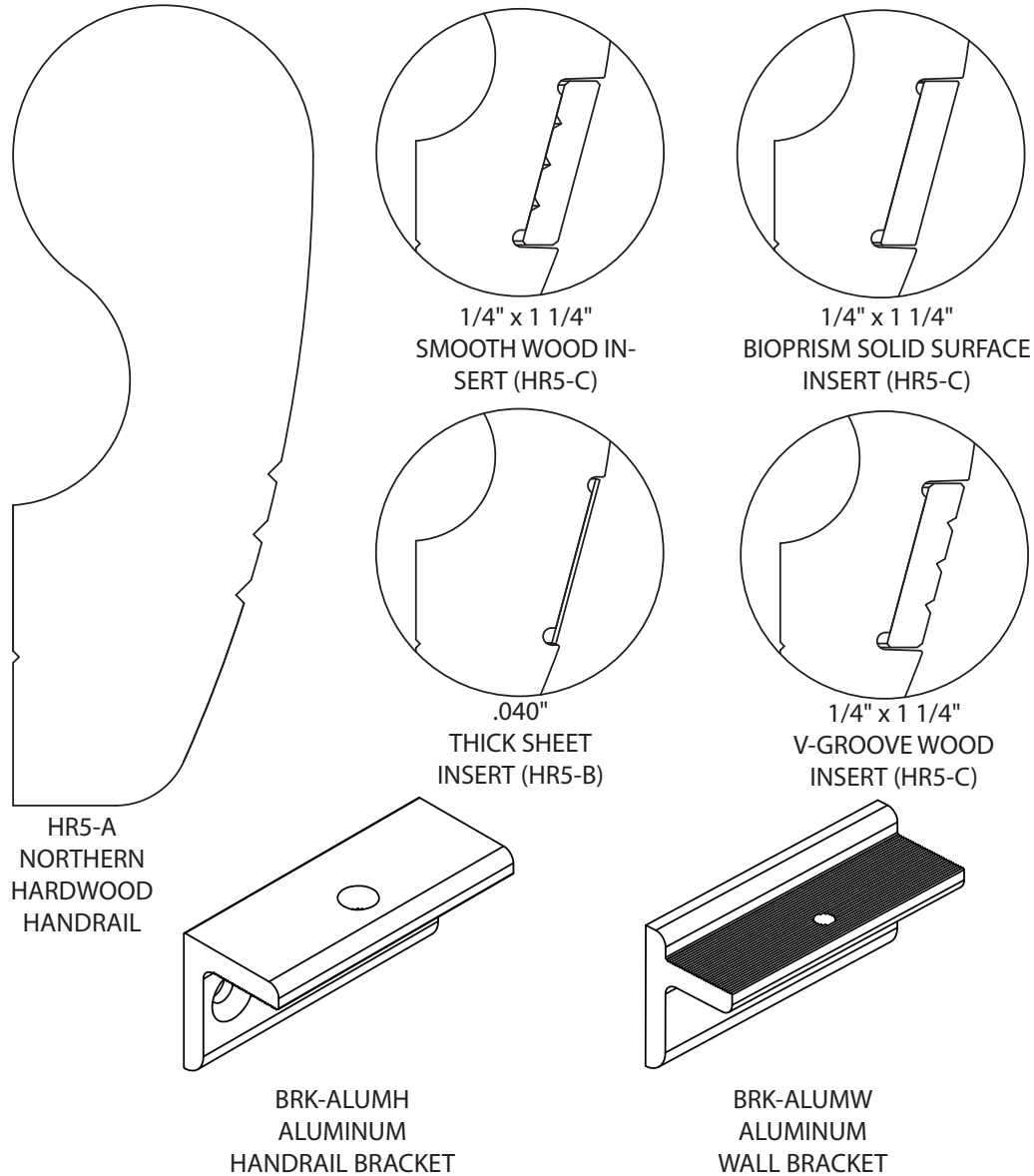
Installation Instructions

HR5/G2 BioBlend®-HR5 Wood Handrail - Pre-Assembled Length

Please read all instructions before installing.

Material must be stored, installed and used in environmentally controlled conditions.

Components



Fasteners

Wall Condition	Specified Fasteners	Inpro part #
Gypsum Wall	#10x3/4" Phillips Flat Head Screw, 1/4-20x3" Slotted Flat Head Bolt, Wing Nut, 18-8SS Cap Screw	HWK-BRKALUM-D

Installation Hotline • 866.EZINPRO
Inprocorp.com • 800.222.5556 • 262.679.9010
World Headquarters S80 W18766 Apollo Drive, Muskego, WI 53150 USA

IPC®
DOOR + WALL PROTECTION SYSTEMS
A DIVISION OF INPRO®

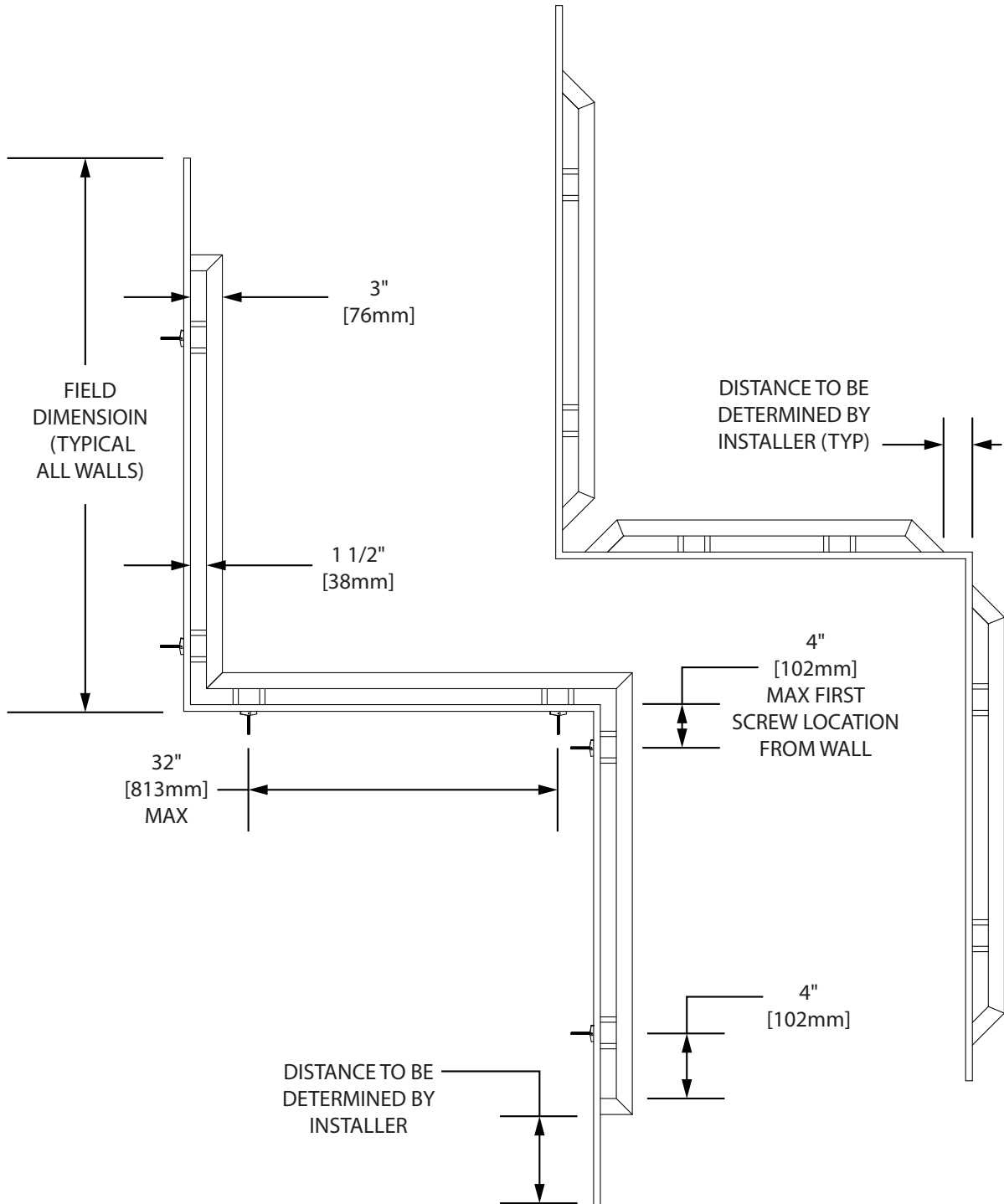
Installation Instructions

HR5/G2 BioBlend® -HR5 Wood Handrail - Pre-Assembled Length

Please read all instructions before installing.

Material must be stored, installed and used in environmentally controlled conditions.

Layout View



Installation Hotline • 866.EZINPRO

Inprocorp.com • 800.222.5556 • 262.679.9010

World Headquarters S80 W18766 Apollo Drive, Muskego, WI 53150 USA

IPC®

DOOR + WALL PROTECTION SYSTEMS
A DIVISION OF INPRO®

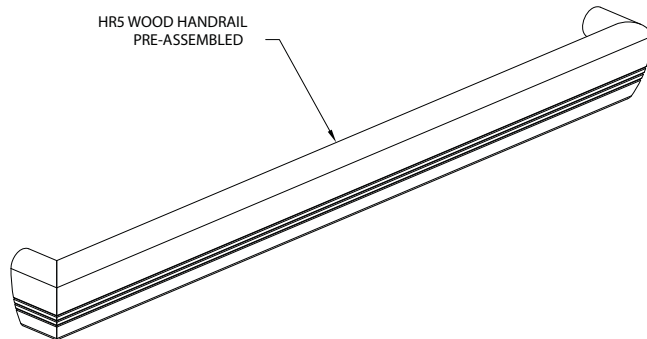
Installation Instructions

HR5/G2 BioBlend® -HR5 Wood Handrail - Pre-assembled Length

Please read all instructions before installing.

Material must be stored, installed and used in environmentally controlled conditions.

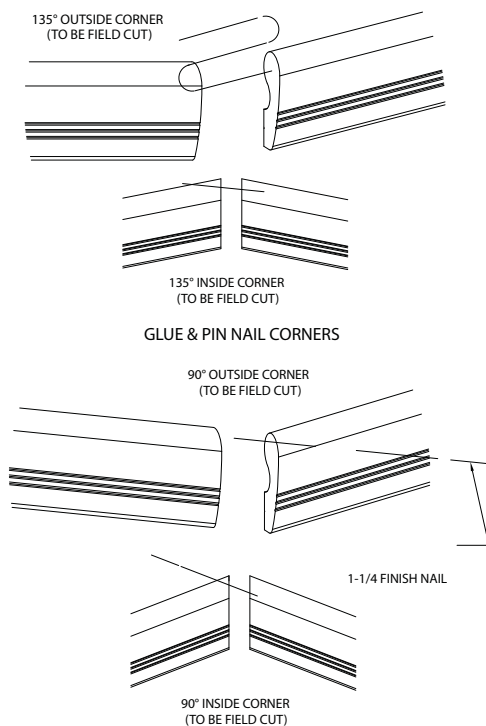
FIG. 1



NOTE: For pre-assembled handrail, all handrails ship in pre-cut lengths with returns pre-assembled. If outside and inside corners are required, an extra 4" (102mm) of rail is included to miter cut, glue and pin nail these corners. All boxes and components are marked to coincide with the floor plan drawings. Layout and identify the components needed for each section to be installed.

1. Determine height of handrail on wall. Measure 2-5/8" (67mm) below that point and snap chalk line.
SEE FIG. 1

FIG. 2



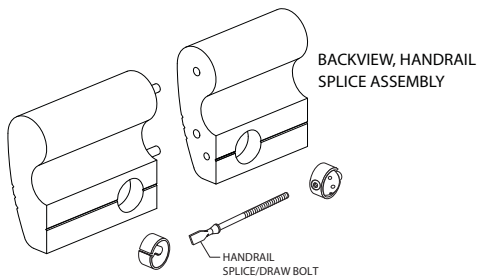
2. Inside and outside corner conditions: SEE FIG. 2

a. Determine cut length of wood rail by measuring the distance from where the wood rail starts on the wall to the corner. For inside corners add 1-1/2" (38mm) and for outside corners add 3" (76mm). Miter cut the rail in the proper direction.

b. Inside Corners: Before mounting them to the wall, join the two miter cut pieces of rail, apply glue to the mating surfaces and pin nail the two pieces together with four 1-1/4" finish nails. Wipe off excess glue with damp cloth. C. Outside Corners: Attach one section to wall, (see steps 3 and 4 for installation). Apply glue to the mating surface and pin nail the two pieces together with four 1-1/4" finish nails. Wipe off excess glue with damp cloth.

3. Join longer sections of the handrail with draw bolt splices and dowels, before mounting rail to the mounting brackets. Use the draw bolt jig and bits to drill holes for the draw bolt assembly in the rail sections. Apply glue to both surface pieces to be joined and into the dowel holes. Insert dowels into holes and the unassembled parts of the draw bolt into the holes. Tighten the draw bolts with tightening tool.
SEE FIG. 3

FIG. 3



Installation Hotline • 866.EZINPRO
Inprocorp.com • 800.222.5556 • 262.679.9010
World Headquarters S80 W18766 Apollo Drive, Muskego, WI 53150 USA

IPC®
DOOR + WALL PROTECTION SYSTEMS
A DIVISION OF INPRO®

Installation Instructions

HR5/G2 BioBlend® -HR5 Wood Handrail - Pre-assembled Length

Please read all instructions before installing.

Material must be stored, installed and used in environmentally controlled conditions.

FIG. 4a

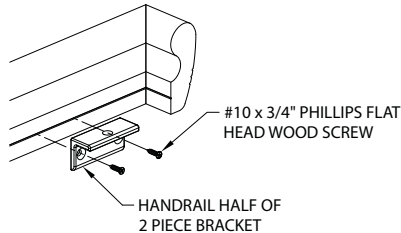


FIG. 4b

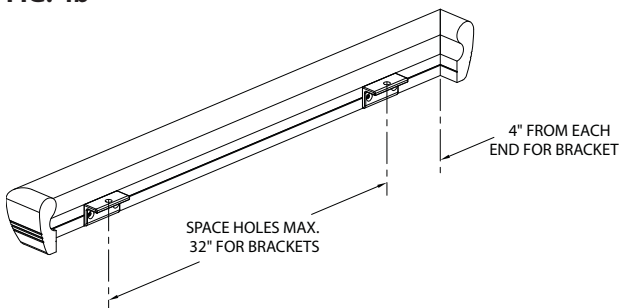


FIG. 5a

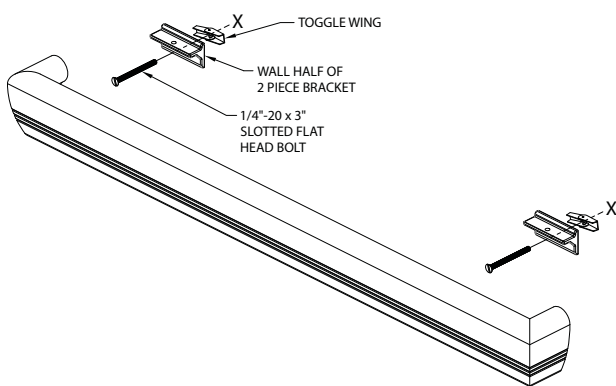
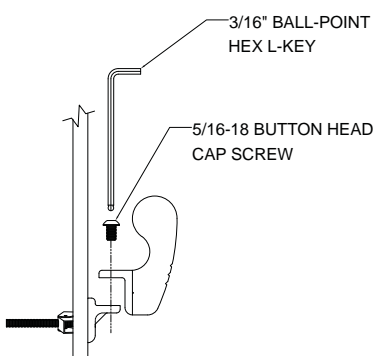


FIG. 5b



4. Attach the handrail part of the two piece bracket to the back of the handrail with $\frac{3}{4}$ " screws (2 per bracket).
NOTE: FASTENERS ARE SELF DRILLING, DO NOT DRILL PILOT HOLES. Brackets should be 4" (102mm) from each return/ corner and 4" (102mm) on either side of a draw bolt joint and spaced a maximum of 32" (813mm). SEE FIG. 4a & 4b

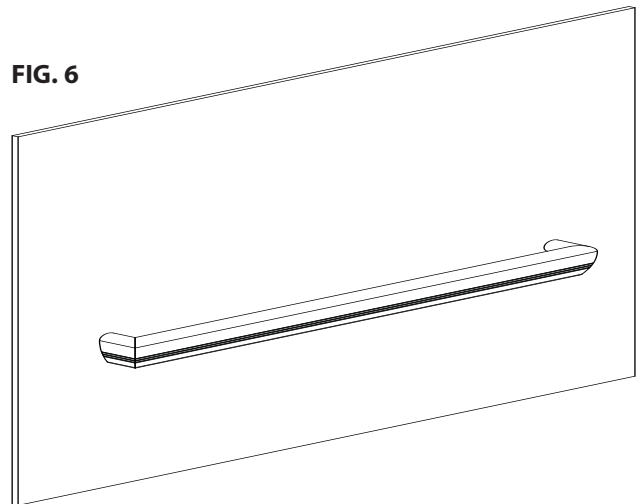
5. Hold the handrail with the handrail brackets attached, up to the chalk line and mark each bracket location on the wall.

6. Position the top edge of the wall bracket on the chalk line and align it with the bracket marks. Transfer the wall bracket holes to the wall. Drill holes with a $\frac{3}{4}$ " (19mm) drill bit for toggle bolts (metal studs), $\frac{5}{32}$ " (4mm) drill bit for wood screws (wood studs) or $\frac{1}{2}$ " (13mm) drill bit for lead anchors (masonry construction). SEE FIG. 5a

7. Level and mount brackets to wall. Tighten fasteners to secure. Fasten the handrail to the wall brackets with the 5/16-18 x $\frac{1}{2}$ " button head cap screw. Tighten screw with the $\frac{3}{16}$ " Ball-Point Hex L-Key. SEE FIG. 5b

8. Fill any holes in the wood with the putty from the touch up kit. Clean up any wood glue with a damp cloth. Remove any surplus materials and debris upon completion of the installation. SEE FIG. 6

FIG. 6



Installation Hotline • 866.EZINPRO
Inprocorp.com • 800.222.5556 • 262.679.9010
World Headquarters S80 W18766 Apollo Drive, Muskego, WI 53150 USA

IPC®
DOOR + WALL PROTECTION SYSTEMS
A DIVISION OF INPRO®

Installation Instructions

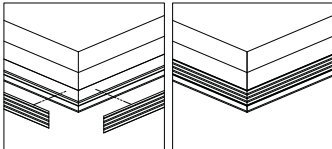
HR5/G2 BioBlend®-HR5 Wood Handrail - Pre-assembled Length

Please read all instructions before installing.

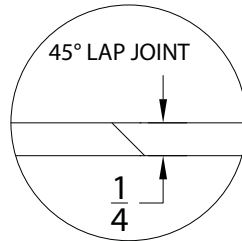
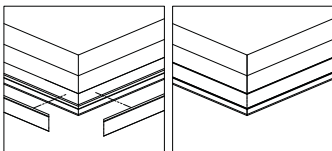
Material must be stored, installed and used in environmentally controlled conditions.

FIG. 7

1/4" THICK INSERT
(DECORATIVE V-GROOVES SHOWING)



1/4" THICK INSERT



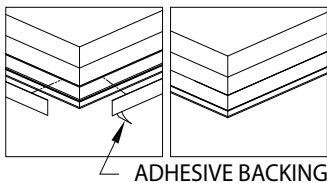
INSTALLATION OF THE 1/4" THICK INSERT: SEE FIG. 7

Note: Wood Insert can be installed with decorative v-grooves visible or hidden.

1. Determine the length of the insert. Miter cut inside, outside corners and the pieces for returns. If longer lengths are needed join them with a lap joint.
2. Apply a small amount of PL Premium adhesive in the channel on the handrail. Position the insert in the channel and press in place. Remove any excess adhesive immediately. Tape the insert in place with painters tape until the adhesive cures.

FIG. 8

.040" THICK INSERT



INSTALLATION OF THE .040" THICK SHEET INSERT: SEE FIG 8

1. Determine the length of the insert. Cut inside, outside corners and the pieces for returns. If longer lengths are needed join them with a butt joint.
2. Adhere the insert with the factory applied adhesive backing. Remove the release liner position the insert in the channel and press in place.

Installation Hotline • 866.EZINPRO

Inprocorp.com • 800.222.5556 • 262.679.9010

World Headquarters S80 W18766 Apollo Drive, Muskego, WI 53150 USA

IPC®

DOOR + WALL PROTECTION SYSTEMS
A DIVISION OF INPRO®