

## J55-10/13 SYSTEM

SPECIFY SEAL COLOR	
Black (JTC001)	
Beige (JTC002)	
Light Gray (JTC003)	
Off White (JTC004)	
Dark Gray (JTC012)	

JOINT WIDTH		HORIZONTAL MOVEMENT	
US	mm	US	mm
3/8"	10	1/32"	1

FINISH: MILL

**JOINTMASTER**  
EXPANSION JOINT SYSTEMS  
A DIVISION OF INPRO

DATE: 10-11-17

SCALE: 1:1

DOC: CADJM.208/R1

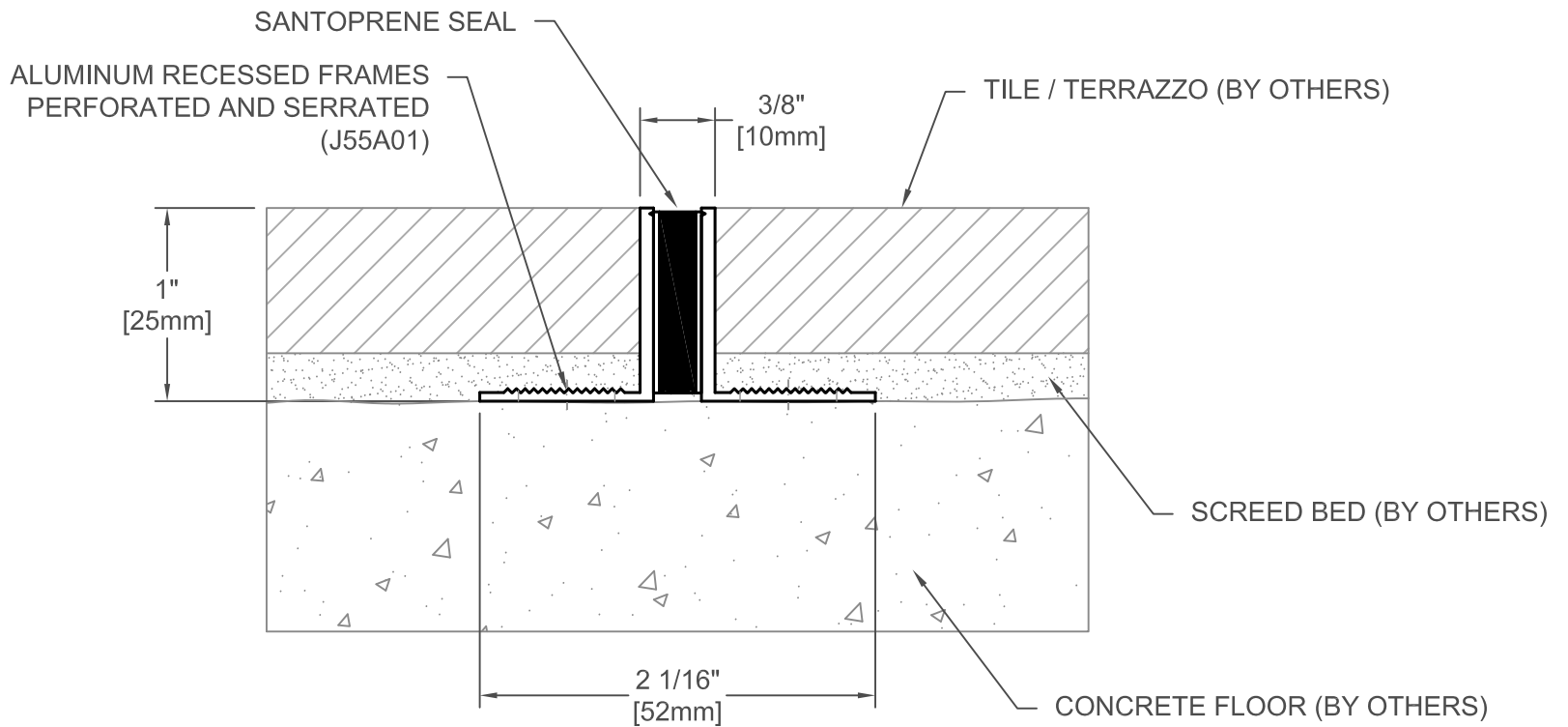
APPLICATION-  
INTERIOR FLOOR/FLOOR  
FOR TILE AND TERRAZZO FLOORING

PROJECT:

CUSTOMER:

LOCATION:

**inpro.**



## J55-10/25 SYSTEM

SPECIFY SEAL COLOR	
Black	(JTC006)
Beige	(JTC007)
Light Gray	(JTC008)
Off White	(JTC009)
Dark Gray	(JTC011)

JOINT WIDTH		HORIZONTAL MOVEMENT	
US	mm	US	mm
3/8"	10	1/32"	1

FINISH: MILL

**JOINTMASTER**  
EXPANSION JOINT SYSTEMS  
A DIVISION OF INPRO

DATE: 10-11-17

SCALE: 1:1

DOC: CADJM.208/R1

APPLICATION-  
INTERIOR FLOOR/FLOOR  
FOR TILE AND TERRAZZO FLOORING

PROJECT:

CUSTOMER:

LOCATION:

**inpro.**