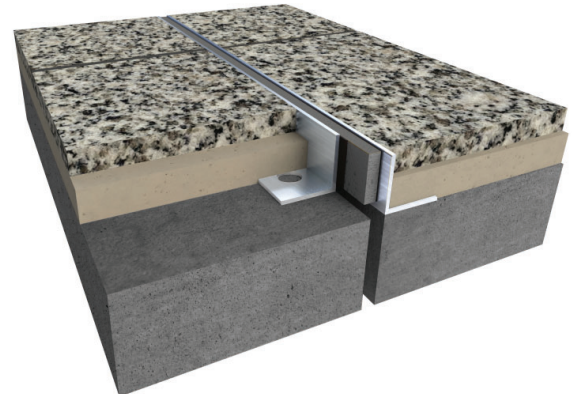


J55 Series

Elastomeric Seal Systems for Floors
Available in Select Markets



Movement $\pm 10\%$

Product Guide



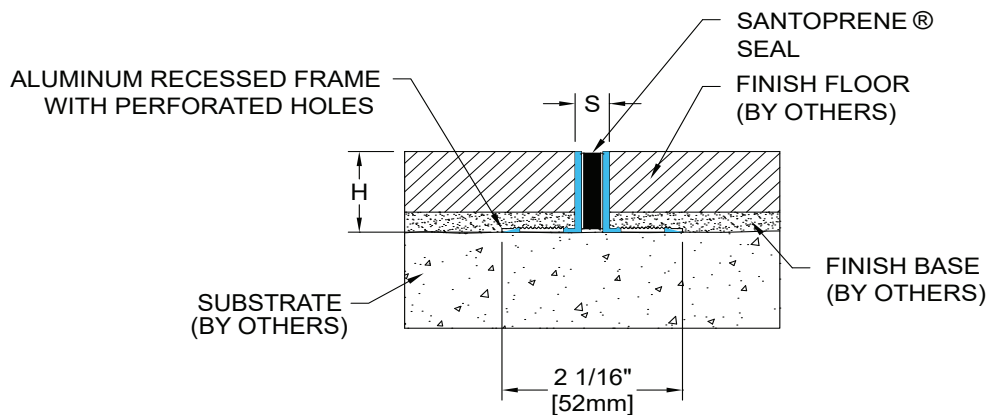
Thermal



Interior

- ▶ Flush control joint used to address daily thermal expansion and contraction of hard flooring finishes.
- ▶ Designed with a narrow surface profile to minimize impact to interior finishes.
- ▶ Flexible seal is composed of UV resistant Santoprene with a UL Environmental GreenGuard Gold Certification.
- ▶ Custom heights and Stainless Steel options exist to match project specific conditions.
- ▶ Seals are available in standard colors Black, Grey and Beige. Custom colors are available at additional cost and leadtime.
- ▶ Horizontal and vertical applications.

J55 Floor/Floor
25mm height shown



Application	System	W Joint Width		H Frame Height		S Sightline		Movement +/-		
		US	mm	US	mm	US	mm	Horizontal		Vertical
								US	mm	
Floor/Floor	J55-10/13	3/8"	10	1/2"	13	3/8"	10	1/32"	1	*
	J55-10/25	3/8"	10	1"	25	3/8"	10	1/32"	1	*

IPC.1367/REV.5

Inprocorp.com • 800.222.5556 • 262.679.9010
World Headquarters S80 W18766 Apollo Drive, Muskego, WI 53150 USA

JOINTMASTER®
EXPANSION JOINT SYSTEMS
A DIVISION OF INPRO®

J55 Movement Joint Series

Technical Specifications

PART 1 - GENERAL

1.1 SUMMARY

A. Furnish Movement Joint Systems in accordance with the drawings and general provisions of the Contract.

1.2 WORK INCLUDED

A. Furnish complete JointMaster/InPro Corporation Expansion Joint Systems.

1. Interior floor expansion joint systems.

1.3 RELATED WORK

A. Related work which is specified elsewhere.

1. Cast-In-Place Concrete: Section 03300.

2. Unit Masonry: Section 04200.

1.4 REFERENCES

A. Publications listed herein are part of this specification to the extent referenced. The criteria established in the specifications shall take precedence over the standards referenced herein. (An example of a reference standard is given below.)

1. American Society for Testing and Materials (ASTM):

a. ASTM B 221, Standard Specifications for Aluminum and Aluminum-Alloy Extruded Bars, Rods, Wire, Shapes, and Tubes.

1.5 DEFINITIONS

A. Define industry and product terms as necessary.

1.6 SYSTEM DESCRIPTION

A. Tile joint movement system to allow horizontal movement of 1mm.

1. Sightline: 10mm standard.

2. Height: 13mm and 25mm.

1.7 QUALITY ASSURANCE

A. Manufacturer: Furnish assemblies from one (1) manufacturer with a minimum of five (5) years of experience in the design, engineering and fabrication of expansion joint systems.

B. Installer: Firm with not less than three (3) years of successful experience in the installation of systems similar to those required by this project and acceptable to the manufacturer of the system.

1.8 SUBMITTALS

A. Manufacturer's specifications, technical data, installation instructions, and detail drawings for each system.

B. Sample of specified systems where

required.

1.9 DELIVERY AND STORAGE

A. Provide temporary protective covers on [aluminum stainless steel/seal] finished surfaces.

B. Deliver joint systems to jobsite in new, clean, unopened cartons or crates of sufficient size and strength to protect materials during transit.

C. Store components in original containers in a clean, dry location.

1.10 SEQUENCING

A. Submittals shall be completed and submitted within a reasonable amount of time after award of subcontract.

B. Subcontract for the work of this section shall be

planned to allow sufficient time for manufacturer's production and delivery scheduling.

1.11 WARRANTY

A. Standard JointMaster/InPro Corporation limited warranty against material and manufacturing defects for a period of not less than five (5) years when installed in accordance with manufacturer's recommendations.

PART 2 - PRODUCTS

2.1 MANUFACTURER

A. JointMaster/InPro Corporation S80
W18766 Apollo Drive Muskego, WI
53150 USA

Phone: (800) 222-5556

Fax: (888) 715-8407

Email: service@inprocorp.com

B. Substitutions: Not permitted.

C. Requests for substitutions will be considered in accordance with provisions of section 01600.

2.2 MATERIALS

A. Aluminum: ASTM B 221, alloy 6063-T6.

B. Stainless Steel 304 (Optional)

C. Santoprene® Seal: Seal shall be Santoprene® in a color selected from the manufacturer's standard Santoprene® color selection. Custom colors available.

2.3 INTERIOR JOINT SYSTEMS FOR FLOORS

A. Standard Tile Joint Movement System: JointMaster J55 - Continuous alumi-

num sides with integral movement seal.

1. Floor Systems

a. Recessed mount frame with integral seal for tile/ terrazzo floors, floor/ floor - J55-10/XX. Sightline: 10mm. Height: Custom available.

2.4 FINISHES

A. Aluminum:

1. Floors: Mill finish

B. Stainless Steel: 1.Floors: 2B finish

3.1 EXECUTION

A. Verify that dimensions are in conformance with manufacturer's submittal data.

3.2 INSTALLATION

A. Joint systems: Install in accordance with manufacturer's instructions. Align work plumb, level and flush with adjacent surfaces.

3.3 PROTECTION AND CLEANING

A. Protect installation from damage by work of others. At completion of the installation, clean exposed surfaces with non-solvent cleaner.

IPC.1348/REV.4