

JL Series

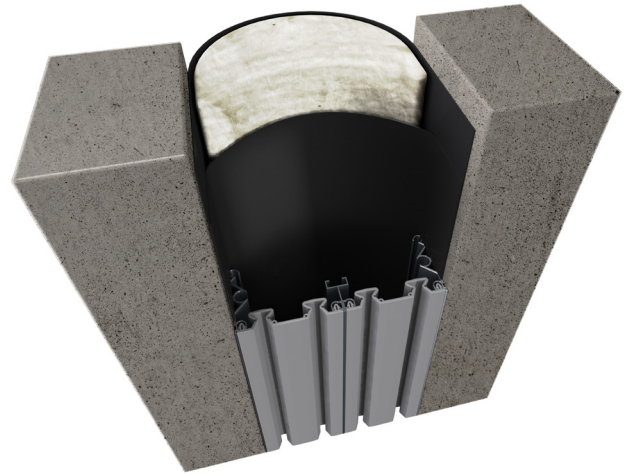
Insulated Vapor Barrier

Wall to Wall

Wall to Corner

Roof to Roof

Roof to Wall



Movement Rating \pm 50%

Product Guide



Thermal



Seismic



Exterior



Weather Resistant



Fire Rated Option

- ▶ Exterior grade system capable of matching 50% joint movement
- ▶ Consists of Fiber-reinforced EPDM membranes sandwiching commercial grade insulation adhered and pinned together to form a seismic-capable assembly
- ▶ Maintains a minimum R-Value of 15
- ▶ Seams and directional transitions designed to ensure a watertight seal and positive condensation drainage

Application	System	W Joint Width		H Insulated Vapor Barrier Depth		Movement \pm	
		US	mm	US	mm	Compression/Expansion	
						US	mm
WALL TO WALL WALL TO CORNER ROOF TO ROOF ROOF TO WALL	JL06-IVB	6"	152	5"	127	3"	76
	JL08-IVB	8"	203	6"	152	4"	102
	JL010-IVB	10"	254	7"	178	5"	127
	JL012-IVB	12"	305	8"	203	6"	152
	JL018-IVB	18"	457	10"	457	9"	229
	JL024-IVB	24"	610	12"	305	12"	305
	JL028-IVB	28"	711	14"	356	14"	356

IPC.776/REV.2

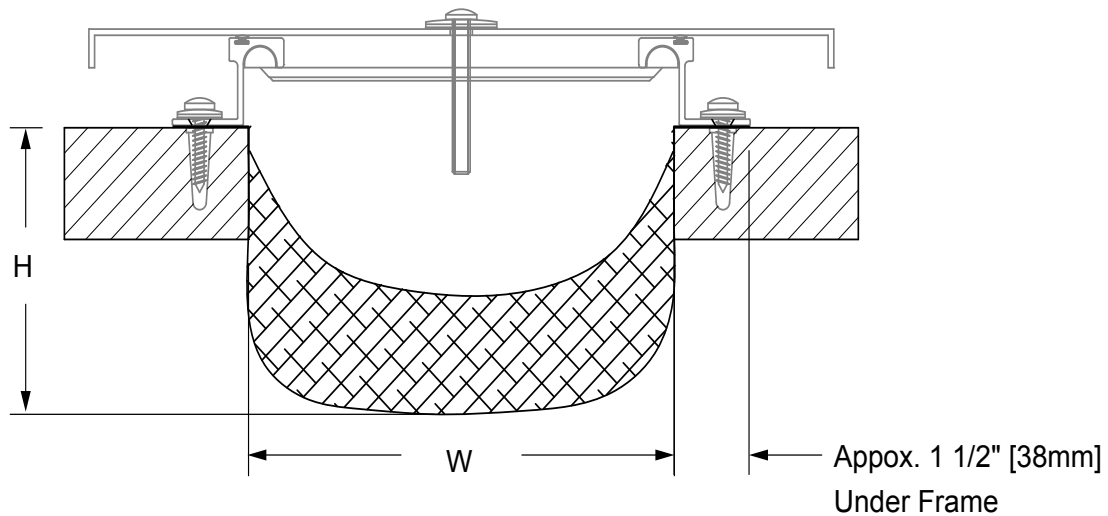
Inprocorp.com • 800.222.5556 • 262.679.9010
World Headquarters S80 W18766 Apollo Drive, Muskego, WI 53150 USA

JOINTMASTER™
EXPANSION JOINT SYSTEMS
A DIVISION OF INPRO®

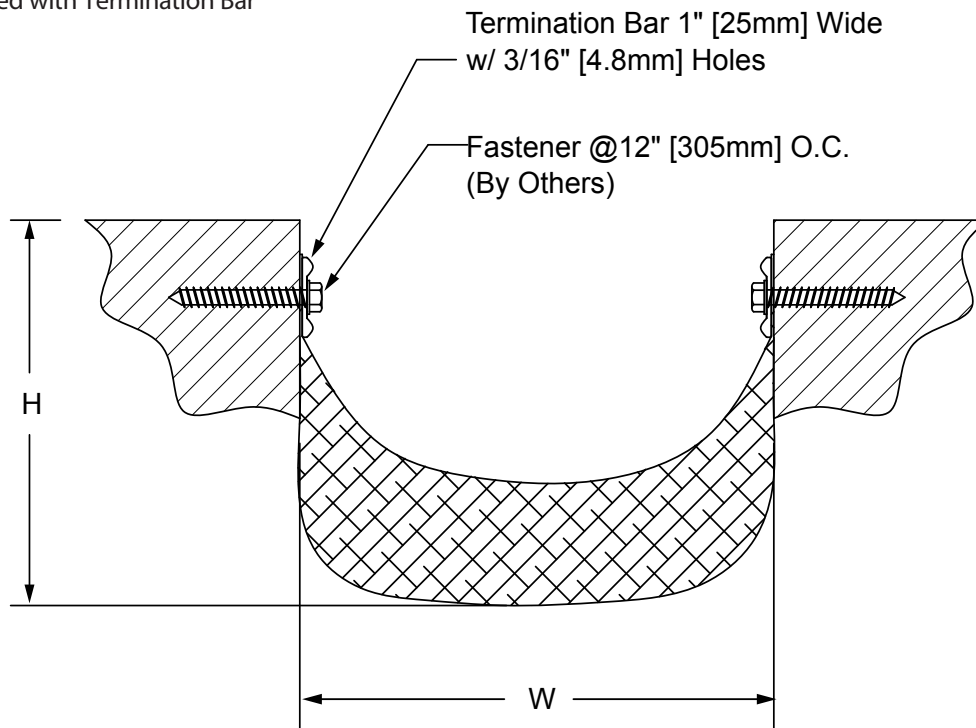
JL Series

Insulated Vapor Barrier

JL Series
Secured with EJ Cover Frames



JL Series
Secured with Termination Bar



JL Series

Suggested Specifications

PART 1 - GENERAL

1.01 SUMMARY

A. Furnish Expansion Joint Systems in accordance with the drawings and general provisions of the Contract.

1.02 WORK INCLUDED

A. Furnish complete JointMaster/InPro Corporation Expansion Joint Systems.
1. Exterior wall expansion joint systems.
2. Roof expansion joint systems.

1.03 RELATED WORK

A. Related work which is specified elsewhere.
1. Cast-In-Place Concrete: Section 03300.
2. Unit Masonry: Section 04810.
3. Structural Steel: Section 05120.
4. Light gauge Metal Framing: Section 05400.
5. Roof Expansion Assemblies - 07716
6. Sheet Metal Flashing and Trim: Section 7620.
7. Cement Plaster: Section 09210.
8. Gypsum Wallboard: Section 09260.

1.04 DEFINITIONS

A. Define industry and product terms as necessary.

1.05 SYSTEM DESCRIPTION

A. Joint systems shall permit limited movement of joint without disengagement.
1. Specify x-axis joint movement (horizontal).
2. Specify y-axis joint movement (vertical).
3. Specify z-axis joint movement (lateral).

1.06 QUALITY ASSURANCE

A. Manufacturer: Furnish assemblies from one (1) manufacturer with a minimum of five (5) years of experience in the design, engineering and fabrication of expansion joint systems.
B. Installer: Firm with not less than three (3) years of successful experience in the installation of systems similar to those required by this project and acceptable to the manufacturer of the system.

1.07 SUBMITTALS

A. Manufacturer's specifications, technical data, installation instructions, and detail drawings for each system.
B. Sample of specified systems where required.

1.08 DELIVERY AND STORAGE

A. Deliver joint systems to jobsite in new, clean, unopened cartons or crates of sufficient size and strength to protect materials during transit.
B. Store components in original containers in a clean, dry location.

1.09 SEQUENCING

A. Submittals shall be completed and submitted within a reasonable amount of time after award of sub-contract.
B. Subcontract for the work of this section shall be planned to allow sufficient time for manufacturer's production and delivery scheduling.

1.10 WARRANTY

A. Standard JointMaster/InPro Corporation limited warranty against material and manufacturing defects for a period of not less than five (5) years when installed in accordance with manufacturer's recommendations.

PART 2 - PRODUCTS

2.01 MANUFACTURER

A. JointMaster/InPro Corporation S80 W18766 Apollo Drive Muskego, WI 53150 USA Phone: (800) 222-5556 Fax: (888) 715-8407 Email: service@inprocorp.com
B. Substitutions: Not permitted.
C. Requests for substitutions will be considered in accordance with provisions of section 01600.

2.02 MATERIALS

A. Vapor Barrier: 45 mils thick fiber reinforced EPDM. B. Insulation: 3 1/2" [89mm] thick fiberglass batt insulation.
C. Fasteners, accessories and other materials required for complete installation in accordance with the manufacturer's instructions.

2.03 FABRICATION

A. Field assemble components provided in standard lengths with fasteners and accessories.
B. Fabricate special transitions and corner fittings as required.

PART 3 - EXECUTION

3.01

A. Verify that structural gap and block-out dimensions are in conformance with manufacturer's submittal data.

3.02 INSTALLATION

A. Vapor Barrier: Install to manufacturer's instructions. Provide drainage fittings where required.

3.03 PROTECTION

A. Protect installation from damage by work of others.

Inprocorp.com • 800.222.5556 • 262.679.9010

World Headquarters S80 W18766 Apollo Drive, Muskego, WI 53150 USA

JOINTMASTER™
EXPANSION JOINT SYSTEMS
A DIVISION OF INPRO