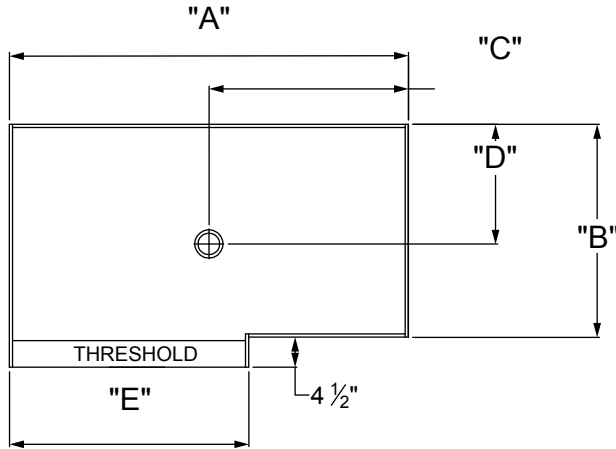


L-SHAPED RECEPTOR - MEASUREMENT GUIDE

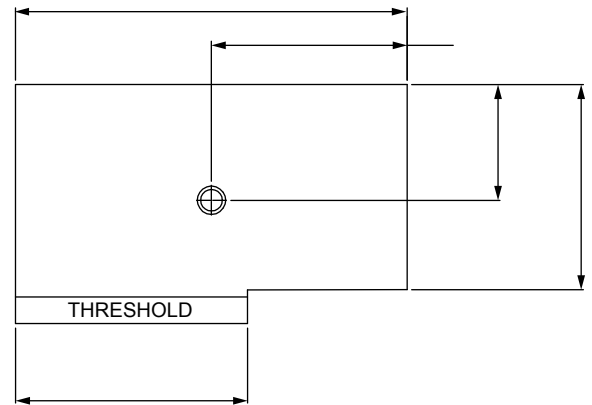
LEFT OPENING - OUTSIDE DIMENSIONS

TAG#:

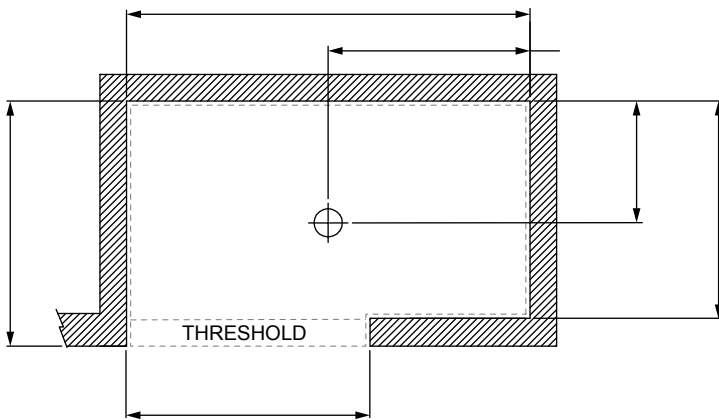
RECEPTOR
OUTSIDE
DIMENSIONS



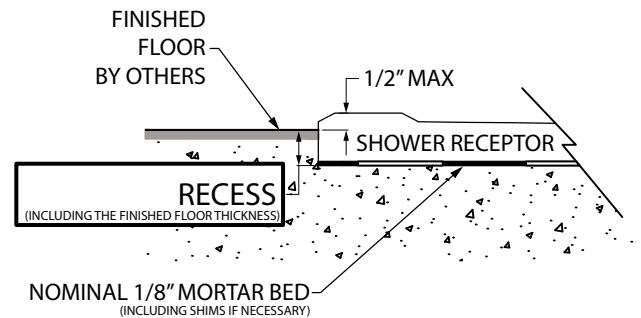
RECEPTOR
INSIDE FINISHED DIMENSIONS
(1/4" FINISHED WALL THICKNESS & 5/8" SUBSTRATE)



ROUGH OPENING
DIMENSIONS
(5/8" SUBSTRATE)



RECEPTOR
RECESS/FLOAT



DIRECTIONS:

- INPUT TAG# IF APPLICABLE
- INPUT DESIRED RECEPTOR OUTSIDE DIMENSIONS
- ALL OTHER VALUES WILL AUTOFILL, ALL DIMENSIONS ARE IN INCHES

IPC.3024/REV.2

Inprocorp.com • 800.222.5556 • 262.679.9010

World Headquarters S80 W18766 Apollo Drive, Muskego, WI 53150 USA

ENDURANT® •

WASHROOM SYSTEMS
A DIVISION OF INPRO®