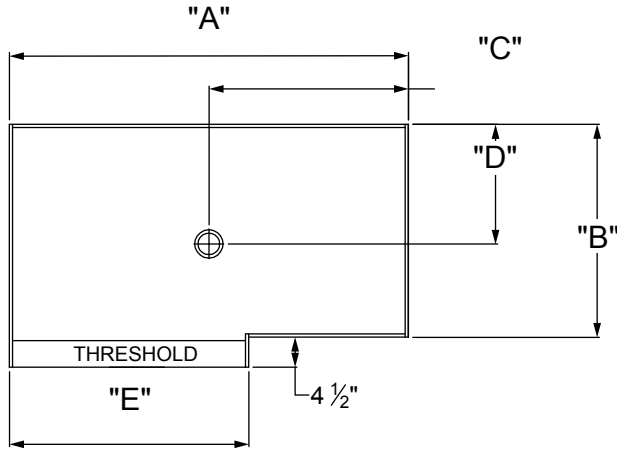


# L-SHAPED RECEPTOR - MEASUREMENT GUIDE

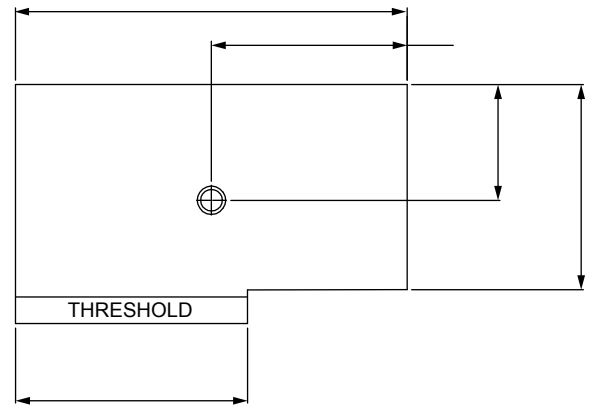
## LEFT OPENING - ROUGH OPENING DIMENSIONS

TAG#:

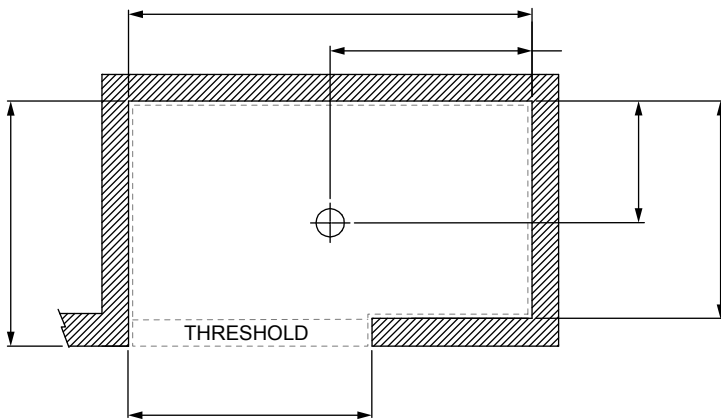
RECEPTOR  
OUTSIDE  
DIMENSIONS



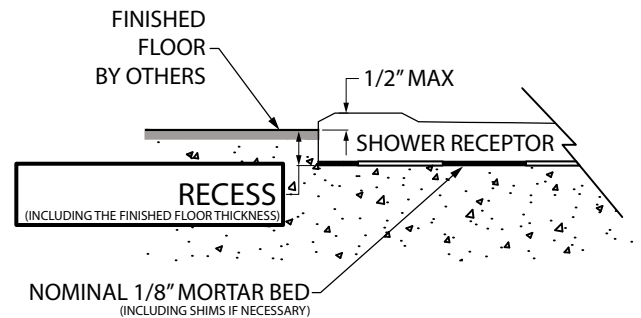
RECEPTOR  
INSIDE FINISHED DIMENSIONS  
(1/4" FINISHED WALL THICKNESS & 5/8" SUBSTRATE)



ROUGH OPENING  
DIMENSIONS  
(5/8" SUBSTRATE)



RECEPTOR  
RECESS/FLOAT



### DIRECTIONS:

- INPUT TAG# IF APPLICABLE
- INPUT DESIRED ROUGH OPENING DIMENSIONS
- ALL OTHER VALUES WILL AUTOFILL, ALL DIMENSIONS ARE IN INCHES

IPC.3025/REV.2

Inprocorp.com • 800.222.5556 • 262.679.9010

World Headquarters S80 W18766 Apollo Drive, Muskego, WI 53150 USA

**ENDURANT®** •

WASHROOM SYSTEMS  
A DIVISION OF INPRO®