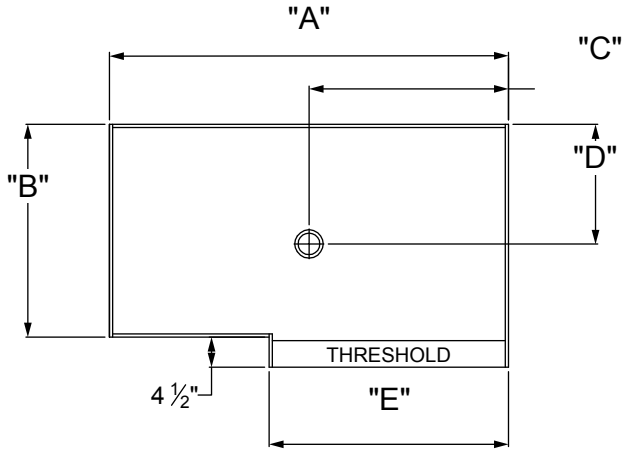


# L-SHAPED RECEPTOR - MEASUREMENT GUIDE

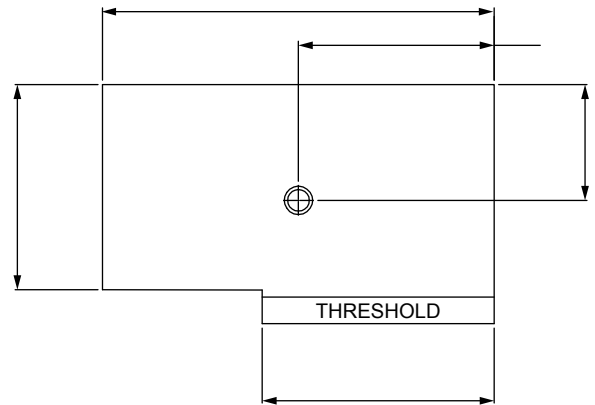
## RIGHT OPENING - FINISHED OPENING DIMENSIONS

TAG#:

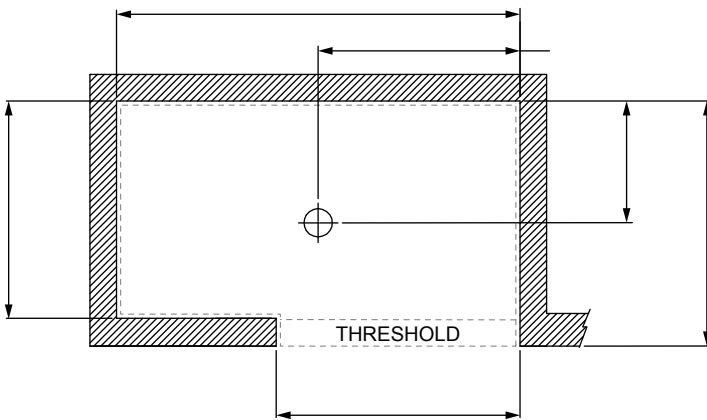
RECEPTOR  
OUTSIDE  
DIMENSIONS



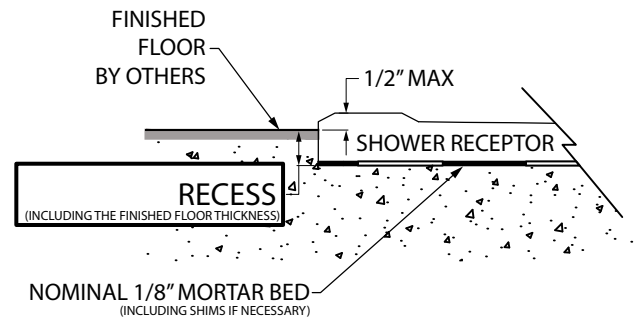
RECEPTOR  
INSIDE FINISHED DIMENSIONS  
(1/4" FINISHED WALL THICKNESS & 5/8" SUBSTRATE)



ROUGH OPENING  
DIMENSIONS  
(5/8" SUBSTRATE)



RECEPTOR  
RECESS/FLOAT



**DIRECTIONS:**

- INPUT TAG# IF APPLICABLE
- INPUT DESIRED FINISHED OPENING DIMENSIONS
- ALL OTHER VALUES WILL AUTOFILL, ALL DIMENSIONS ARE IN INCHES

IPC.3026/REV.2

**Inprocorp.com • 800.222.5556 • 262.679.9010**  
World Headquarters S80 W18766 Apollo Drive, Muskego, WI 53150 USA

**ENDURANT®**  
WASHROOM SYSTEMS  
A DIVISION OF INPRO®

This is an Adobe Acrobat pdf file with dynamic functionality and will only perform as intended in Adobe Reader. Please save the file locally and open using Adobe Reader. If you do not have Adobe Reader please download the latest version and install it before using this form.