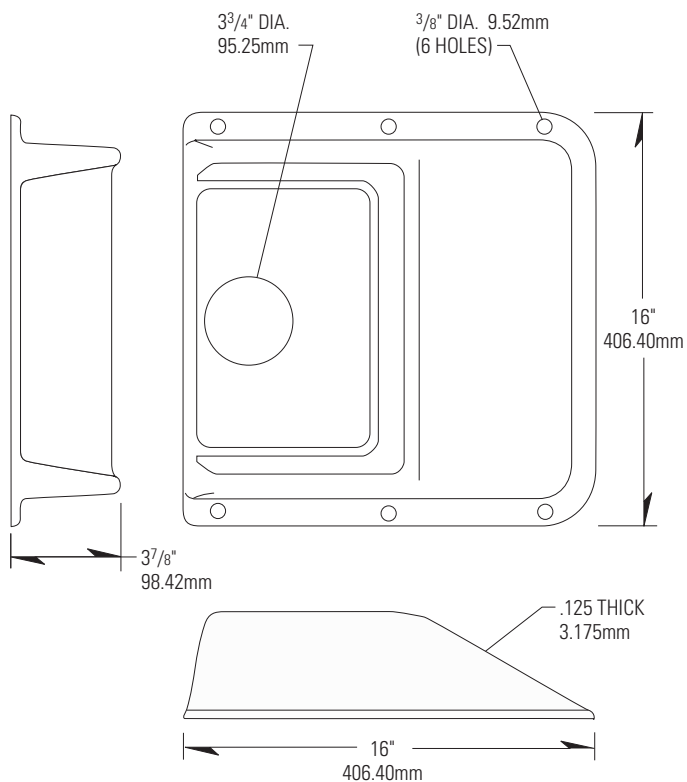


Lever Door Handle Protector



- ▶ Protect both right and left side opening lever door handles
- ▶ Manufactured from durable thermoplastic
- ▶ Protects 16" (406mm) x 16" (406mm) while extending 3 7/8" (98mm) from the door
- ▶ UL & cUL (Canada Accepted) Classified as Cladding Material
- ▶ All mounting fasteners are included with each order
- ▶ Four colors:
Ivory, Beige, Light Brown and Dark Brown



IPC.456/REV.3

P.O. Box 406 · Muskego, Wisconsin 53150 USA
inprocorp.com
Nationwide 800.222.5556/Fax 888.715.8407
International Sales 262.679.5521/Fax 262.679.5524

INPRO
IPC Interior Protection Products
and Decorative Surfaces

Lever Door Handle

Suggested Specifications

PART 1 - GENERAL

1.01 SUMMARY

- A. Door handle protectors for door protection

1.02 SECTION INCLUDES

- A. Lever Door Handle Protector

1.03 REFERENCES

- A. Underwriters Laboratory (UL)
B. Underwriters Laboratory, Canada Accepted (cUL)

1.04 SYSTEM DESCRIPTION

- A. Performance Requirements: Provide door handle protectors that conform to the following requirements of regulatory agencies and the quality control of IPC Door and Wall Protection Systems, InPro Corporation.
1. Fire Performance Characteristics: Provide UL Classified Cladding Material for fire door and fire door frames intended for application on listed door frames used with hollow metal and steel covered composite type fire doors rated up to 3 hours in accordance with UL 10B. Provide cUL (Canada accepted) Cladding Material intended for application on listed fire door frames used on hollow metal and steel composite type fire doors rated up to 3 hours in accordance with CAN4-S104-M80.
2. Fire Performance Characteristics: Provide UL Classified Cladding Material for doors and door frames intended for application on classified door frames used with wood composite and wood core type fire doors rated up to 1¹/₂ hours in accordance with UL 10B. Provide cUL (Canada accepted) Cladding Material intended for application on classified wood composite and wood core type fire doors rated up to 1¹/₂ hours in accordance with CAN4-S104-M80.
- #### 1.05 SUBMITTALS
- A. Product Data: Manufacturer's printed product data for each type of door handle protector specified.
- B. Detail Drawings: Mounting details with the appropriate adhesives for specific project substrates.
- C. Samples: Verification samples of door handle protector, in full size of each type and color indicated.
- D. Manufacturer's Installation Instruction: Printed installation instructions for each door handle protector

1.06 DELIVERY, STORAGE AND HANDLING

- A. Deliver materials in unopened factory packaging to the jobsite
- B. Inspect materials at delivery to assure that specified products have been received.
- C. Store in original packaging in a climate controlled location away from direct sunlight.

1.07 PROJECT CONDITIONS

- A. Environmental Requirements: Products must be installed in an interior climate controlled environment.

1.08 WARRANTY

- A. Standard IPC Limited Lifetime Warranty against material and manufacturing defects.

PART 2 - PRODUCTS

2.01 MANUFACTURER

- A. Acceptable Manufacturer: IPC Door and Wall Protection Systems, InPro Corporation, PO Box 406 Muskego, WI 53150 USA; Telephone: 800-222-5556, Fax: 888-715-8407, Internet address: <http://www.inprocorp.com>
- B. Substitutions: Not permitted
- C. Provide all corner guards and wall protection from a single source.

2.02 MANUFACTURED UNITS

- A. Door Handle Protectors
1. Lever Door Handle Protector, dimensions: 16" (406mm) high x 16" (406mm) wide x 3⁷/₈" (98mm) deep

2.03 MATERIALS

- A. Vinyl: Lever Door Handle Protectors shall be vacuum formed of vinyl material to .125" (3mm) thickness.

2.04 FINISHES

- A. Color of door handle protector to be selected by the architect from four standard colors.

PART 3 - EXECUTION

3.01 EXAMINATION

- A. Examine areas and conditions in which the lever door handle protector systems will be installed.
1. Complete all finishing operations, including painting, before beginning installation of lever door

handle protector system materials.

- B. Door surface shall be dry and free from dirt, grease and loose paint.

3.02 PREPARATION

- A. General: Prior to installation, clean substrate to remove dust, debris and loose particles.

3.03 INSTALLATION

- A. General: Locate the lever door handle protector as indicated on the approved detail drawing for the appropriate substrate and in compliance with the IPC installation instructions.
- B. Installation of the Lever Door Handle Protector
1. Position the door knob protector on the door. Using the protector as a template, mark the location of the 6 mounting holes on the door.
2. Drill ³/₈" (9.5mm) holes through the door.
3. Mount the door knob protector with a sex bolt from the front, a spacer from behind and hex head bolt, lockwasher and flat washer from the other side of the door.

3.04 CLEANING

- A. At completion of the installation, clean surfaces in accordance with the IPC clean-up and maintenance instructions.

