

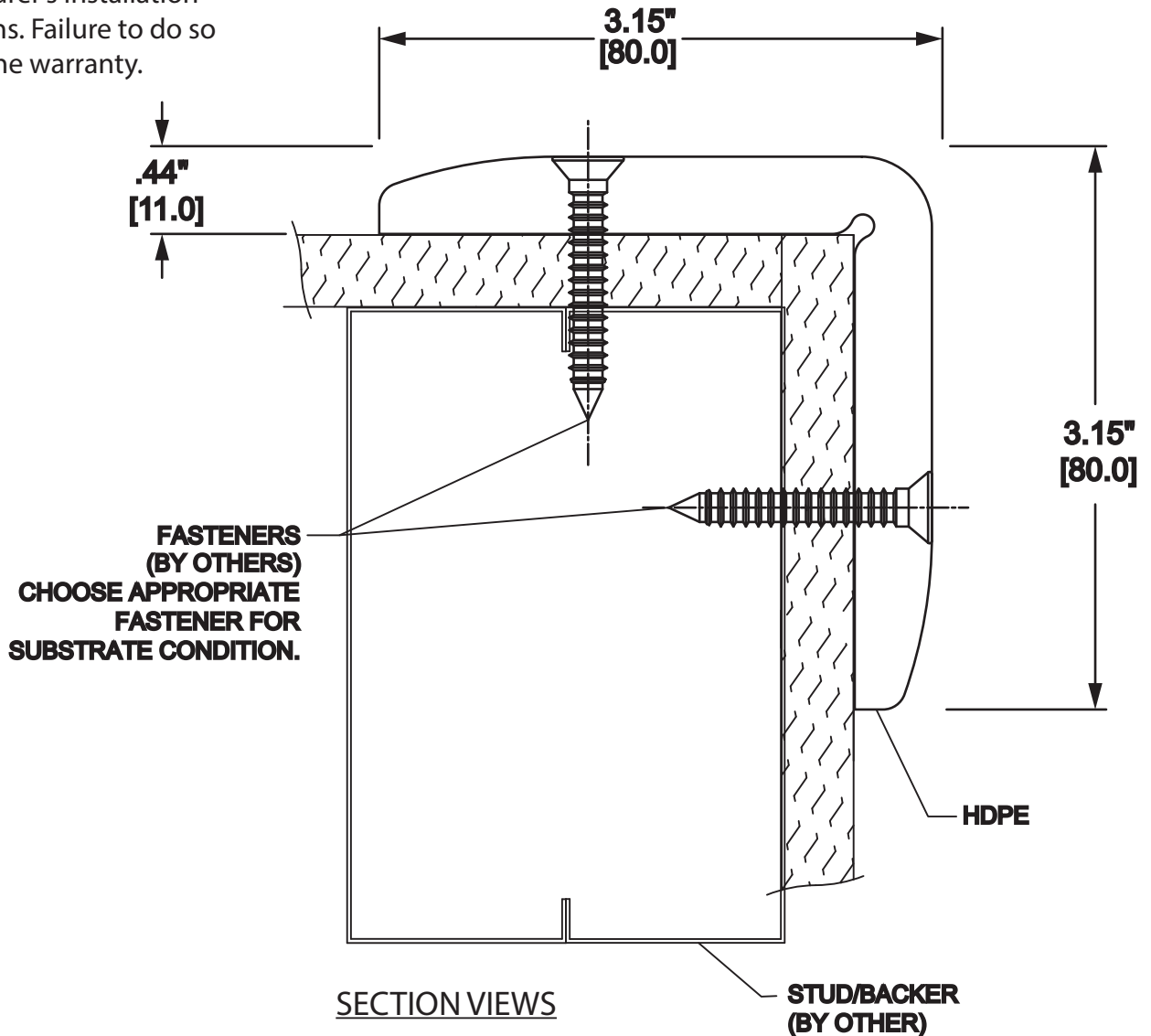
Installation Instructions

NuTree Corner Guard

Please read all instructions before installing corner guard.

Important

1. Acclimate materials 24 hrs before installation. Maintain temperature controlled environment after installation
2. Install in accordance with manufacturer's installation instructions. Failure to do so will void the warranty.



Recommended tools

Safety Glasses, Tape Measure, Level, Power Drill, 1/4" Socket, Drill Bits - 1/4" masonry (concrete/concrete block), Power Miter Saw, 10" Blade with 60-80 Carbide Tipped Teeth

IPC.494/REV.5

Installation Hotline • 866.EZINPRO

Inprocorp.com • 800.222.5556 • 262.679.9010

World Headquarters S80 W18766 Apollo Drive, Muskego, WI 53150 USA

IPC •

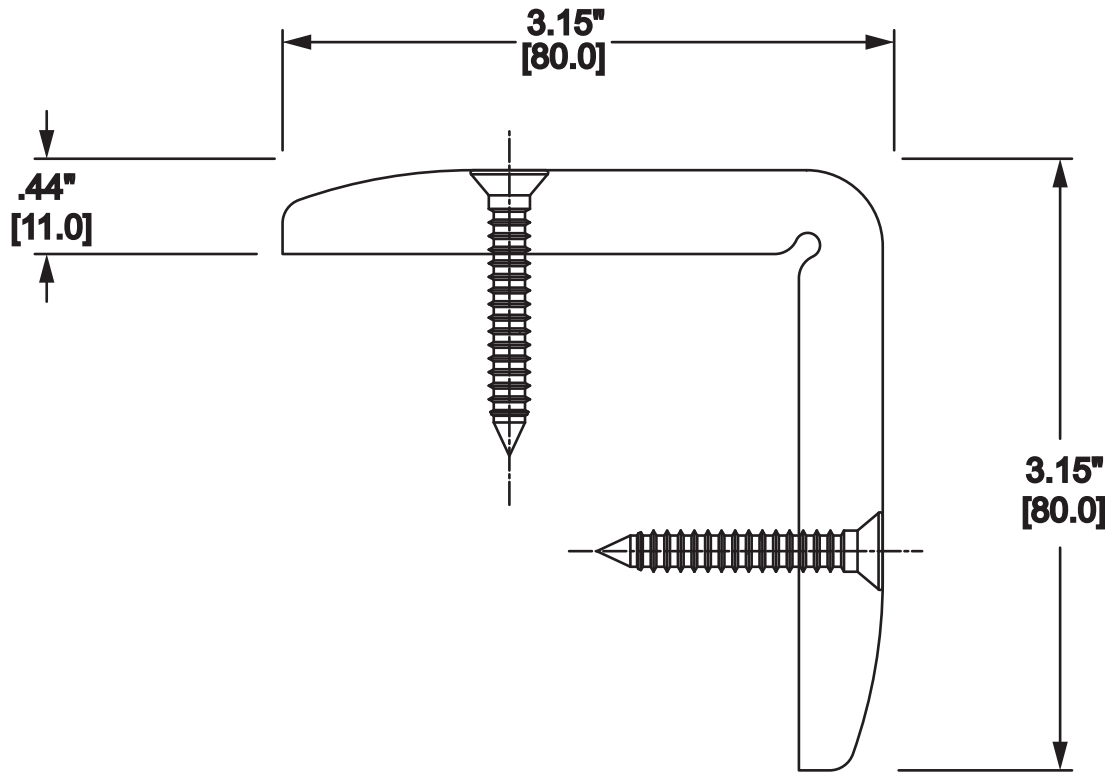
DOOR + WALL PROTECTION SYSTEMS
A DIVISION OF INPRO®

Installation Instructions

NuTree Corner Guard

Please read all instructions before installing corner guard.

Components and Fasteners



SHOWN AT 1 1/2"

Installation Hotline • 866.EZINPRO
Inprocorp.com • 800.222.5556 • 262.679.9010
World Headquarters S80 W18766 Apollo Drive, Muskego, WI 53150 USA

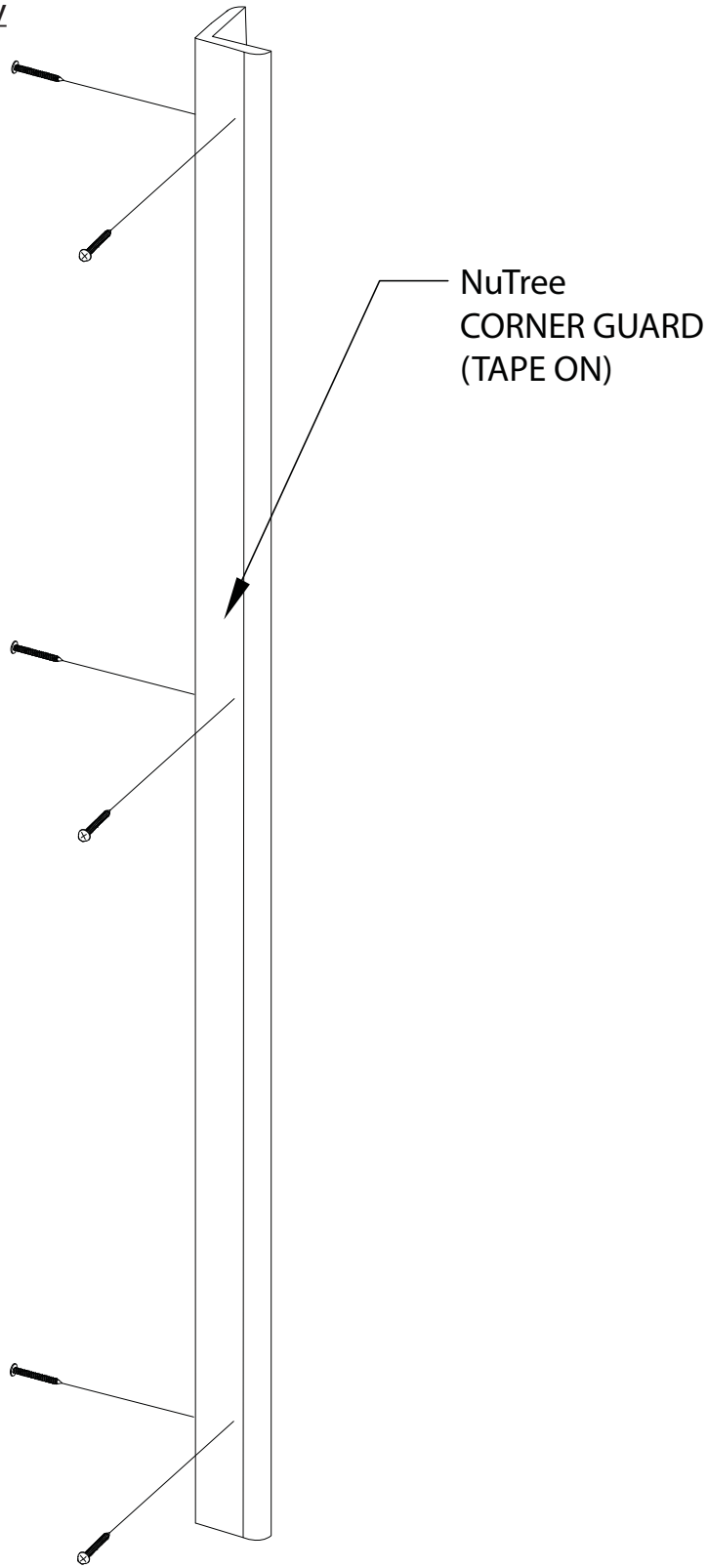
IPC® •
DOOR + WALL PROTECTION SYSTEMS
A DIVISION OF INPRO®

Installation Instructions

Please read all instructions before installing corner guard.

NuTree Corner Guard

Exploded View assembly



Installation Hotline • 866.EZINPRO
Inprocorp.com • 800.222.5556 • 262.679.9010
World Headquarters S80 W18766 Apollo Drive, Muskego, WI 53150 USA

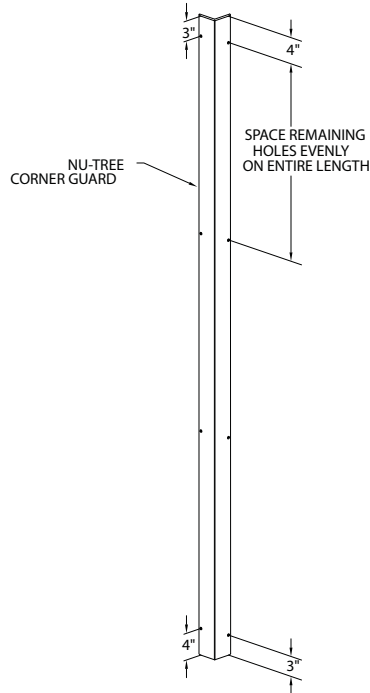
IPC •
DOOR + WALL PROTECTION SYSTEMS
A DIVISION OF INPRO®

Installation Instructions

NuTree Corner Guard

Please read all instructions before installing corner guard.

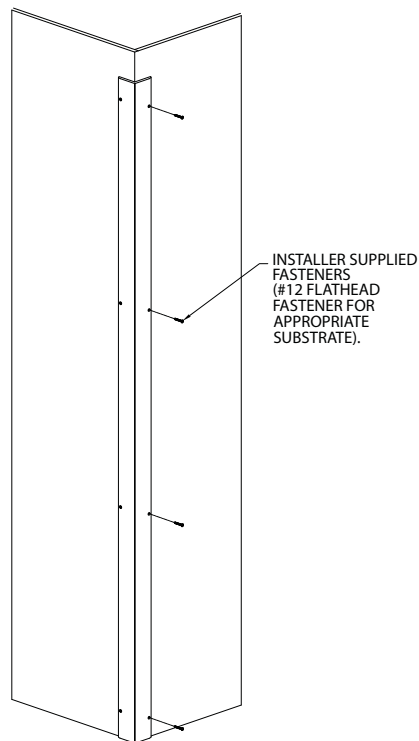
FIG. 1



Please read all instructions before installing corner guard.

1. Cut the corner guard to desired length. Use eight fasteners (four per wing) for an 8-foot corner guard.
2. Select a #12 flat head fastener that is appropriate for the substrate. Drill 9/32" holes in the corner guard. Create a countersink at each hole location to recess the head of the fastener. **See Figure 1**
3. Attach the wall guard to the wall with fasteners. **See Figure 2**
4. If using fasteners with anchors: Use the corner guard as a template and transfer the hole locations to the wall. Drill holes in the wall using the drill size recommended by the fastener/anchor manufacturer.

FIG. 2



Installation Hotline • 866.EZINPRO

Inprocorp.com • 800.222.5556 • 262.679.9010

World Headquarters S80 W18766 Apollo Drive, Muskego, WI 53150 USA

IPC®

DOOR + WALL PROTECTION SYSTEMS
A DIVISION OF INPRO®