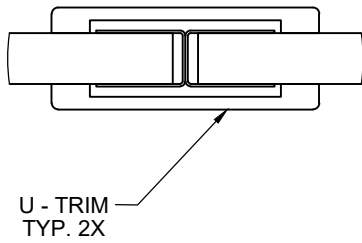
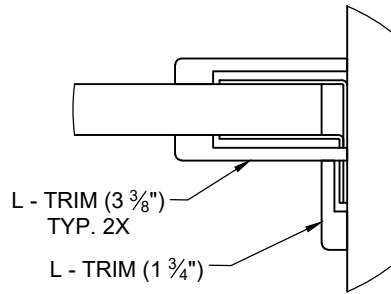


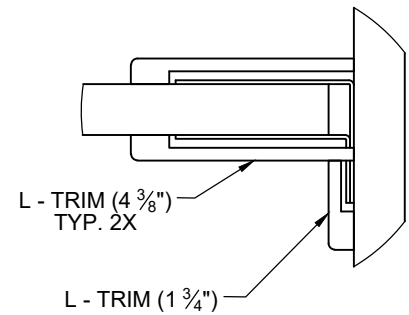
H - BRACKET
CONTINUOUS



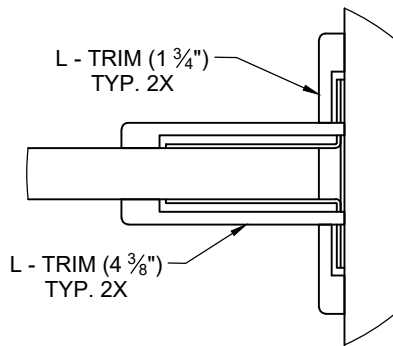
ONE EAR BRACKET - SHORT
INDIVIDUAL & CONTINUOUS



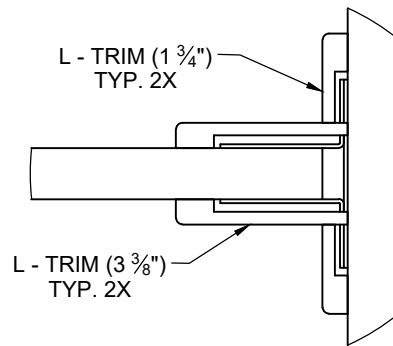
ONE EAR BRACKET - LONG
INDIVIDUAL



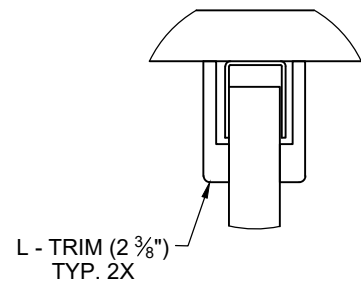
TWO EAR BRACKET - LONG
INDIVIDUAL



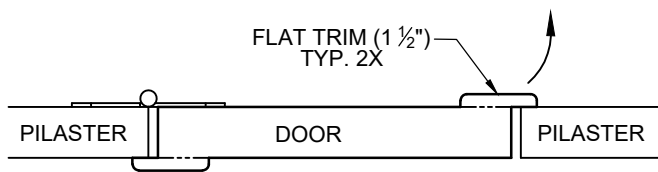
TWO EAR BRACKET - SHORT
CONTINUOUS & URINAL SCREEN



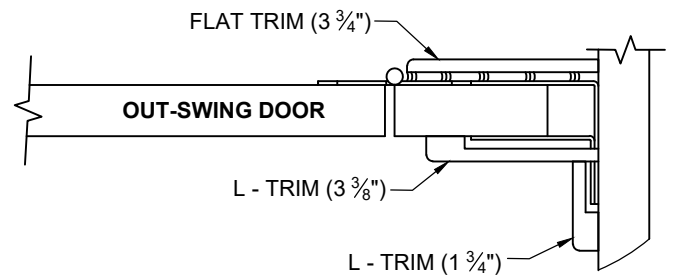
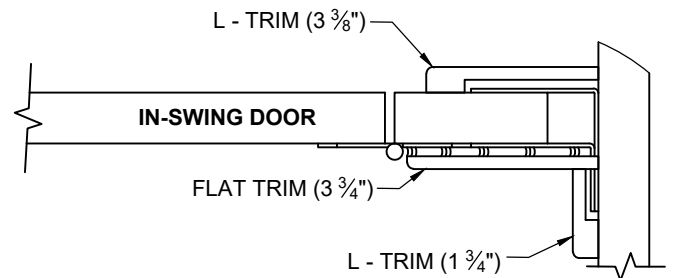
U - BRACKET
INDIVIDUAL & CONTINUOUS



DOOR



ONE EAR BRACKET - SHORT
(3" PILASTER ONLY)
INDIVIDUAL & CONTINUOUS



AVAILABLE LENGTHS:

- 58" [1473.2]
- 64" [1625.6]
- 72" [1828.8]
- 84" [2133.6]

TRIM TO BE CUT TO LENGTH IN FIELD FOR CUSTOM LENGTHS

1" GAP MANDATORY BETWEEN PILASTER AND WALL

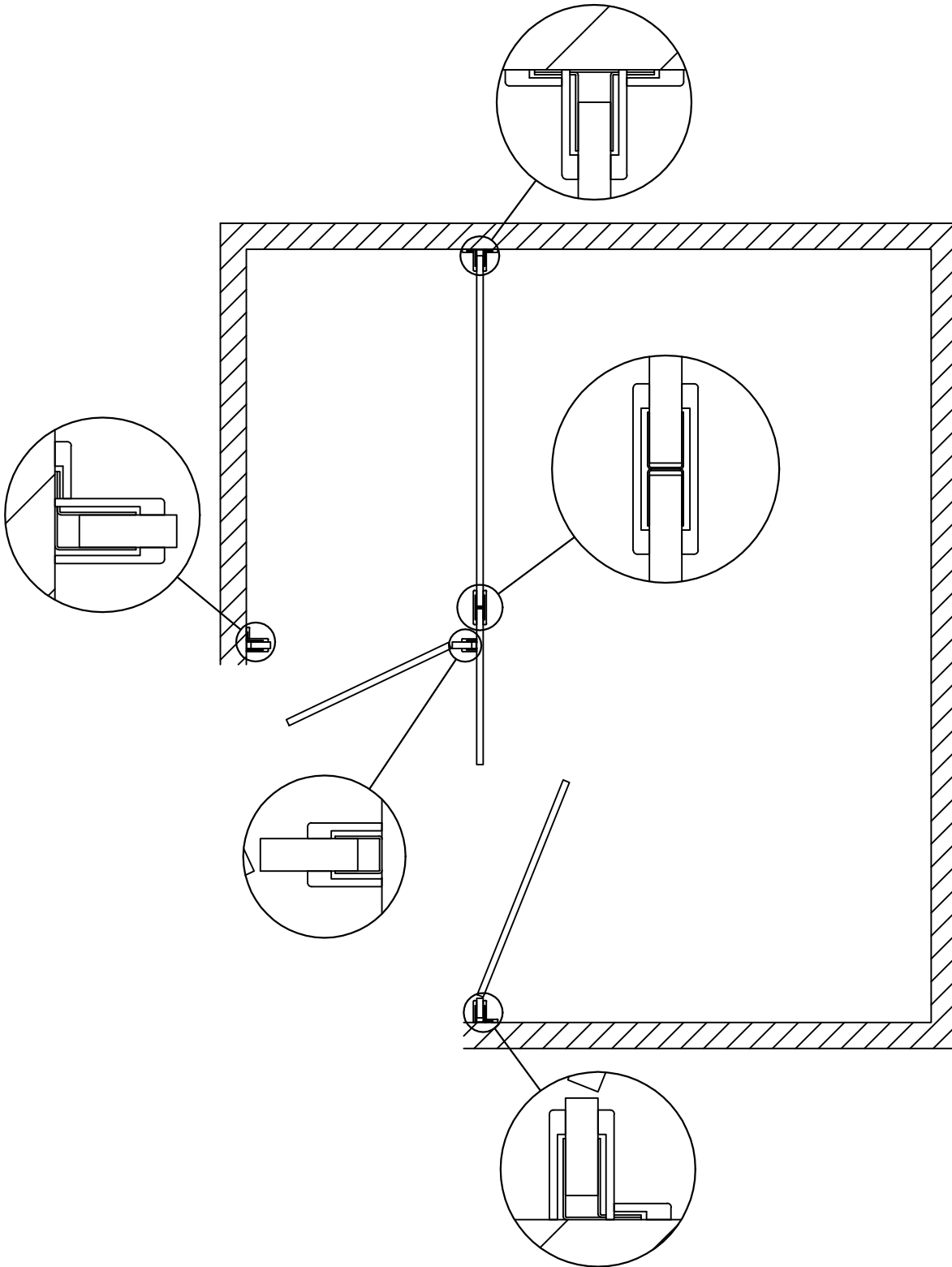
DATE: 03/18/2019

SCALE: NTS

DOC.CADEN.102/rev 1

PARTITIONS - FULL TRIM PACKAGE
TYPICAL USE SCENARIO





DATE: 03/18/2019

SCALE NTS

DOC.CADEN.102/rev 1

PARTITIONS - FULL TRIM PACKAGE
TYPICAL USE SCENARIO

