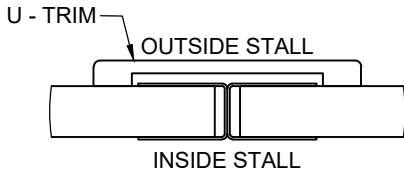
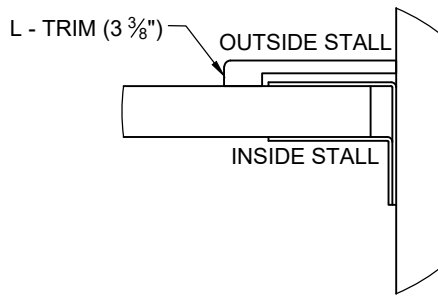


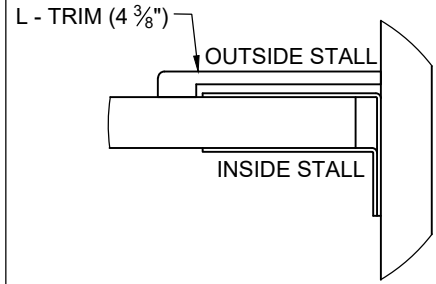
**H - BRACKET**  
CONTINUOUS



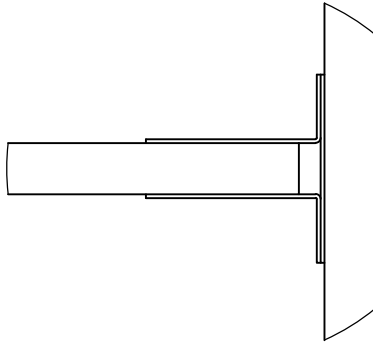
**ONE EAR BRACKET - SHORT**  
INDIVIDUAL & CONTINUOUS



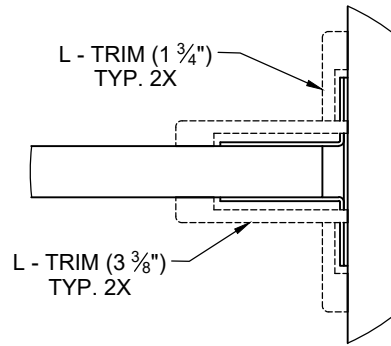
**ONE EAR BRACKET - LONG**  
INDIVIDUAL



**TWO EAR BRACKET - LONG**  
INDIVIDUAL

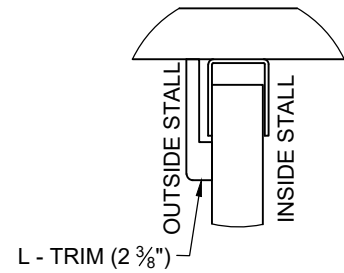


**TWO EAR BRACKET - SHORT**  
CONTINUOUS & URINAL SCREEN

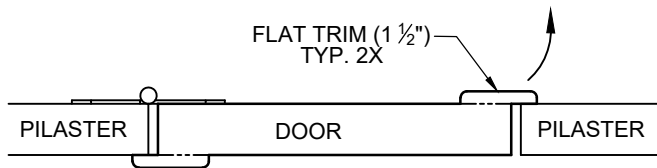


TRIM ONLY APPLIES TO URINAL SCREENS

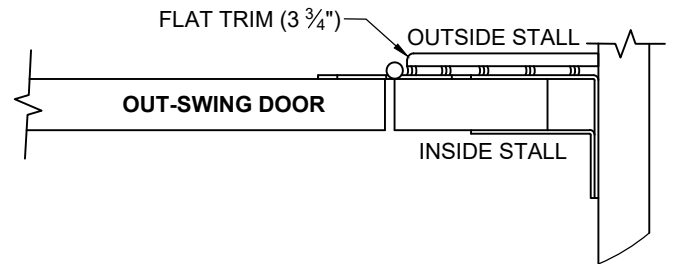
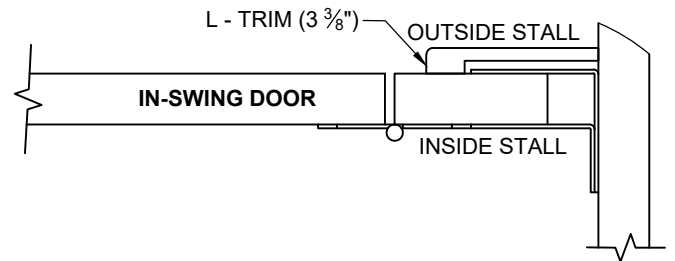
**U - BRACKET**  
INDIVIDUAL & CONTINUOUS



**DOOR**



**ONE EAR BRACKET - SHORT**  
**(3" PILASTER ONLY)**  
INDIVIDUAL & CONTINUOUS



1" GAP MANDATORY BETWEEN PILASTER AND WALL

**AVAILABLE LENGTHS:**

- 58" [1473.2]
- 64" [1625.6]
- 72" [1828.8]
- 84" [2133.6]

TRIM TO BE CUT TO LENGTH IN FIELD FOR CUSTOM LENGTHS

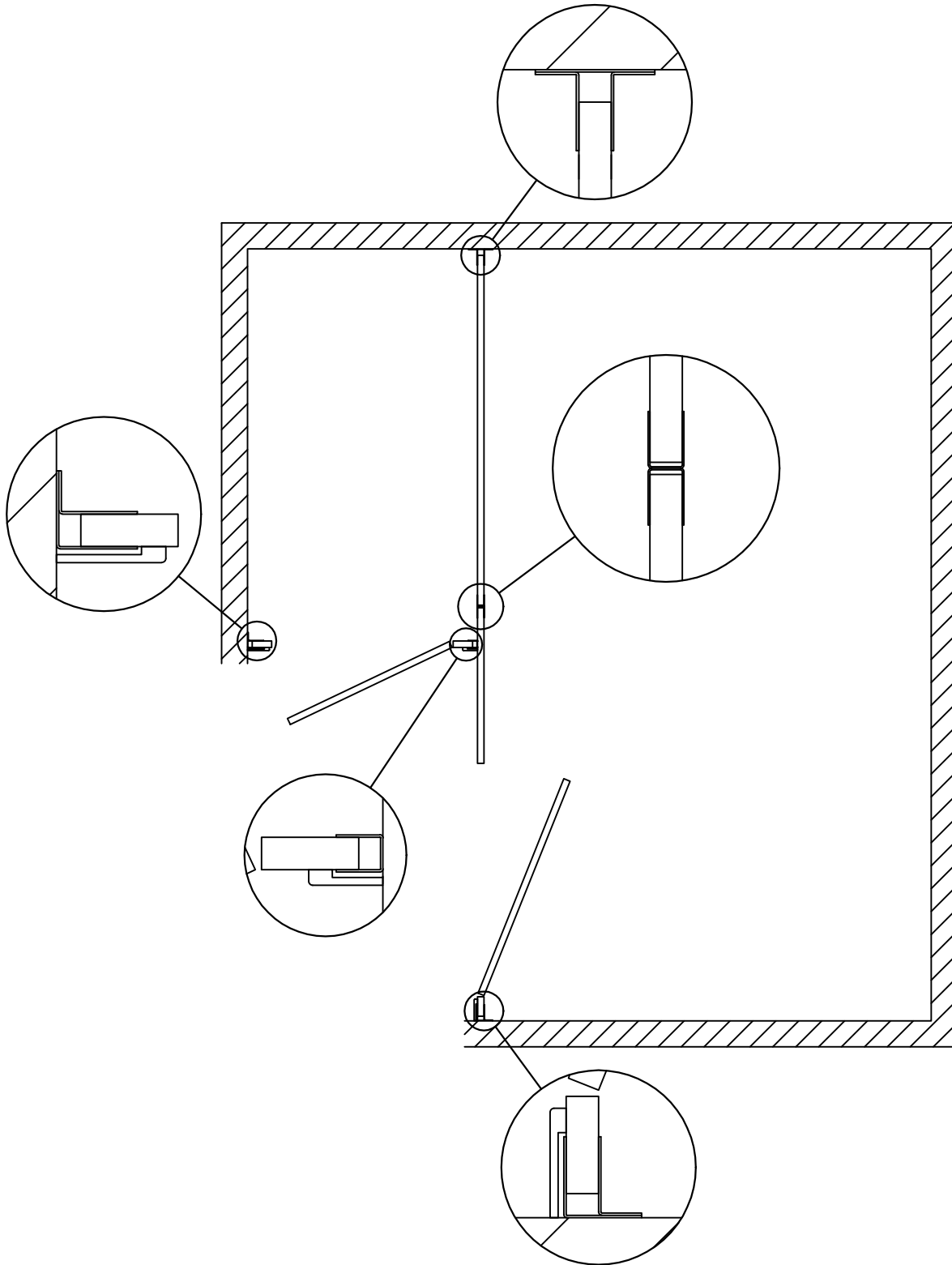
DATE: 03/18/2019

SCALE: NTS

DOC.CADEN.103/rev 1

PARTITIONS - PARTIAL TRIM PACKAGE  
TYPICAL USE SCENARIO





DATE: 03/18/2019

SCALE NTS

DOCCADEN.103/rev 1

PARTITIONS - PARTIAL TRIM PACKAGE  
TYPICAL USE SCENARIO

