

RECEPTOR MEASUREMENT GUIDE - ROUGH OPENING DIMENSIONS

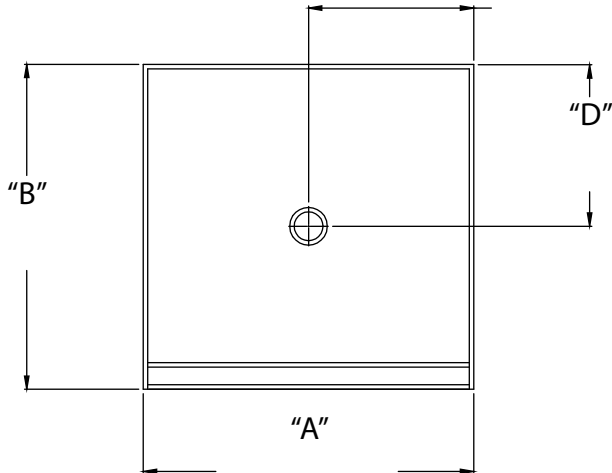
WATER BARRIER OPTIONS:

SINGLE (DEFAULT)

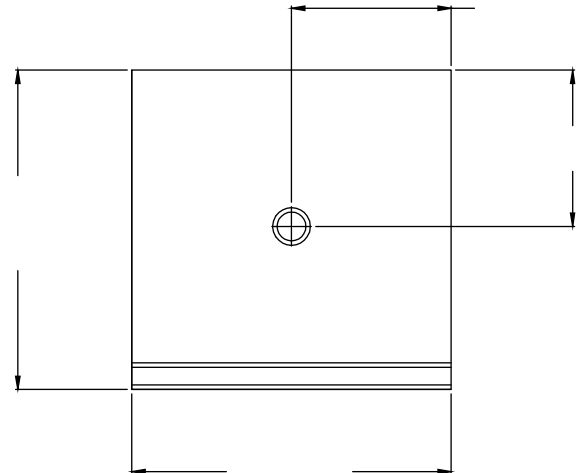
DOUBLE

TAG#:

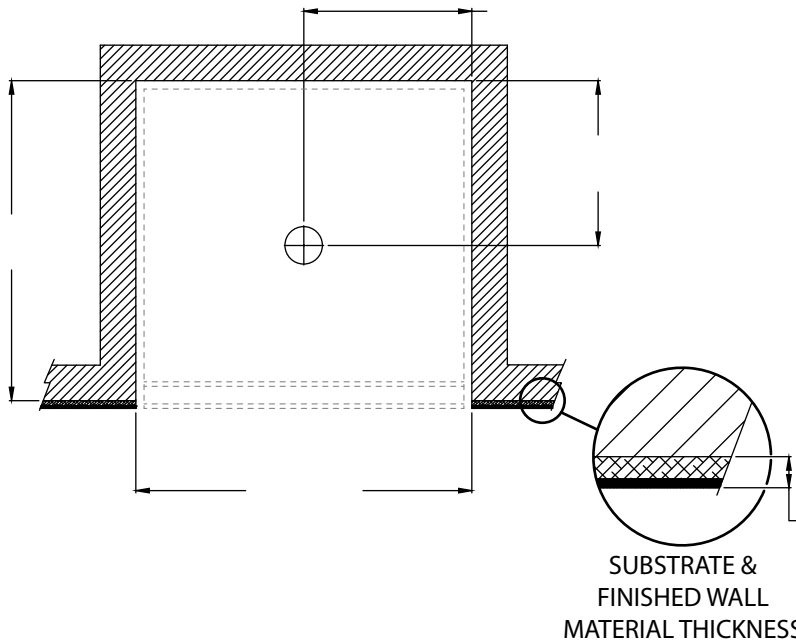
RECEPTOR
OUTSIDE
DIMENSIONS



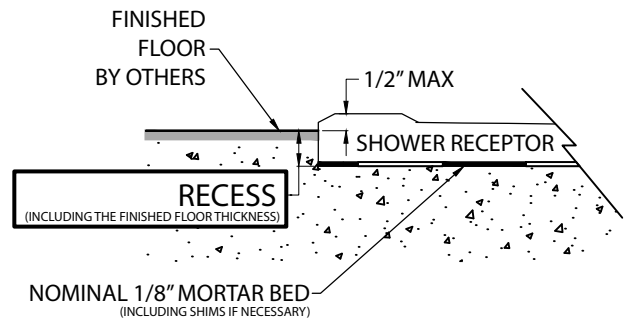
RECEPTOR
INSIDE FINISHED DIMENSIONS
(1/4" FINISHED WALL THICKNESS & 5/8" SUBSTRATE)



ROUGH OPENING
DIMENSIONS
(5/8" SUBSTRATE)



RECEPTOR
RECESS/FLOAT



DIRECTIONS:

- CHOOSE SINGLE (DEFAULT) OR DOUBLE WATER BARRIER OPTION, INPUT TAG# IF APPLICABLE
- INPUT DESIRED ROUGH OPENING DIMENSIONS AND WALL MATERIAL THICKNESS
- ALL OTHER VALUES WILL AUTO FILL, ALL DIMENSIONS ARE IN INCHES

IPC.2337/REV.1

Inprocorp.com • 800.222.5556 • 262.679.9010

World Headquarters S80 W18766 Apollo Drive, Muskego, WI 53150 USA

ENDURANT® •

WASHROOM SYSTEMS
A DIVISION OF INPRO®