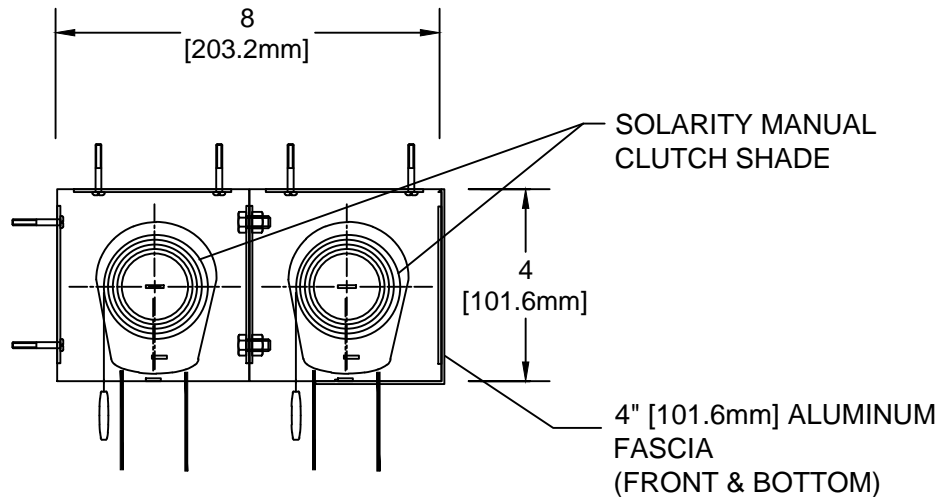
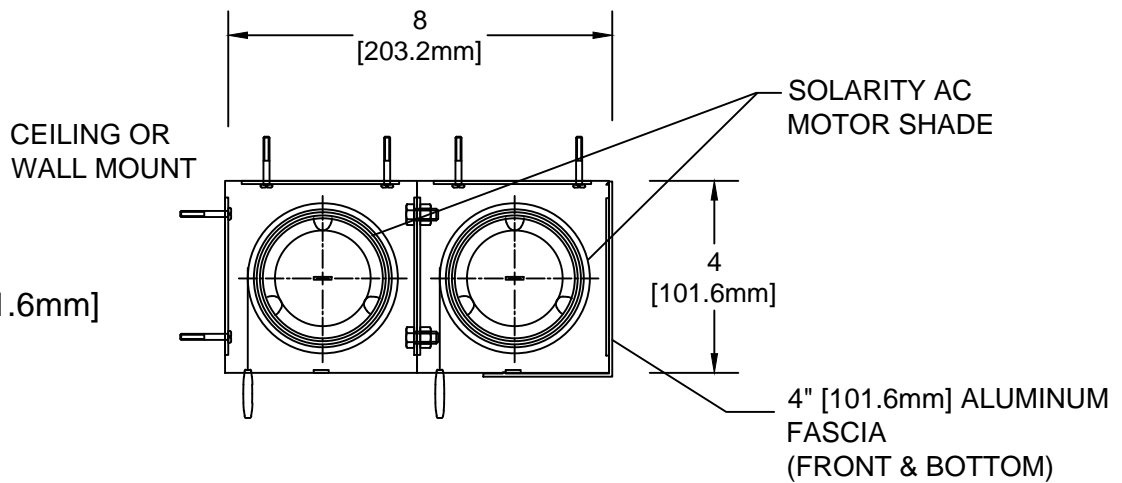


CLUTCH OR 110 V AC MOTOR MOUNTED IN DUAL FASCIA

DUAL CLUTCH
SHADES WITH
4" [101.6mm]



DUAL 110 V
AC SHADES
WITH 4" [101.6mm]
FASCIA



NOTES:

1. DUAL FASCIA BRACKETS CONSIST OF TWO 4" [101.6mm] FASCIA BRACKETS BOLTED TOGETHER.
2. SHADE ROLL DIAMETER VARIES DEPENDING UPON SHADE HEIGHT AND FABRIC AND ROLLER TUBE SPECIFIED.
3. BRACKET DETAILS WORK FOR STD-AC, STD-ACR, STD-ILT-AC, IQM-AC, IQM-ACR, AND IQM-ILT-AC MOTORS.
4. STD-AC, STD-ACR, STD-ILT-AC, IQM-AC, IQM-ACR, AND IQM-ILT-AC ARE COMPLETE UL LISTED SYSTEMS WITH A 10' SJT RATED PIGTAIL AND INCLUDE A UL LISTED LABEL ON ROLLER TUBE.

CLICKEZE
PRIVACY SYSTEMS

DATE: 08/21/13
SCALE: 1:4
DOC.CADCZ.033/rev1

Solarity™
CLUTCH or MOTORIZED
SHADE with DUAL FASCIA

inpro.