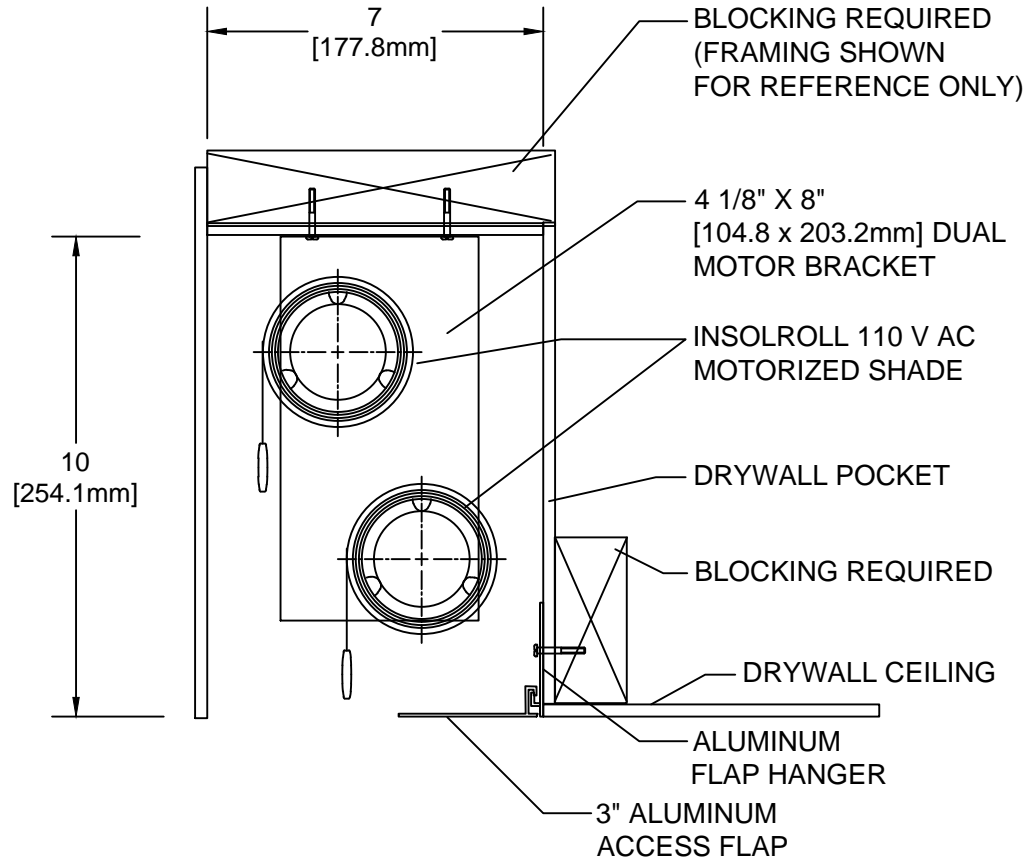


110 V AC MOTOR DUAL SHADE IN SITE-BUILT POCKET



NOTES:

1. SHADE ROLL DIAMETER VARIES DEPENDING UPON SHADE HEIGHT AND FABRIC AND ROLLER TUBE SPECIFIED.
2. BRACKET DETAILS WORK FOR STD-AC, STD-ACR, STD-ILT-AC, IQM-AC, IQM-ACR, AND IQM-ILT-AC MOTORS.
3. STD-AC, STD-ACR, STD-ILT-AC, IQM-AC, IQM-ACR, AND IQM-ILT-AC ARE COMPLETE UL LISTED SYSTEMS WITH A 10' PIGTAIL AND INCLUDE A UL LISTED LABEL ON ROLLER TUBE.

CLICKEZE
PRIVACY SYSTEMS

DATE: 08/21/13
SCALE 1:4
DOC.CADCZ.038/rev1

Solarity™
Motorized Dual Shade
in Site-Built Pocket

inpro.