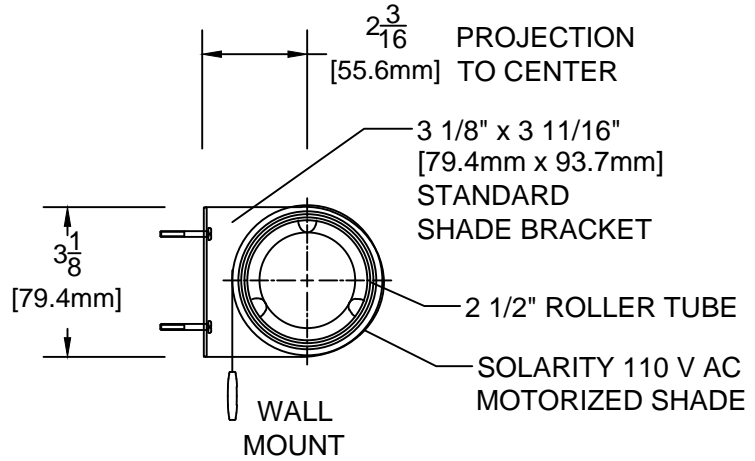
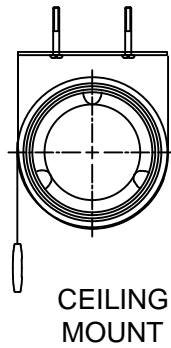
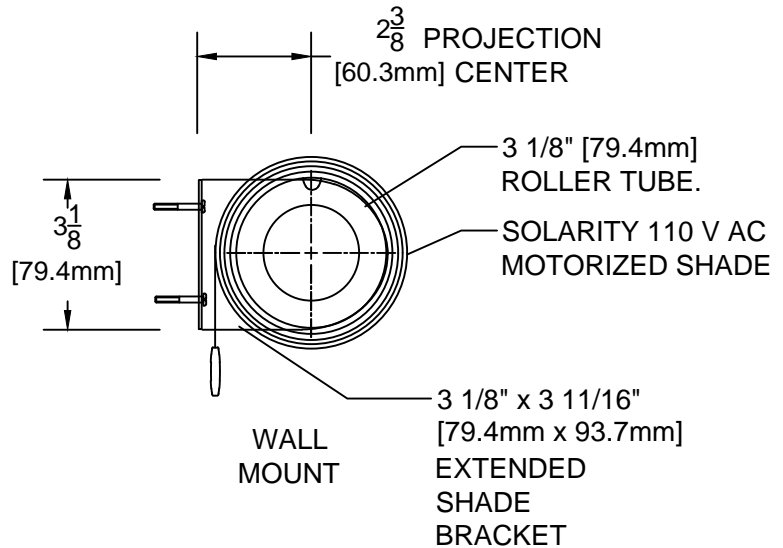
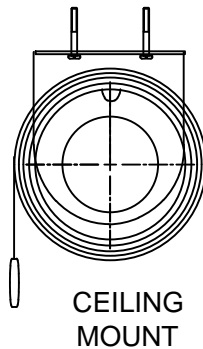


110 V AC MOTOR MOUNTING BRACKET Details

STANDARD MOUNTING BRACKETS



EXTENDED MOUNTING BRACKETS



Notes:

1. EXTENDED BRACKETS USED ON ALL SHADES TALLER THAN 16' - 0" [4.9M].
2. SHADE ROLL DIAMETER VARIES DEPENDING UPON SHADE HEIGHT AND FABRIC AND ROLLER TUBE SPECIFIED.
3. BRACKET DETAILS WORK FOR STD-AC, STD-ACR, STD-ILT-AC, IQM-AC, IQM-ACR, AND IQM-ILT-AC MOTORS.

CLICKEZE
PRIVACY SYSTEMS

DATE: 08/21/13
SCALE: 1:4
DOC.CADCZ.039/rev1

Solarity™
Motorized Shade
Bracket Details

inpro.