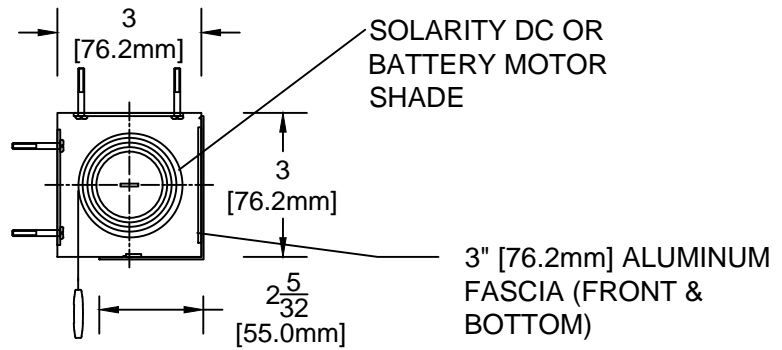


MOTORIZED SHADES WITH FASCIA

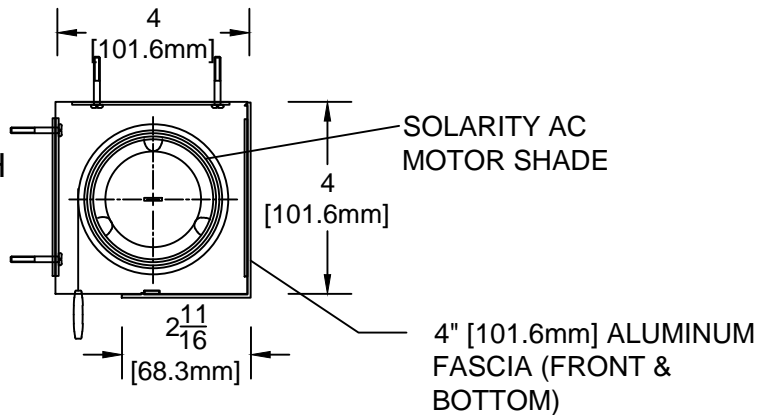
3" [76.2mm] FASCIA WITH
DC or BATTERY
MOTOR SHADE

CEILING OR
WALL MOUNT



4" [101.6mm] FASCIA WITH
AC MOTOR SHADE

CEILING OR
WALL MOUNT



Notes:

1. DC MOTORS (IQM-DCR ONLY) AND BATTERY MOTORS ARE COMPATIBLE WITH 3" [76.2mm] FASCIA.
2. AC MOTORS (STD-AC, STD-ACR, 8TD-ILT-AC, IQM-AC, IQM-ACR, IQM-ILT-AC) ARE COMPATIBLE WITH 4" [101.6mm] FASCIA. SOME LARGE SHADE SIZES EXCEED 4" [101.6mm] FASCIA CAPACITY. CALL FOR ASSISTANCE.
3. SHADE ROLL DIAMETER VARIES DEPENDING UPON SHADE HEIGHT AND FABRIC AND ROLLER TUBE SPECIFIED.