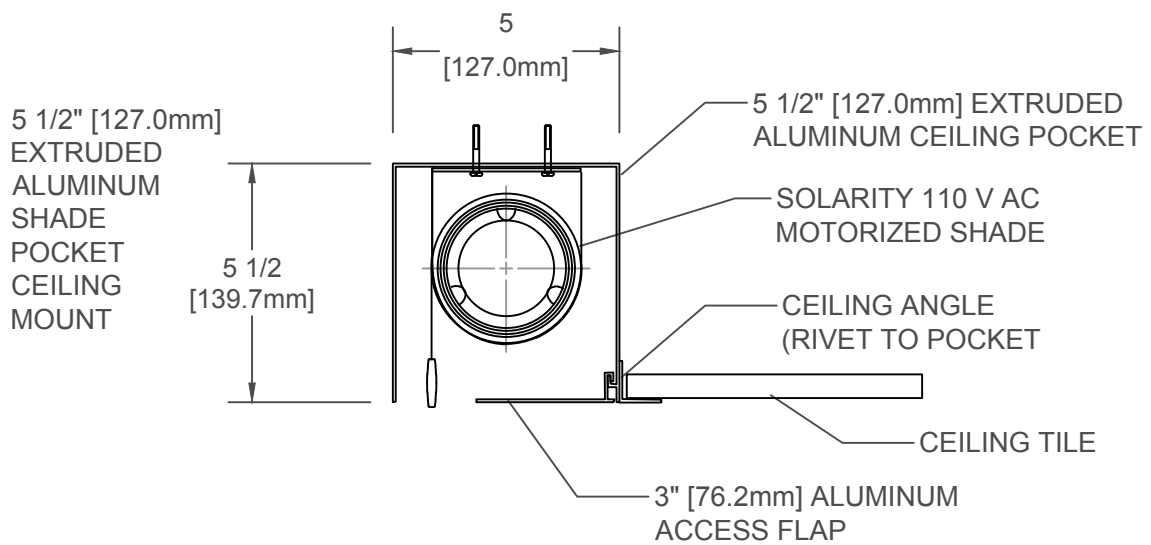


110 V AC MOTOR MOUNTED IN SHADE POCKET



NOTES:

1. SHADE ROLL DIAMETER VARIES DEPENDING UPON SHADE HEIGHT AND FABRIC AND ROLLER TUBE SPECIFIED.
2. BRACKET DETAILS WORK FOR STD-AC, STD-ACR, STD-ILT-AC, IQM-AC, IQM-ACR, AND IQM-ILT-AC MOTORS.

CLICKEZE
PRIVACY SYSTEMS

DATE: 08/21/13
SCALE: 1:4
DOC.CADCZ.042/rev2

Solarity™
Motorized Shade
Pocket Applications

inpro.