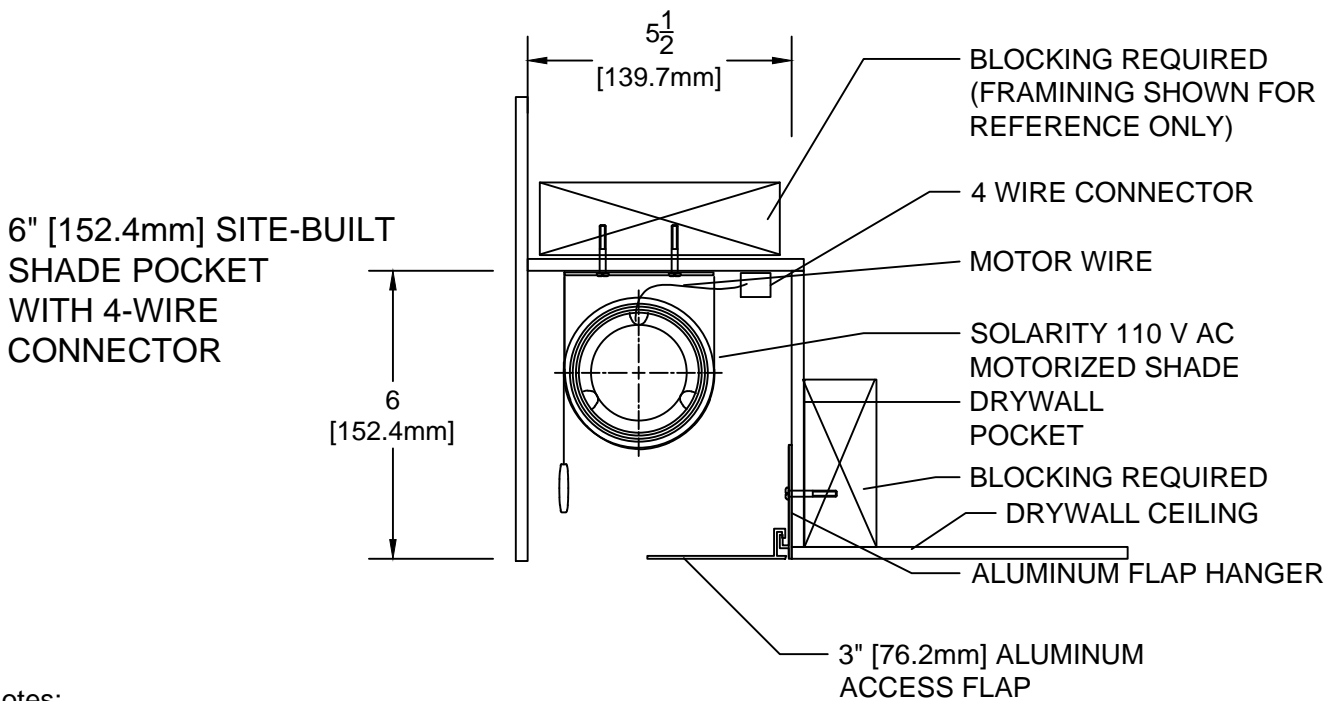
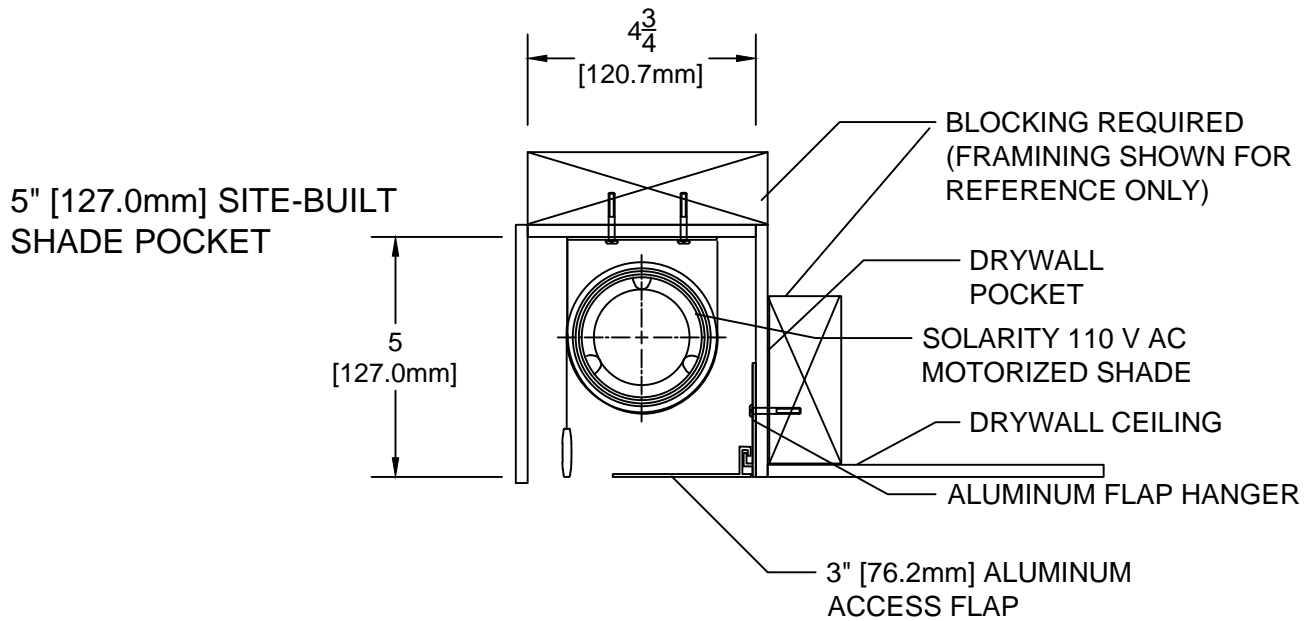


110 V AC MOTOR IN SITE BUILT POCKET



Notes:

1. 5" [127.0mm] SITE-BUILT SHADE POCKET TYPICALLY DETAILED IN APPLICATIONS WITH J-BOX IN FRONT OF POCKET OR BEYOND END BRACKETS.
2. 6" [152.4mm] SITE-BUILT SHADE POCKET CAN ACCOMMODATE EXTENDED BRACKETS, LARGER SHADES, AND 4-WIRE CONNECTOR.
3. SHADE ROLL DIAMETER VARIES DEPENDING UPON SHADE HEIGHT AND FABRIC AND ROLLER TUBE SPECIFIED.
4. BRACKET DETAILS WORK FOR STD-AC, STD-ACR, STD-ILT-AC, IQM-AC, IQM-ACR, AND IQM-ILT-AC MOTORS.