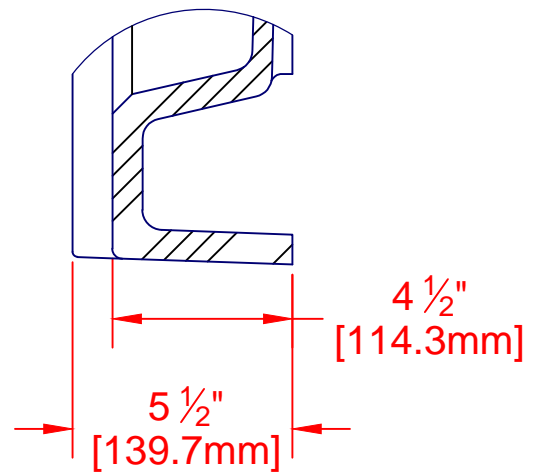
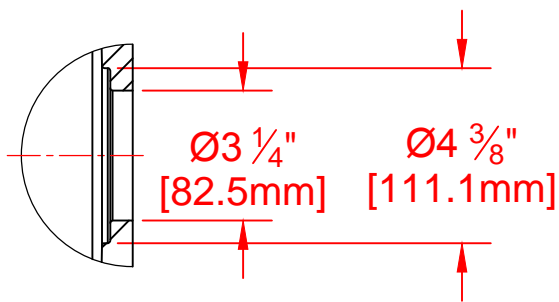
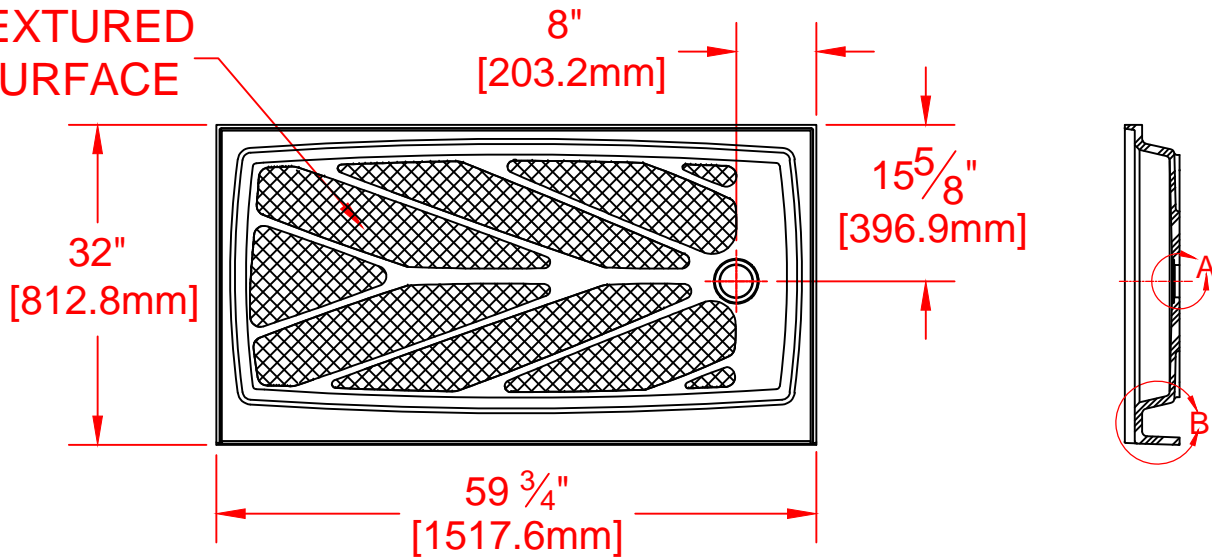


TEXTURED
SURFACE



ENDURANT™
WASHROOM SYSTEMS

DATE: 03/27/2018

SCALE: NTS

DOC.CADEN.095/rev 1

DSCSRP6032MDR
STANDARD 60" x 32" TUB
REPLACEMENT RECEPTOR -
RIGHT DRAIN - BIOPRISM®

inpro.