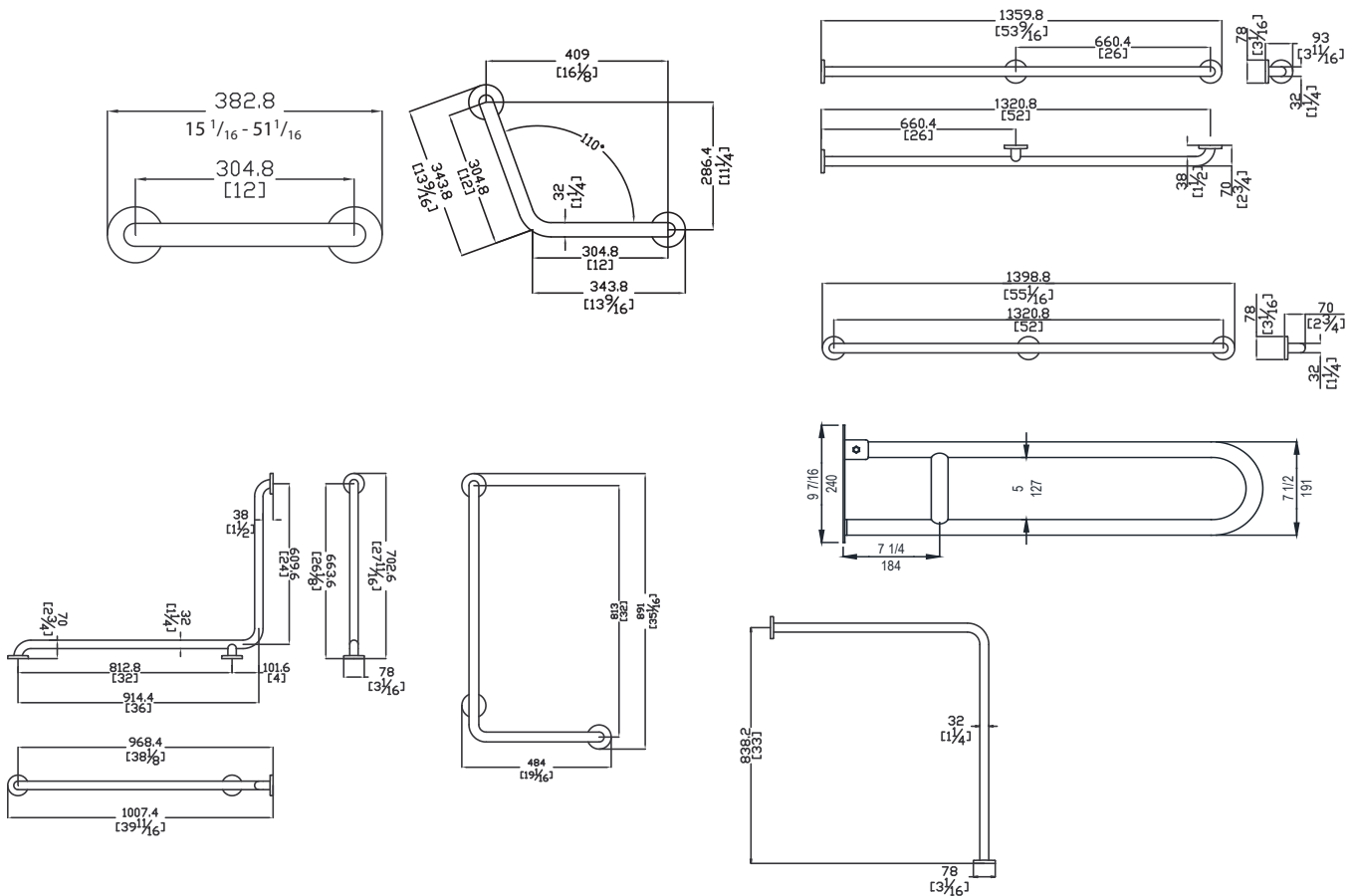


Stainless Steel Grab Bars

- 1 1/4" grab bar diameter meets ADA compliance
- Mechanically secured stainless steel flange covers
- 1 1/2" clear space to wall



IPC.577/Rev.6

Stainless Steel Grab Bars

Suggested Specifications

PART 1 GENERAL

1.01 SUMMARY

A. Grab bars for safety and decoration.

1.02 SECTION INCLUDES

A. Section 10 28 00 – Stainless Steel Grab Bars

1.03 REFERENCES

A. American with Disabilities Act Accessibility Guidelines (ADAAG)

B. American National Standards Institute (ANSI)

C. American Society for Testing and Materials (ASTM)

1.04 SYSTEM DESCRIPTION

A. Performance Requirements: Provide stainless steel grab bar systems that conform to the following requirements of regulatory agencies and the quality control of InPro® Corporation.

1. Code Compliance: Provide grab bars that comply with all current ANSI and ADA requirements.

1.05 SUBMITTALS

A. Product Data: Manufacturer's standard product data for each product specified, including detail dimensions, function, and finish.

B. Samples: Manufacturer's color selection and verification samples – 12" in length.

C. Manufacturer's printed installation instruction: Include anchoring and fastening details.

1.06 DELIVERY, STORAGE AND HANDLING

A. Deliver materials in unopened factory packaging to the jobsite

B. Inspect materials at delivery to assure that specified products have been received.

C. Store in original packaging in a climate controlled location away from direct sunlight.

1.07 PROJECT CONDITIONS

A. Environmental Requirements: Products must be installed in an interior climate controlled environment.

1.08 WARRANTY

A. Limited Lifetime Warranty against material and manufacturing defects.

PART 2 PRODUCTS

2.01 MANUFACTURER

A. Acceptable Distributor/Manufacturer:

InPro® Corporation,
PO Box 406, Muskego, WI 53150, USA;
Telephone: 800-222-5556, Fax: 888-715-8407,
www.inprocorp.com

B. Substitutions: Not permitted.

C. Provide all grab bars and bathroom accessories from a single manufacturer.

2.02 MANUFACTURED UNITS

A. Stainless Steel Grab Bars.

1. Comply with ADA guidelines to withstand 330lbs of loading.

2. Corrosion resistant stainless steel, round 1 1/4" (32mm) diameter with 1 1/2" clear space to wall.

3. Flange cover shall be mechanically secured stainless steel with no set screw. Flange cover to be 3 1/16" (78mm) in diameter.

4. Straight bars, Model Number, Length.

a. DSGB12ADA-STN, 12" long.

b. DSGB16ADA-STN, 16" long.

c. DSGB18ADA-STN, 18" long.

d. DSGB24ADA-STN, 24" long.

e. DSGB30ADA-STN, 30" long.

f. DSGB32ADA-STN, 32" long.

g. DSGB36ADA-STN, 36" long.

h. DSGB42ADA-STN, 42" long.

i. DSGB48ADA-STN, 48" long.

6. Horizontal Corner Grab Bar (L-shape horizontal, reversible), Model Number, Length.

a. DSGBCS4ADA-ST5, 24" x 36"

b. DSGBCS7ADA-ST5, 36" x 54"

7. 110° Angle Bar, Model Number, Length.

a. DSGBABAADA-ST5, 12" x 12" with 110° angle

8. Straight Safety Support with Mid Reinforce, Model Number, Length.

a. DSGB52ADA-STN, 52"

9. Horizontal/Vertical Right Safety Support, Model Number, Length.

a. DSGBLR2ADA-ST5, 16" horizontal x 32" vertical

10. Horizontal/Vertical Left Safety Support, Model Number, Length.

a. DSGBLL2ADA-ST5, 16" horizontal x 32" vertical

11. Straight Safety Support with Mid Reinforce, Corner Mount, Model Number, Length.

a. DSGBFW52ADA-ST5, 52"

12. Wall to Floor Safety Support with Outtrigger, Model Number, Length.

a. DSGBFWLADA-ST5 (Left), 33" vertical x 30" horizontal, Outtrigger height, 12".

b. DSGBFWRADA-ST5 (Right), 33" vertical x 30" horizontal, Outtrigger height, 12".

13. Wall to Floor Safety Support, Model Number, Length.

a. DSGBFWADA-ST5, 33" vertical x 30" horizontal.

14. Folding Grab Bar, Model Number, Length.

a. DSGBFDSSS1-ST5, 7 1/2" vertical x 31 1/2" horizontal

PART 3 EXECUTION

3.01 EXAMINATION

A. Do not begin installation until substrates finishing operations are completed, including painting.

B. Verify that prepared openings are sized and located in accordance with architects recommendations. Verify that blocking, reinforcement and anchoring devices are the correct type.