

# Tamper Resistant Drain Installation Addendum

for use with all Custom or Standard (non Trench) Receptors

FIG.1

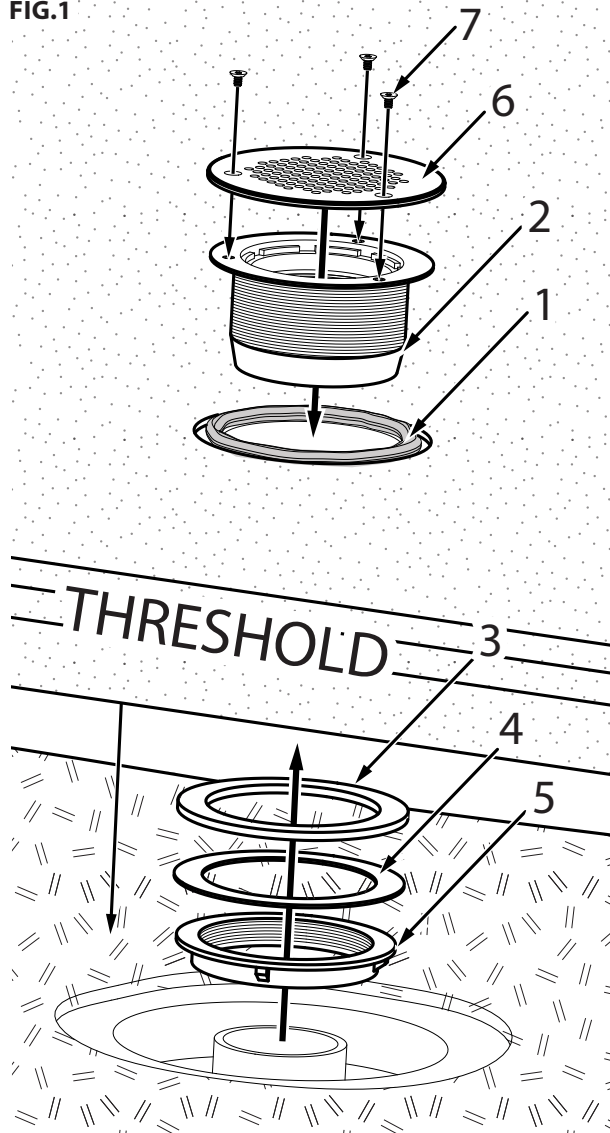
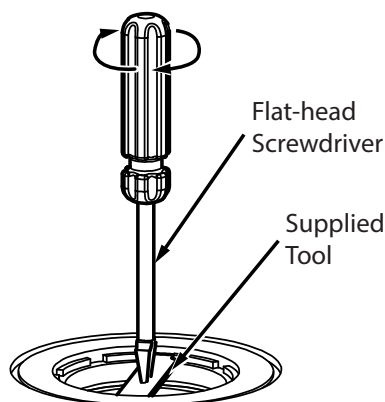


FIG.2



## DRAIN INSTALLATION INSTRUCTIONS

1. Apply a bead of silicone sealant, to the top of the drain recess, to form a water tight seal. *See Figure 1 Item 1.*
2. Insert the drain body (*Figure 1 Item 2*) into the drain opening, apply light pressure to seat the drain body in the bead of silicone sealant.
3. Slide the rubber washer (*Figure 1 Item 3*) and fiber gasket (*Figure 1 Item 4*) onto the end of the drain body that is sticking out of the receptor base.
4. Thread the locking nut (*Figure 1 Item 5*) onto the end of the drain body, tighten the nut to secure the drain assembly to the receptor base.

### Note:

- Do not over tighten the locking nut, this could crack the receptor base.
  - Clean any excess silicone that squeezes out with denatured alcohol and white paper towel or clean rags.
5. Carefully lower the receptor over the 2" (5.08cm) Schedule 40 DWV pipe, and install per the receptor install instructions.

### Note:

- If you **DO NOT** have a 2" (5.08cm) Schedule 40 DWV pipe, you will need a different rubber sleeve compression gasket for the drain assembly. Please contact your local plumbing supplier.
6. Using the supplied tool and a flat-head screwdriver, tighten the compression nut to tighten the compression sleeve onto the drain pipe. *See Figure 2.*
  7. Center the strainer on the drain body and align the screw holes in the strainer with the inserts in the drain body. Secure the strainer with the provided 6-32 x 1/4" tamper resistant flat head machine screws. *See Figure 1 Items 6 & 7.*

IPC.3143/REV.1

ENDURANT® Washroom Systems

inpro.com • 800.222.5556 • 262.679.9010

World Headquarters S80 W18766 Apollo Drive, Muskego, WI 53150 USA

Installation Hotline: 866.394.6776

inpro®