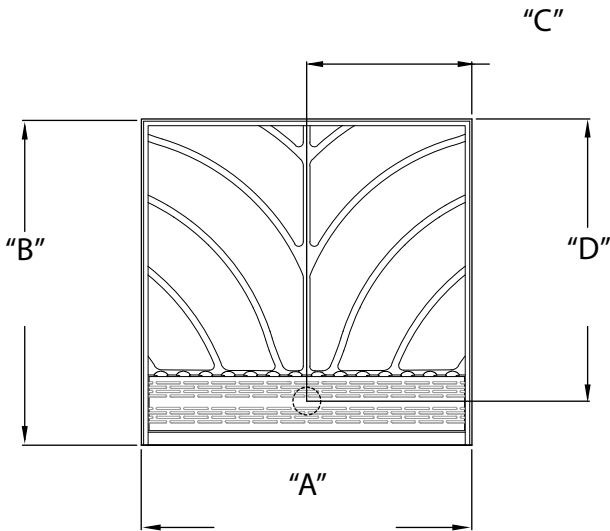


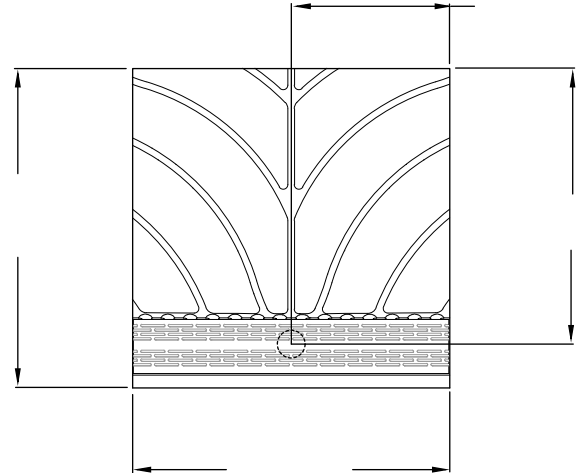
# TRENCH RECEPTOR MEASUREMENT GUIDE - OUTSIDE DIMENSIONS

TAG#:

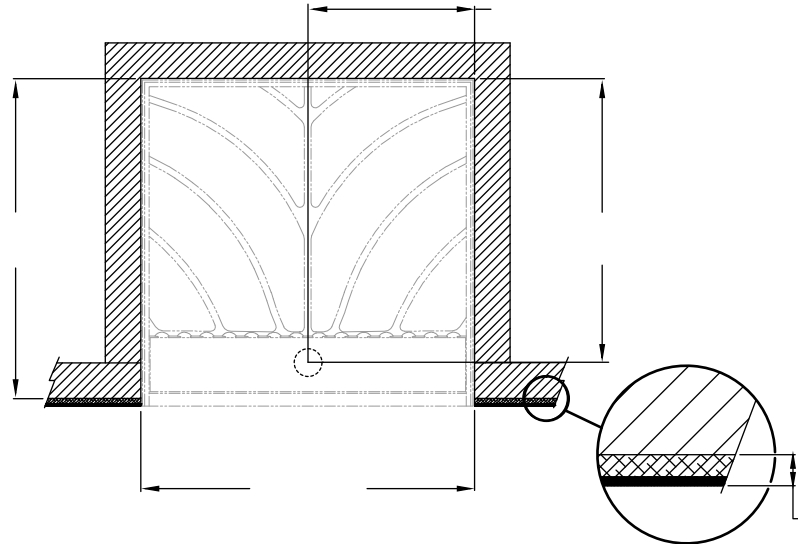
TRENCH RECEPTOR  
OUTSIDE DIMENSIONS



TRENCH RECEPTOR  
INSIDE FINISHED DIMENSIONS  
(1/4" FINISHED WALL THICKNESS & 5/8" SUBSTRATE)



ROUGH OPENING  
DIMENSIONS  
(5/8" SUBSTRATE)



SUBSTRATE &  
FINISHED WALL  
MATERIAL THICKNESS

**DIRECTIONS:**

- INPUT TAG# IF APPLICABLE
- INPUT DESIRED RECEPTOR OUTSIDE DIMENSIONS AND WALL MATERIAL THICKNESS
- RECESS FROM FINISHED FLOOR TO BE 15/16", INCLUDING 1/8" MORTAR BED AND SHIMS
- ALL OTHER VALUES WILL AUTO FILL, ALL DIMENSIONS ARE IN INCHES

IPC.3081REV.1

**Inprocorp.com • 800.222.5556 • 262.679.9010**  
World Headquarters S80 W18766 Apollo Drive, Muskego, WI 53150 USA

**ENDURANT®**  
WASHROOM SYSTEMS  
A DIVISION OF INPRO®

This is an Adobe Acrobat pdf file with dynamic functionality and will only perform as intended in Adobe Reader. Please save the file locally and open using Adobe Reader. If you do not have Adobe Reader please download the latest version and install it before using this form.