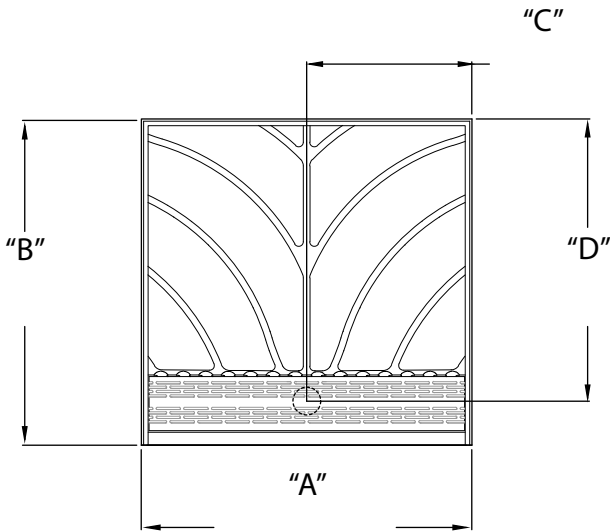


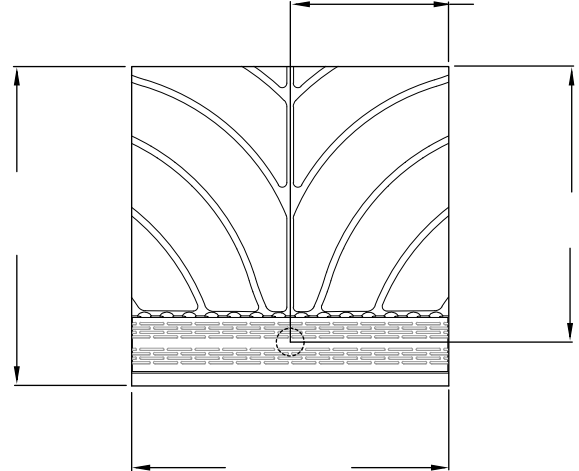
TRENCH RECEPTOR MEASUREMENT GUIDE - ROUGH OPENING DIMENSIONS

TAG#:

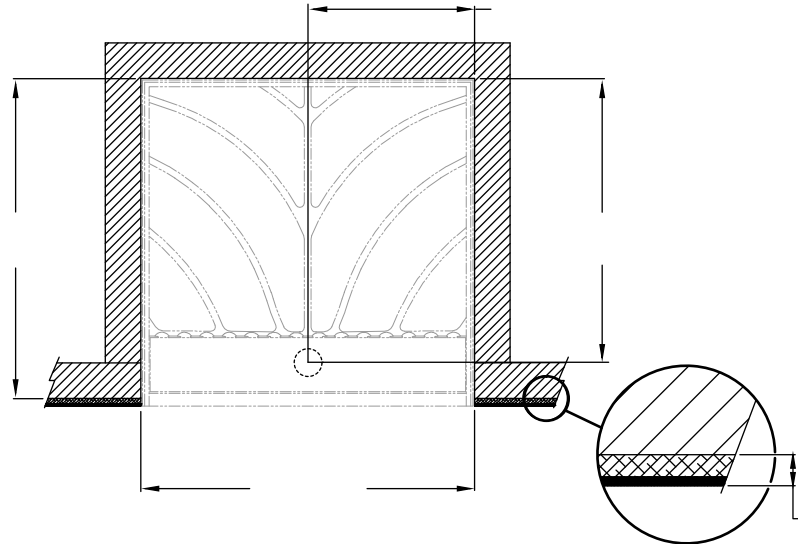
TRENCH RECEPTOR OUTSIDE DIMENSIONS



TRENCH RECEPTOR INSIDE FINISHED DIMENSIONS (1/4" FINISHED WALL THICKNESS & 5/8" SUBSTRATE)



ROUGH OPENING DIMENSIONS (5/8" SUBSTRATE)



SUBSTRATE &
FINISHED WALL
MATERIAL THICKNESS

DIRECTIONS:

- INPUT TAG# IF APPLICABLE
- INPUT DESIRED ROUGH OPENING DIMENSIONS AND WALL MATERIAL THICKNESS
- RECESS FROM FINISHED FLOOR TO BE 15/16", INCLUDING 1/8" MORTAR BED AND SHIMS
- ALL OTHER VALUES WILL AUTO FILL, ALL DIMENSIONS ARE IN INCHES

IPC.3018/REV.2

Inprocorp.com • 800.222.5556 • 262.679.9010

World Headquarters S80 W18766 Apollo Drive, Muskego, WI 53150 USA

ENDURANT® •

WASHROOM SYSTEMS
A DIVISION OF INPRO®