

Installation Instructions

JOS-Wall200

Read all installation instructions before installing product. If retrofitting a parking area, always use cones, barrels or other means to secure the area and alert motorists. Confirm installation height meets local building codes, if any apply.

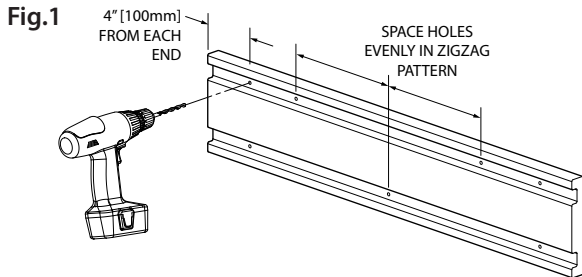


Figure 1

1. Lay wall guard flat on a level surface. Mark hole locations in the recessed grooves. Mark first set of holes 4" [100mm] from the edge in both, the top and bottom grooves of the wall guard. Repeat for the end of the wall guard. Space the rest of the holes evenly in a zigzag pattern down the length of the wall guard.
2. Drill pilot holes through the wall guard using a 3/8" [9.5mm] drill bit.

NOTE: If corner guard uses the optional yellow high visibility strip, drill the corresponding hole locations centered on the strip. A counter sink may be required to get screw head flush with yellow strip.

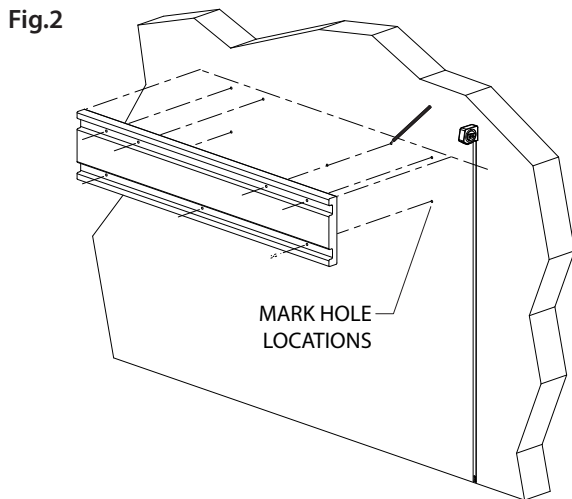


Figure 2

3. Position wall guard at the appropriate position on the wall. Using pre-drilled pilot holes, mark hardware locations on the wall.

Figure 3

4. Drill the marked hole locations using a 3/8" [9.5mm] drill bit. Make sure holes are clean and free of debris and dust, blow out holes with compressed air if required.

Figure 4

5. Return wall guard to position on the wall, secure in place using 3/8" x 4" [100mm] Concrete Sleeve anchors found in hardware pack JK183. Ensure screw heads are flush or slightly embedded.

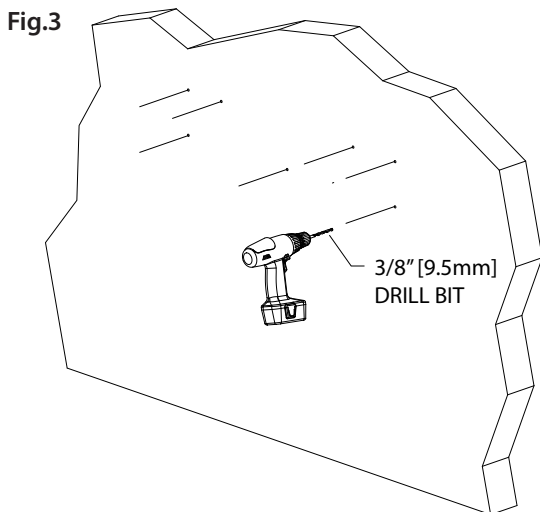
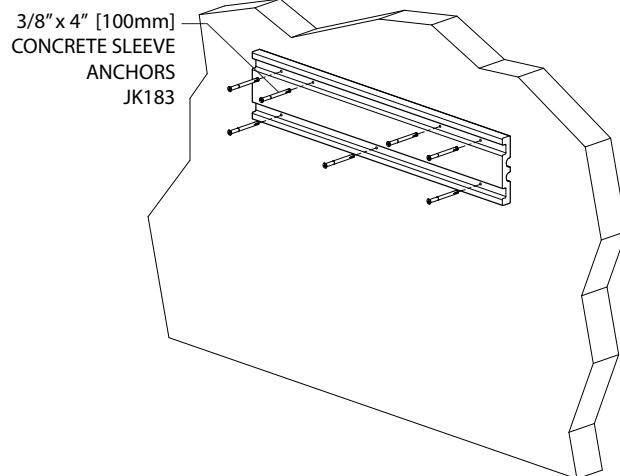


Fig.4



IPC.1611/REV.1