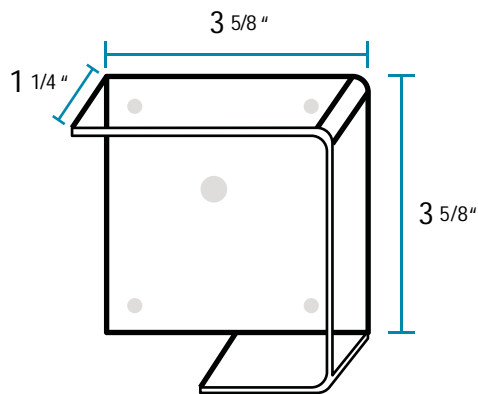
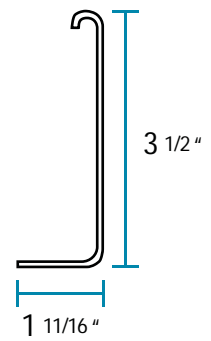


Bracket Plate



End Cap



Fascia Front

CLICKEZE®
 PRIVACY SYSTEMS

DATE:10/19/2016

SCALE

DOC.CADCZ.053/rev2

WEBBGLIDE™-
 PLASTIC VALANCE

inpro®