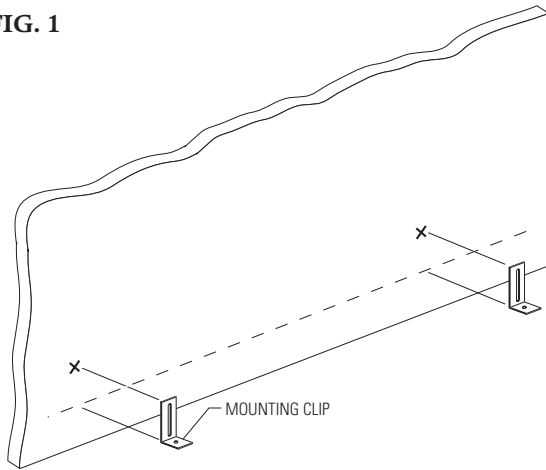


Installation Instructions

EverWhite Framed Dry Erase Boards

FIG. 1



Please read all instructions before installing dry erase board. Material must be stored, installed and used in environmentally controlled conditions.

Install EverWhite dry erase boards level and plumb and at the height indicated on shop drawings.

Installation with mounting clips.

1. Snap a level chalk line at the required height of the chalk tray. Using a mounting clip as a template, align the bend of the clip on the chalk line and mark the top of the slot in the mounting clip on the wall. See Figure 1.

2. Drill a 1/4" hole at each location and pound the included anchors flush with the wall surface. Attach the bottom clips to the wall with the #10 x 1-1/4" sheet metal screws making sure all clips are level. See Figure 2.

3. Place the marker board on the bottom clips and move the sides of the board into the required position. Mark the sides and the top of the board. Remove the marker board from the bottom clips. See Figure 3.

FIG. 2

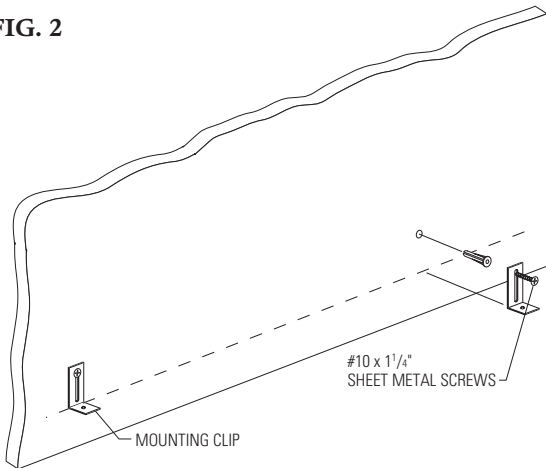
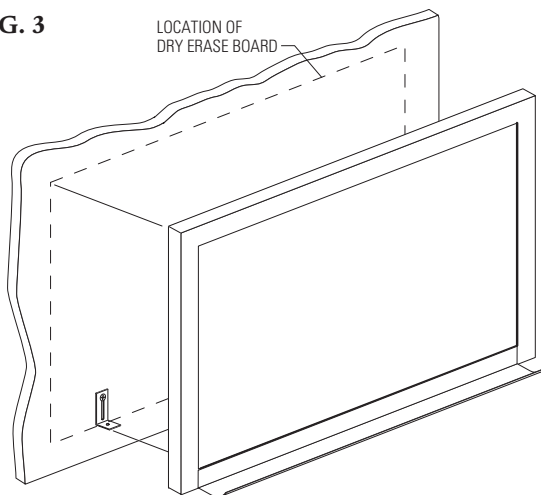


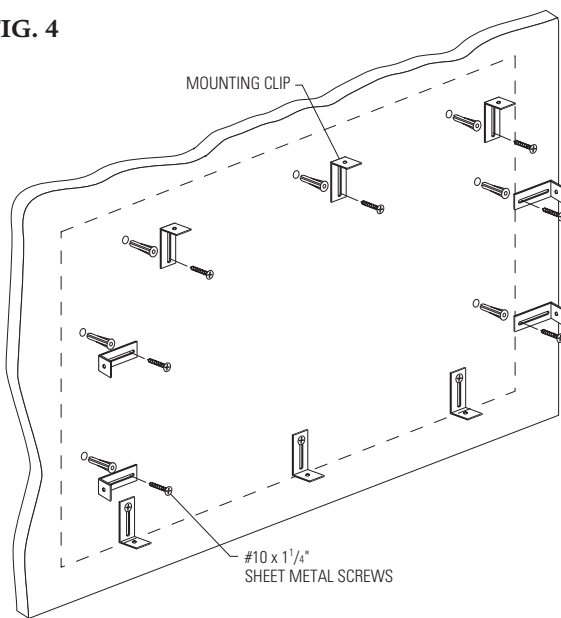
FIG. 3



Installation Instructions

EverWhite Framed Dry Erase Boards

FIG. 4



4. Drill 1/4" holes 1" in from top and side edge marks. Hammer the anchors into these holes, flush to the surface. Attach the remaining clips outside the marks and tighten them. See Figure 4.

5. Apply six 3" circles of construction adhesive on the back of an 8' board and ten 3" circles on the back of a 12' board. Lift the board onto the lower clips. Hammer the side and top clips tight against the frame. Using #10 x 3/4" self-tapping screws attach the clips to the board. Install the side clips first, followed by the bottom clips and complete the installation by fastening the top clips. See Figure 5.

FIG. 5

