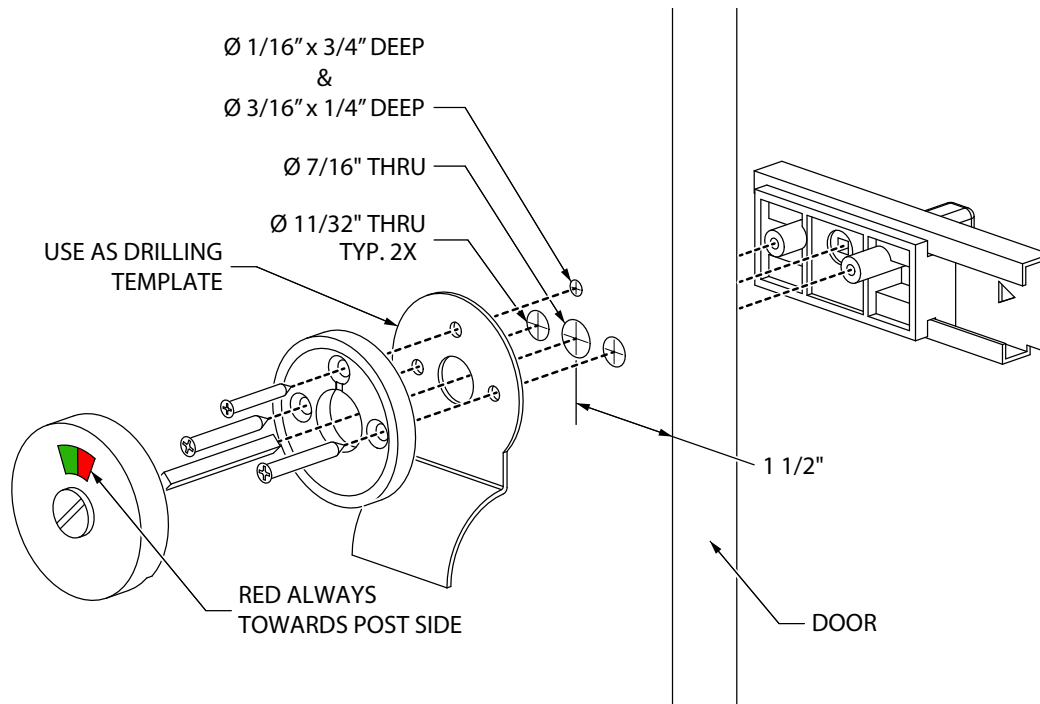


Emergency Access Indicator Latch

Toilet Partition Install Addendum

INSTALL ADDENDUM TO BE USED FOR EMERGENCY ACCESS INDICATOR LATCH ONLY

FIG. 1



Step 1 - Installing Emergency Access Indicator Latch Slide

1. Position the stainless steel backer plate on the wall at the desired height. Position the center hole 1 1/2" from the edge of the door.
2. Transfer the hole locations from the backer plate to the door.
3. Drill a 7/16" diameter hole through the door at the center hole location.
4. Drill 11/32" diameter holes through the door at both of the hole locations next to the center hole.
5. Drill a 1/16" diameter pilot hole 3/4" deep at the top hole location.
6. Drill a 3/16" diameter clearance hole 1/4" deep at the top hole location.
7. Position the slide body on the back side of the door, line up the built in posts with the outside holes in the door.
8. Place the backer plate and indicator retainer plate on the front side of the door and line them up with the holes in the door.
9. Insert the two longer screws into the side holes in the backer plate and indicator retainer plate and line them up with the holes in the slide body.
10. Tighten the screws to secure the backer plate, retainer plate, and slide body to the door.
11. Screw the shorter screw into the top hole.
12. Insert the key into the middle hole lining it up with the mating part in the slide body.
13. Line up the key with the indicator body, ensure that when the slide is in the locked position that the red indicator is showing and that when the slide is retracted that the green indicator is showing.
14. Snap the indicator body onto the retainer plate.

IPC.3110/REV.1

ENDURANT® Washroom Systems

inpro.com • 800.222.5556 • 262.679.9010

World Headquarters S80 W18766 Apollo Drive, Muskego, WI 53150 USA

inpro®

Emergency Access Indicator Latch

Toilet Partition Installation Addendum

FIG. 2A

Ø 1/8" x 3/4" DEEP
&
Ø 17/64" x 1/4" DEEP
TYP. 2X

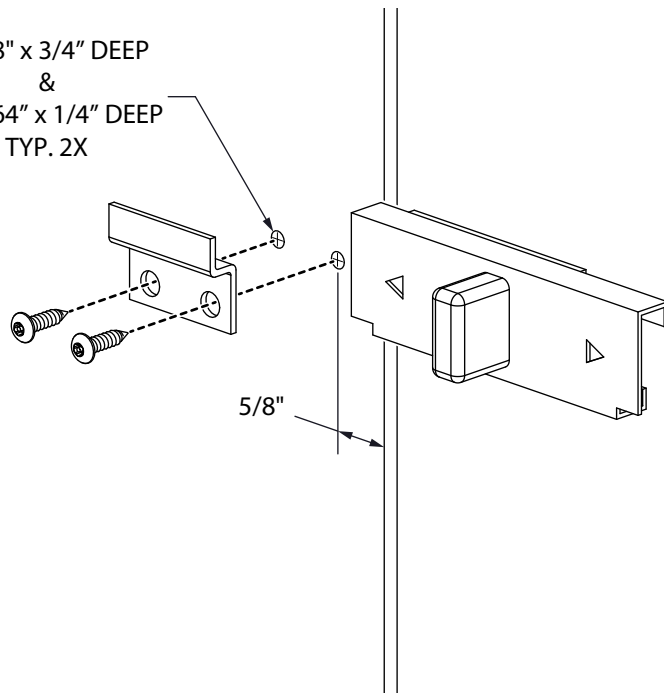
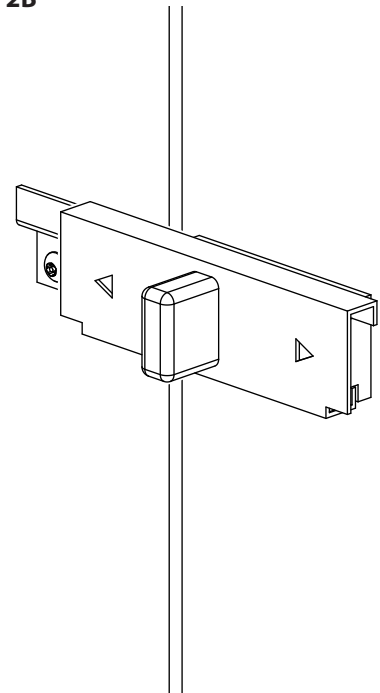


FIG. 2B



Step 2 - Installing Emergency Access Indicator Latch Keeper

15. Position the stainless steel keeper plate on the pilaster, align the top of the keeper plate with the inside of the slide as shown in *Figure 2B*.
16. Position the right hole in the keeper 5/8" from the edge of the pilaster. *See Figure 2A*.
17. Using the keeper as a template mark both hole locations.
18. Drill a 1/8" diameter pilot hole 3/4" deep at each location.
19. Drill a 17/64" diameter clearance hole 1/4" deep at each location.
20. Attach the keeper to the pilaster with the provided pin-in torx screws.

Note:

- A locked stall may be accessed by inserting a thin profiled object such as a quarter or key head into the slot in the indicator and turning the indicator which will move the slide.