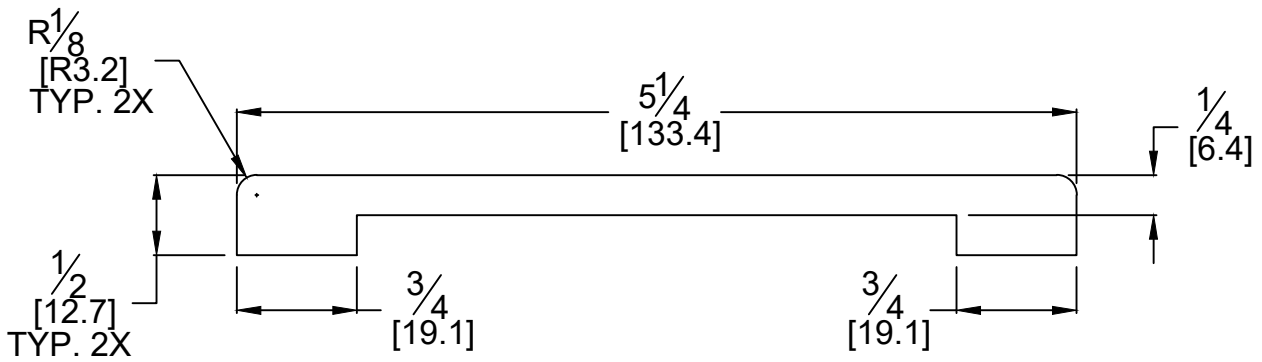
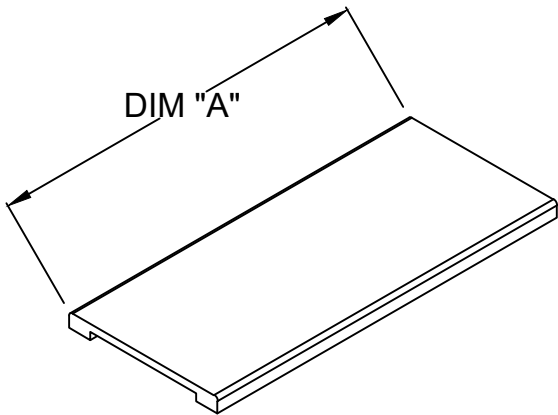


DIM "A"
58" [1473.2]
64" [1625.6]
72" [1828.8]
84" [2133.6]



DATE: 03/18/2019

SCALE: NTS

DOC.CADEN.104/rev 1

BIOPRISM® SOLID SURFACE
U-SHAPED PARTITION TRIM

