

Installation Instructions

Optitrac and Ultra Cube Safety Loading Unit

FIG. 1a

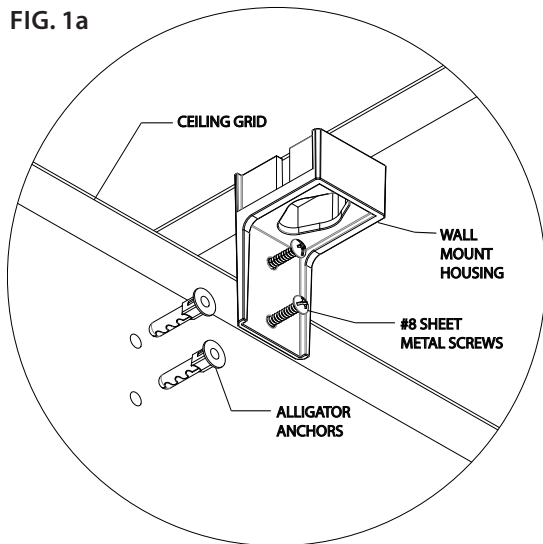
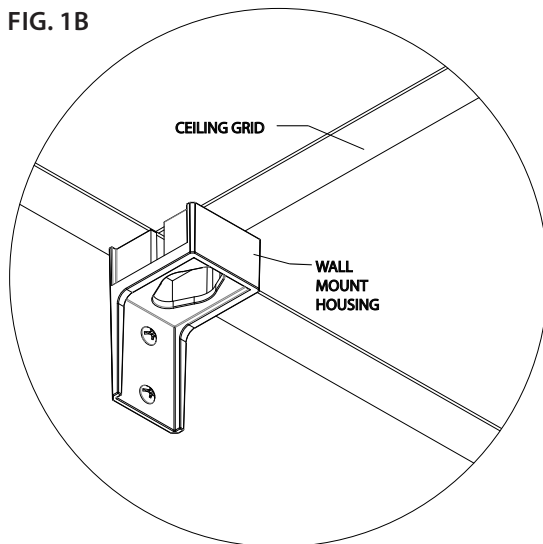


FIG. 1B



Note: Illustrations show installation on an acoustical ceiling. Use appropriate fasteners for other ceiling types. When installing on a drywall ceiling, fasten safety loading unit hinge into the ceiling structure.

Wall Mount Installation

1. Determine the track layout.
2. Attach the wall mount housing to the wall just below the ceiling. (see figure 1a and 1b)
3. Lift the Safety Loading Unit to the ceiling and insert the red lock into the housing. (see figure 2a) Engage the lock by turning it 90° (see figure 2b).

FIG. 2a

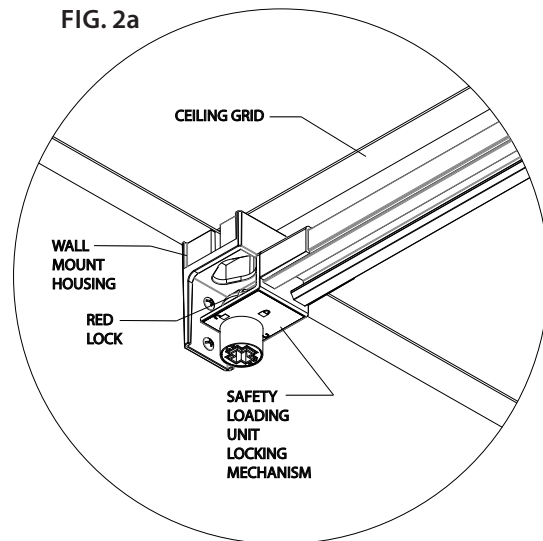
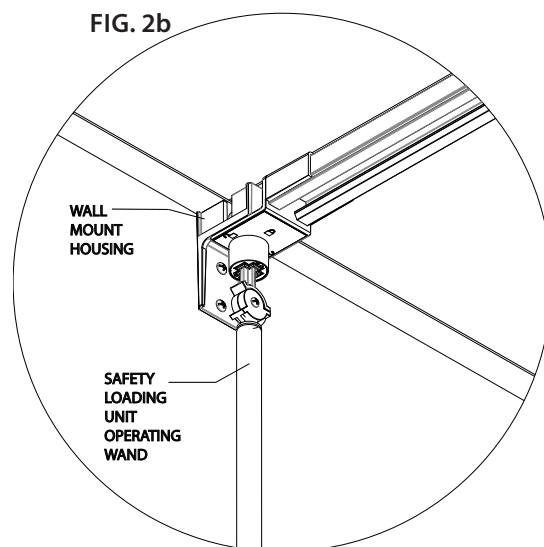


FIG. 2b

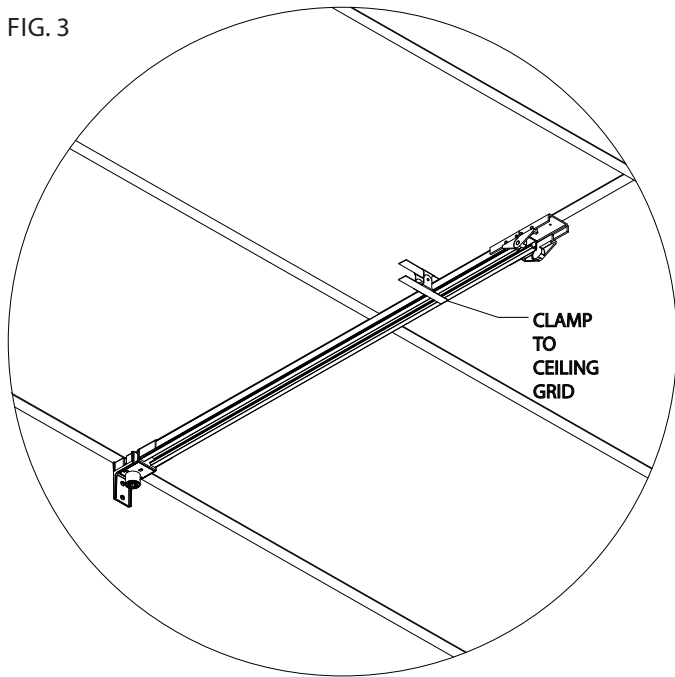


IPC.519/REV.7

Installation Instructions

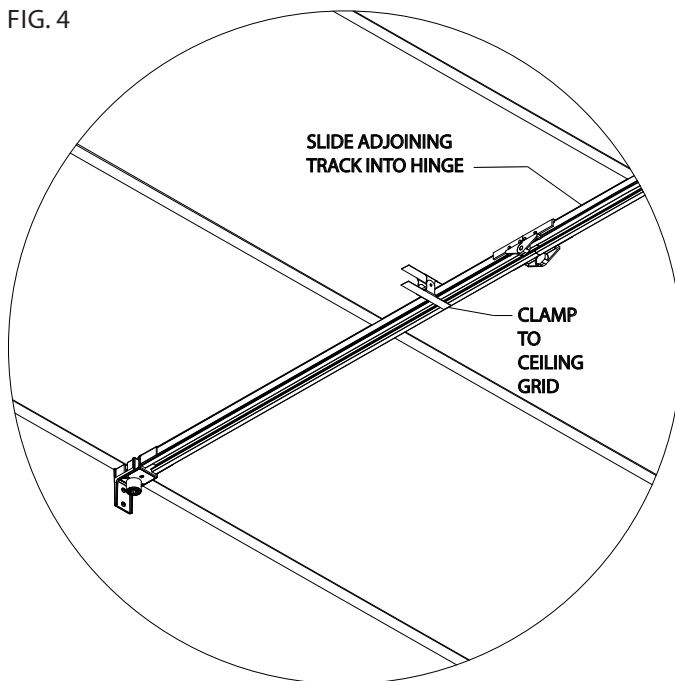
Optitrac and Ultra Cube Safety Loading Unit

FIG. 3



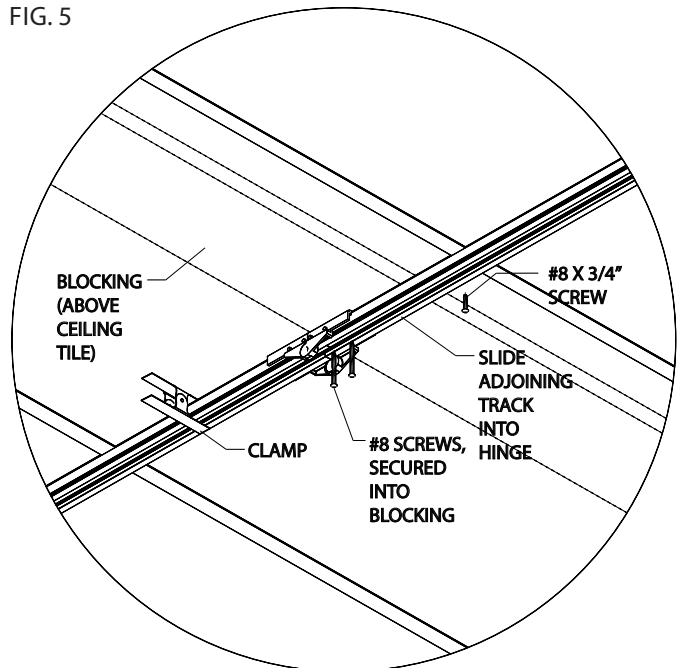
4. Hold or clamp the Safety Loading Unit to the ceiling (see figure 3). Connect it to the adjoining track section by sliding the track into the hinge of the safety loading unit (see figure 4).

FIG. 4



5. Screw that section of track to the ceiling with a #8 screw. When securing the track use metal or wood blocking above the suspended ceiling (see figure 5) or into the ceiling structure (drywall ceiling).
6. Screw the track to the hinge using two #8 x 3/4" sheet metal screws.
7. Continue the track installation by splicing and attaching the track to the ceiling as needed.

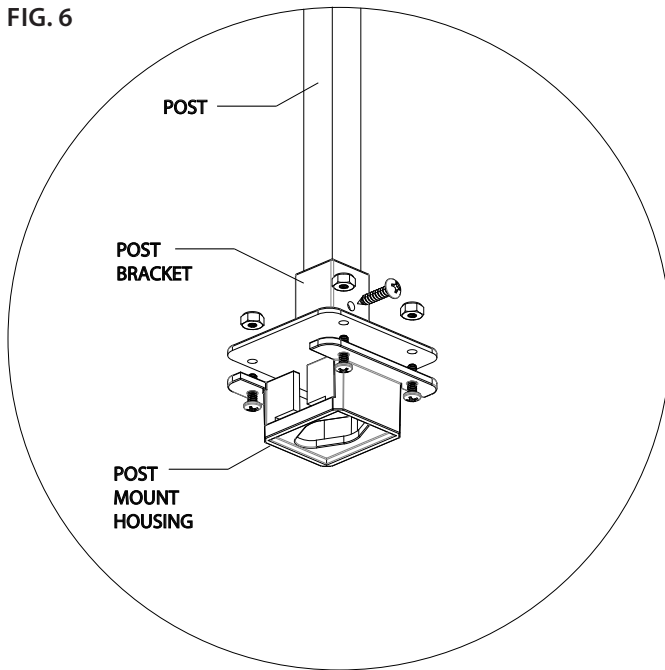
FIG. 5



Installation Instructions

Optitrac and Ultra Cube Safety Loading Unit

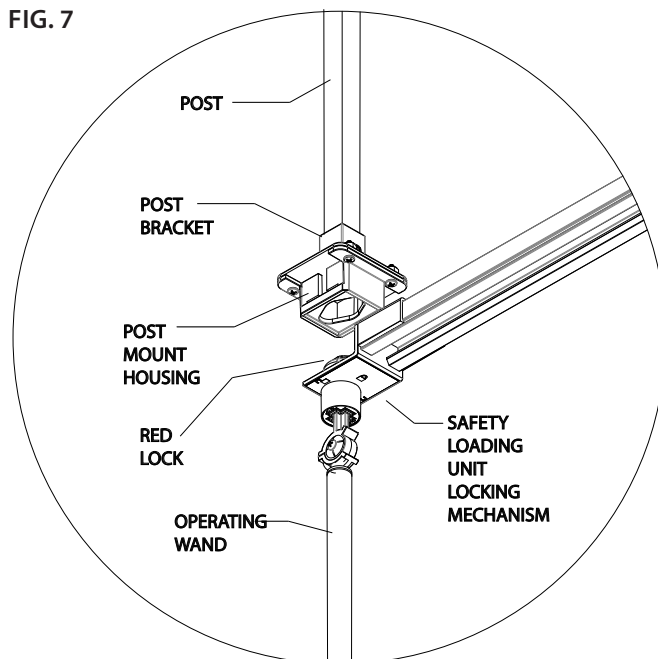
FIG. 6



Post Mount Installation

1. Determine the track layout. A post support will be required where the unit locks and 4" from the hinge. Space post supports for the rest of the track 24" on center. Attach Hard Ceiling Support Brackets to the ceiling structure.
2. Cut and attach posts to the brackets.
3. Slide the track bracket on the track sections.
4. Bolt the post bracket and safety loading unit post housing together. Attach this assembly to the bottom of the post where the Safety Loading Unit will lock (see figure 6).
5. Slide the adjoining track section into the hinge and fasten it to the hinge with 2 #8 x 3/4" sheet metal screws.
6. Lift the Safety Loading Unit to the housing. Engage the lock by turning it 90° (see figure 7).
7. Connect the bracket of the adjoining track section to the post.
8. Continue the track installation by splicing and attaching the track to the posts as needed.

FIG. 7



Operation

1. Bring the curtains and carriers to the lock side of the hinge.
2. Insert the tip of the wand into the cross shaped opening on the bottom of the safety loading unit lock.
3. Turn the wand 90° to disengage the track from the housing.
4. Slowly bring the safety loading unit down from the ceiling and remove the wand once you can hold the track.
5. Remove curtain from the carriers and replace with a clean curtain.
6. Lift the track up and insert the wand into the bottom of the lock unit.
7. Continue lifting and insert the lock into the housing.
8. Turn the wand 90° until you here a click indicating the lock is in place.