

Installation Instructions

Ultra and Whisper Cube® Curtain Tracks

FIG. 1

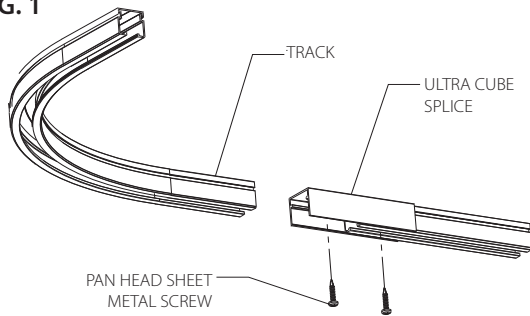


FIG. 2

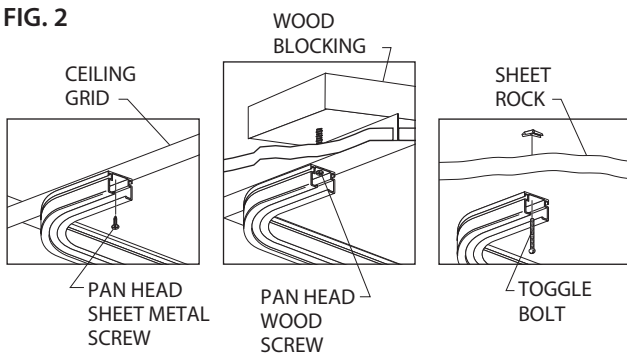


FIG. 3

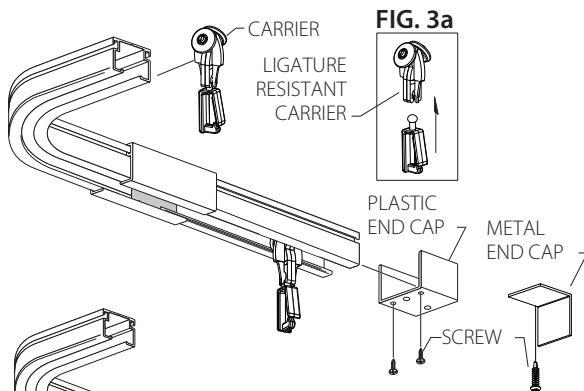
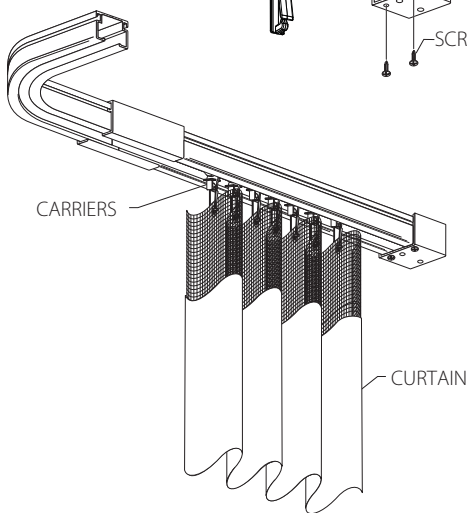


FIG. 4



Note: Verify the drop ceiling is installed and functioning properly before installing track.

1. Layout track sections on the floor. Join bends to straight sections of track with a splice. Attach splice to track with sheet metal screws. Trim track sections as required by layout. (See Figure 1)

2. Attach the track assembly to the ceiling with one of the following methods:

Option 2a. On a ceiling grid, attach with sheet metal screws at each grid.

Option 2b. With wood blocking[†], attach with pan head wood screws through the ceiling tile and into the blocking.

Option 2c. On sheet rock, attach with toggle bolt assemblies through the sheet rock.

With all methods, fasteners should be spaced 24". (See Figure 2)

3. Slide the carriers on the track and attach end caps (plastic or metal) on the open ends.

Option 3a. If using the Ligature Resistant* Carrier:

1. Snap carrier onto body.

2. Place carrier hooks into curtain grommets. Lock carriers into place.

3. Slide carriers on the track. (See Figure 3)

* While these products are designed for behavioral health applications, they do not guarantee patient safety.

4. Attach curtains to the carriers. (See Figure 4)

† Check your local fire codes for maximum amount of wood allowed when using wood blocking.

IPC.515/REV.8